

# TS

D-Sub connectors - Stamped and Formed Contacts



## STRAIGHT PCB TERMINATION ONE METAL SHELL CONNECTORS

CHARACTERISTICS

### Specifications

- Connectors according to MIL C24308

Materials and Platings	
<b>Shells</b>	Steel with nickel plating
<b>Insulator</b>	Glass-filled thermoplastic, UL 94V-0
<b>Contacts</b>	Copper alloy, selective gold plating
<b>Boardlock</b>	Brass with nickel plating
<b>Screwlock</b>	Brass with nickel plating

Electrical Data	
<b>Current rating</b>	5A
<b>Voltage rating</b>	600V AC/rms 50Hz
<b>Withstanding voltage</b>	1000V AC/rms 50Hz for one minute
<b>Insulation resistance</b>	5000MΩ
<b>Contact resistance</b>	10mΩ max

Climatic Data	
<b>Operating temperature</b>	-55°C to +125°C

Mechanical Data		
<b>Mating and unmating force</b>		
Unit: kg ( lb)		
No. of Cts	Mate (max)	Unmate (min)
9	3.05 (6.74)	0.36 (0.79)
15	5.09 (11.24)	0.46 (1.01)
25	8.44 (18.66)	0.81 (1.8)
37	12.51 (27.65)	1.1 (2.47)
<b>Standard plating thicknesses</b>		
<ul style="list-style-type: none"> <li>• gold flash</li> <li>• 0.4µm (15µ") gold</li> <li>• 0.76 µm (30µ") gold</li> </ul>		

DESCRIPTION

The one shell D-sub Amphenol series features, stamped and formed contacts.

This series gives you Amphenol's high standards of quality and reliability to meet all of your commercial requirements

*Economical  
straight PCB,  
one shell  
connectors*

APPLICATIONS

- Industrial
- Telecom
- Any industry standard I / O connections



**Amphenol**

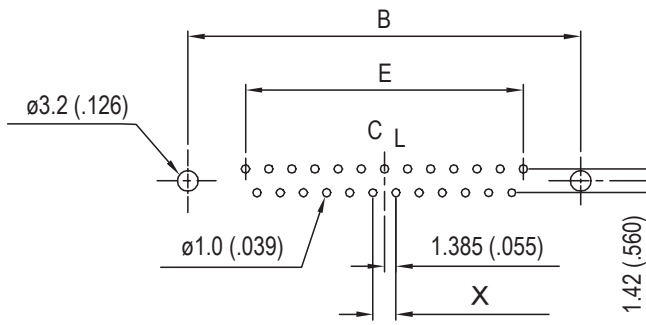
TS / E10

# Shell Size Dimensions



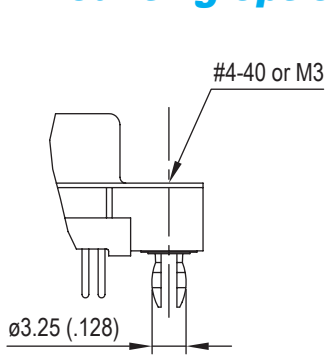
\*see chart "how to order"

## RECOMMENDED P.C.B. LAYOUT

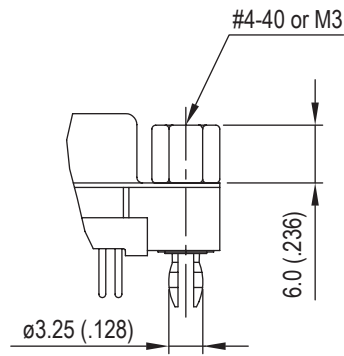


Nb OF CONTACTS	DIMENSIONS mm (inch)					
	A	B	C	D	E	X
9	30.84 (1.21)	24.99 (.984)	16.92 (.666)	16.26 (.640)	11.08 (.436)	2.74
15	39.24 (1.54)	33.32 (1.31)	25.25 (.994)	24.56 (.967)	19.39 (.763)	2.74
25	53.04 (2.09)	47.04 (1.85)	38.96 (1.53)	38.30 (1.51)	33.24 (1.31)	2.77
37	69.34 (2.73)	63.50 (2.50)	55.42 (2.18)	54.76 (2.16)	49.86 (1.96)	2.77

## Panel mounting option



Boardlock with Threaded Insert  
**RM5**



Boardlock with Front Screwlock  
**RM8**



Clear Hole



Rear Insert Threaded

## How to order

**L    ...    TS    ...    ...    ...    ...    ...    ...    C309**

RoHS Compliant		<p><b>plating option:</b> valid only for <b>0.76<math>\mu</math>m (30<math>\mu</math>)</b></p> <p>part numbers to be written as follow:</p> <p>77.....C309 or 717.....C309</p>
gold flash	<p>77: tinned shell for receptable</p> <p>717: tinned shell + dimples for plug</p>	
0.4 $\mu$ m (15 $\mu$ )	<p>177: tinned shell for receptable</p> <p>777: tinned shell + dimples for plug</p>	<p><b>board mounting options:</b> <b>Blank</b> = Clear Hole <b>RM5</b> = retention clip <b>RM8</b> = retention clip +front screwlock</p>
shell size: E, A, B, C		
<p><b>mounting options:</b> <b>Blank</b> = Clear Hole <b>G</b> = M3 <b>H</b> = 4.40 <b>H,G</b> must also be used to specify the threading of RM5 or RM8 grounding tabs</p>		<p><b>termination:</b> <b>OL2</b> : L = 6.02mm (.237") <b>OL2C</b> : L = 11.48mm (.452")</p>
<p><b>configuration: 09, 15, 25, 37</b></p>		<p><b>contact type:</b> <b>P</b> = pin <b>S</b> = socket</p>

*For special request, please consult factory*

