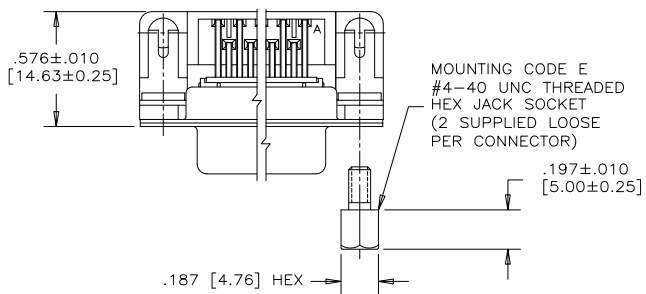
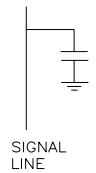


| REVISIONS | | | |
|-----------|-----------------------------|---------|--------|
| REV | ECN, ERN NO. | DATE | APPRD. |
| G | PRODUCT DRAWING (EAR 14498) | NOV9/16 | K.L. |



CAPACITANCE SCHEMATIC FOR EACH POSITION



ORDERING CODE: F C E 1 7 - E 0 9 S B - 4 E 0 G

SERIES
FCE17=FILTERED D=SUB, RoHS

SIZE/NUMBER OF CONTACTS
E09, A15, B25, OR C37

CONNECTOR STYLE
P=PIN
S=SOCKET

TERMINATION TYPE
B=.405" [10.29] FOOTPRINT

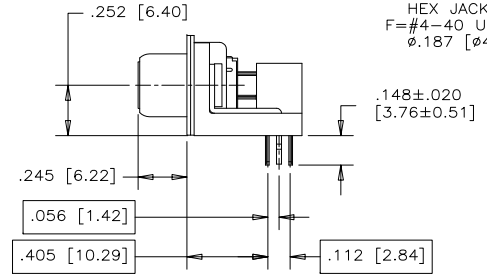
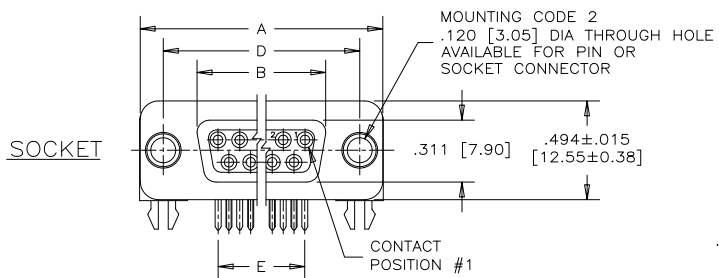
MOUNTING
2=.120 [3.05] DIA THROUGH HOLE
3=#4-40 UNC SELF-LOCKING THREAD
4=#4-40 UNC THREAD
6=M3 x 0.5 THREAD
E=CODE 4 MOUNTING WITH #4-40 UNC HEX JACK SOCKET SUPPLIED.
F=#4-40 UNC THREAD IN ϕ .187 [4.75] FIXED JACK SOCKET

CONTACT FINISH/GOLD THICKNESS
NO DIGIT=STANDARD 15 MICROINCHES [0.38 MICRONS] GOLD ON MATING AREA
G=50 MICROINCHES [1.27 MICRONS] GOLD ON MATING AREA

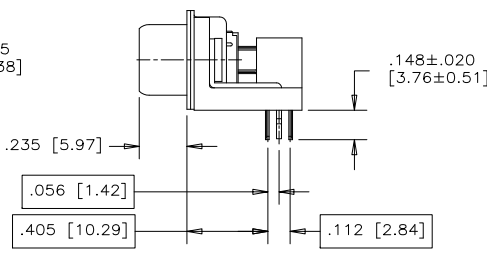
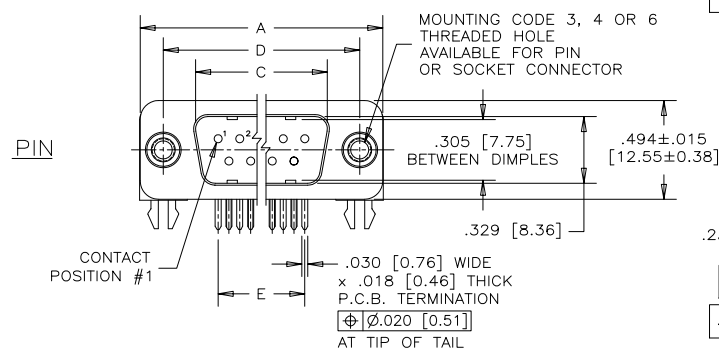
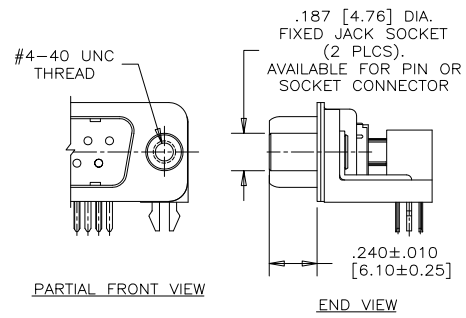
MODIFIER
0=STANDARD

FILTER CAPACITANCE
D=50 pF 5=1000 pF
B=100 pF 7=1200 pF
O=180 pF 6=1300 pF
F=330 pF J=1500 pF
L=380 pF E=2200 pF
1=470 pF 9=5600 pF
4=820 pF 8=47000 pF
N=NO FILTERS

REFER TO AMPHENOL CATALOGUE FOR FILTER PERFORMANCE CHARACTERISTICS



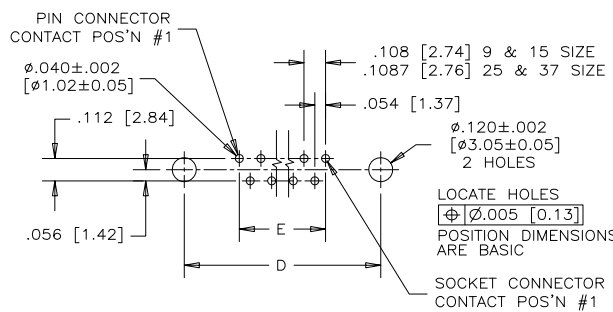
CODE "F" MOUNTING OPTION



| SIZE | STYLE | A±.015 [0.38] | B±.005 [0.13] | C±.005 [0.13] | D±.005 [0.13] | E BSC. |
|------|--------|---------------|---------------|---------------|---------------|---------------|
| E09 | PIN | 1.213 [30.81] | ----- | .666 [16.92] | .984 [24.99] | .432 [10.97] |
| | SOCKET | ----- | .643 [16.33] | ----- | ----- | ----- |
| A15 | PIN | 1.541 [39.14] | ----- | .994 [25.25] | 1.312 [33.32] | .756 [19.20] |
| | SOCKET | ----- | .971 [24.66] | ----- | ----- | ----- |
| B25 | PIN | 2.088 [53.04] | ----- | 1.534 [38.96] | 1.852 [47.04] | 1.304 [33.12] |
| | SOCKET | ----- | 1.511 [38.38] | ----- | ----- | ----- |
| C37 | PIN | 2.729 [69.32] | ----- | 2.182 [55.42] | 2.500 [63.50] | 1.956 [49.68] |
| | SOCKET | ----- | 2.159 [54.84] | ----- | ----- | ----- |

NOTES:

- MATERIALS: ALL MATERIALS ARE RoHS COMPLIANT.
 - SHELL: STEEL, TIN PLATED
 - CONTACTS: PHOSPHOR BRONZE, GOLD PLATED OVER 50µ" [1.27 MICRONS] NICKEL IN THE MATING AREA AND 100µ" [2.54 MICRONS] MIN. MATTE TIN ON THE TAILS.
 - INSULATOR: ENGINEERING THERMOPLASTIC, GLASS REINFORCED, UL FLAMMABILITY RATING 94V-0, COLOUR: BLACK
 - BOARDLOCK: COPPER ALLOY, TIN PLATED
 - MOUNTING HARDWARE, STEEL OR COPPER ALLOY, TIN OR NICKEL PLATED.
- CONTACT RESISTANCE: 15 MILLIOHMS MAXIMUM
- INSULATION RESISTANCE: 3000 MEGOHMS MINIMUM
- CURRENT RATING: 5 AMPS MAXIMUM
- OPERATING TEMPERATURE: -40°C TO 85°C
- TOLERANCE ±.005 [0.13] UNLESS INDICATED OTHERWISE.



RECOMMENDED P.C.B. LAYOUT (COMPONENT SIDE OF BOARD)

| | |
|-------------------------------|--------------------|
| DRAWN S.BUENAVIDES | DATE DEC19/05 |
| DESIGNED | |
| CHECKED K.LAMBIE | DEC20/05 |
| I. E. APPRD. | |
| Q. A. APPRD. | |
| DWG. APPRD. | |
| ENG. REL. NO. | |
| REF. EAR 12892 | |
| DIMENSIONS ARE IN INCHES [mm] | CODE ID. NO. 03554 |

Amphenol Canada Corp.

FCE17 SERIES FILTERED D-SUB CONNECTOR, PIN & SOCKET, RIGHT ANGLE .405 [10.29] F/P, PLASTIC BRACKET & BOARDLOCK, RoHS COMPLIANT

DWG C DRAWING NO. P-FCE17-XXXXB-XXOX REV. G

SCALE 2/1 WT. ----- SURF. ----- SHEET 1 of 1