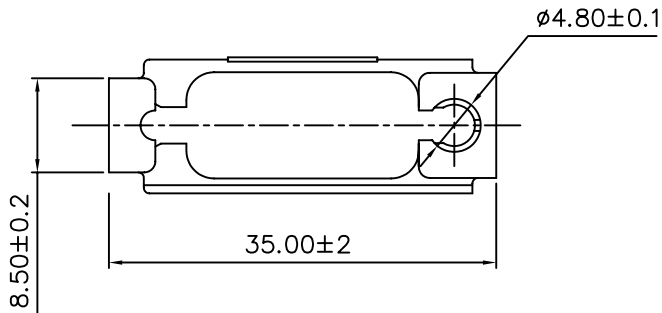
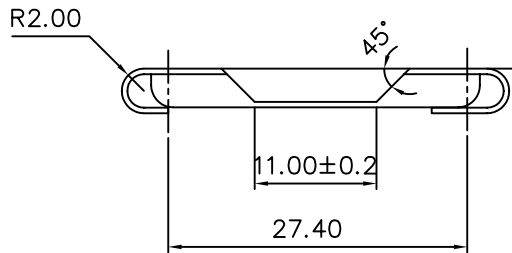
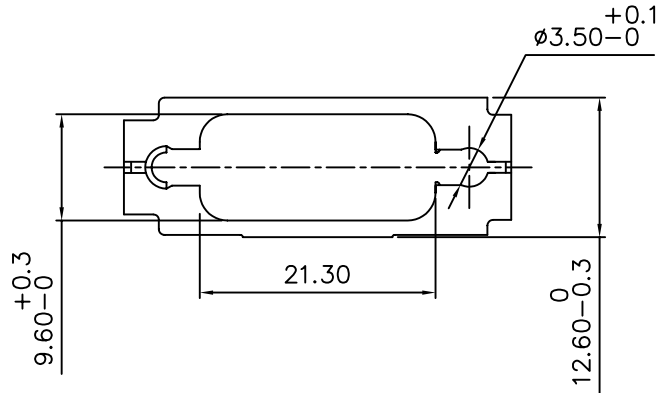
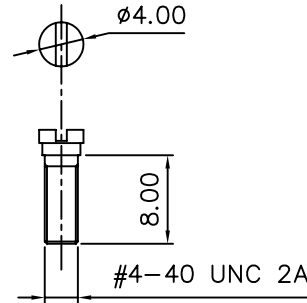


This document is the property of Amphenol Corporation and is delivered on the express condition that it is not to be disclosed, reproduced or used, in whole or in part, for manufacture or sale by anyone other than Amphenol Corporation without its prior consent, & that no right is granted to disclose or to use any information in this document.

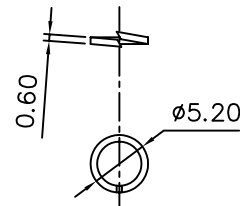
4J29209
BRACKET



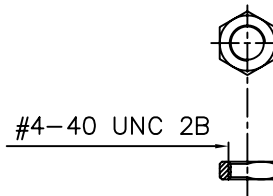
4J29111
SCREWLOCK



4G96511
LOCK WASHER



4G96611
NUT



REVISIONS

SYM	ECN	DESCRIPTION	DATE	APPROVED
1			07/03/08	

D-SUB TECHNICAL DATA

Material and finish:

Bracket: Stainless steel, t=0.60±0.02mm, passivation over all

Screwlock: Steel, 100u" tin over 50u" nickel

Lock washer: XC35, 100u" tin over 50u" nickel

Nut: Steel, 100u" tin over 50u" nickel

Package:

1 P/N= 1 set

Bracket: 1pcs

Screwlock: 2pcs

Lock washer: 2pcs

Nut: 2pcs

Marking:

Amphenol...(Series No.) Commercial reference

Manufacturing date



Customer drawing

UNLESS OTHERWISE SPECIFIED TOLERANCES		APPROVAL		DATE
U.S.	METRIC	DRAWN	Myg.ma	07/03/08
.X +/-	0.20	CHECKED	kk.wang	07/03/08
.XX +/-	0.10	CHECKED		
.XXX +/-	0.05			
FRACTIONS +/-				
ANGLES +/-	5°			
FOR MATERIALS AND FINISHES SEE NOTES		DRAWING FILE :		
REMOVE SHARP EDGES		ANGLE OF PROJECTION		
DIMENSIONS				
U.S.	INCHES			
METRIC	MM			

Amphenol®		
TITLE		
Bracket+Screwlock+Lock washer+Nut		
SIZE	DRAWING NO.	REV.
A4	C L17D512241	1
SCALE	NONE	SHEET 1 OF 1