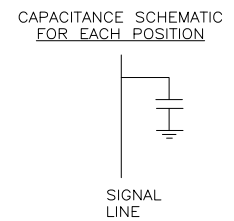
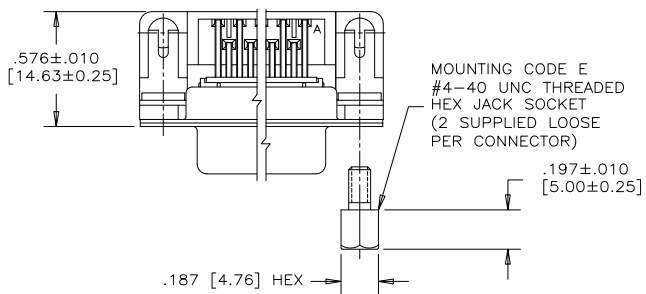


REVISIONS			
REV	ECN, ERN NO.	DATE	APPRD.
G	PRODUCT DRAWING (EAR 14498)	NOV9/16	K.L.



ORDERING CODE: **F C E 1 7 - E 0 9 S B - 4 E 0 G**

SERIES: FCE17=FILTERED D=SUB, RoHS

SIZE/NUMBER OF CONTACTS: E09, A15, B25, OR C37

CONNECTOR STYLE: P=PIN, S=SOCKET

TERMINATION TYPE: B=.405" [10.29] FOOTPRINT

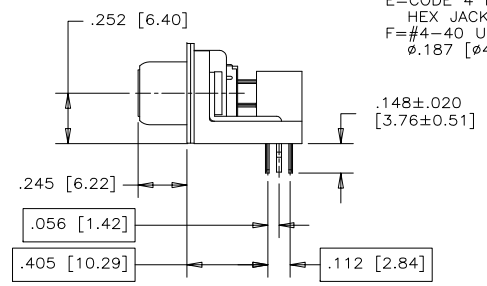
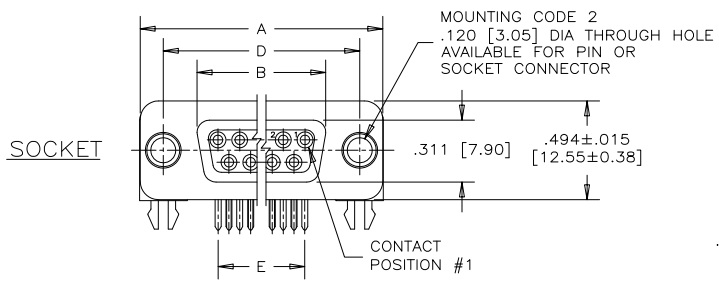
MOUNTING: 2=.120 [3.05] DIA THROUGH HOLE, 3=#4-40 UNC SELF-LOCKING THREAD, 4=#4-40 UNC THREAD, 6=M3 x 0.5 THREAD, E=CODE 4 MOUNTING WITH #4-40 UNC HEX JACK SOCKET SUPPLIED, F=#4-40 UNC THREAD IN Ø.187 [Ø4.75] FIXED JACK SOCKET

CONTACT FINISH/GOLD THICKNESS: NO DIGIT=STANDARD 15 MICROINCHES [0.38 MICRONS] GOLD ON MATING AREA, G=50 MICROINCHES [1.27 MICRONS] GOLD ON MATING AREA

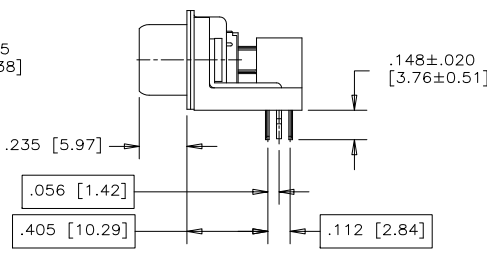
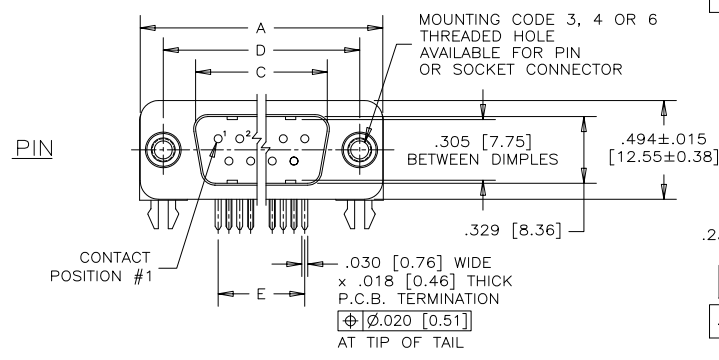
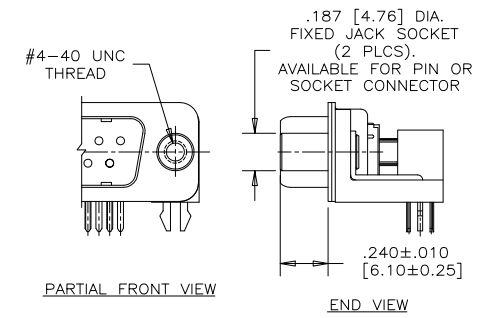
MODIFIER: 0=STANDARD

FILTER CAPACITANCE: D=50 pF, B=100 pF, O=180 pF, F=330 pF, L=380 pF, 1=470 pF, 4=820 pF, 5=1000 pF, 7=1200 pF, 6=1300 pF, J=1500 pF, E=2200 pF, 9=5600 pF, 8=47000 pF, N=NO FILTERS

REFER TO AMPHENOL CATALOGUE FOR FILTER PERFORMANCE CHARACTERISTICS



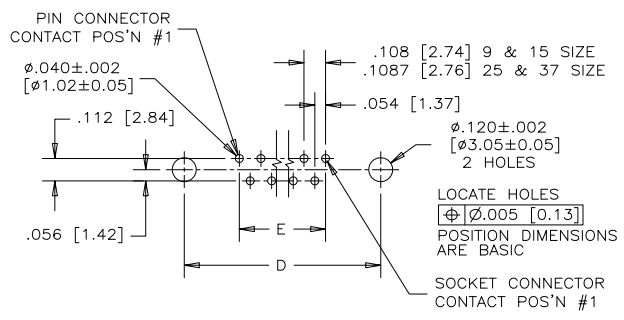
CODE "F" MOUNTING OPTION



SIZE	STYLE	A±.015 [0.38]	B±.005 [0.13]	C±.005 [0.13]	D±.005 [0.13]	E BSC.
E09	PIN	1.213 [30.81]	-----	.666 [16.92]	.984 [24.99]	.432 [10.97]
	SOCKET	-----	.643 [16.33]	-----	-----	-----
A15	PIN	1.541 [39.14]	-----	.994 [25.25]	1.312 [33.32]	.756 [19.20]
	SOCKET	-----	.971 [24.66]	-----	-----	-----
B25	PIN	2.088 [53.04]	-----	1.534 [38.96]	1.852 [47.04]	1.304 [33.12]
	SOCKET	-----	1.511 [38.38]	-----	-----	-----
C37	PIN	2.729 [69.32]	-----	2.182 [55.42]	2.500 [63.50]	1.956 [49.68]
	SOCKET	-----	2.159 [54.84]	-----	-----	-----

NOTES:

- MATERIALS: ALL MATERIALS ARE RoHS COMPLIANT.
 - SHELL: STEEL, TIN PLATED
 - CONTACTS: PHOSPHOR BRONZE, GOLD PLATED OVER 50µ" [1.27 MICRONS] NICKEL IN THE MATING AREA AND 100µ" [2.54 MICRONS] MIN. MATTE TIN ON THE TAILS.
 - INSULATOR: ENGINEERING THERMOPLASTIC, GLASS REINFORCED, UL FLAMMABILITY RATING 94V-0, COLOUR: BLACK
 - BOARDLOCK: COPPER ALLOY, TIN PLATED
 - MOUNTING HARDWARE, STEEL OR COPPER ALLOY, TIN OR NICKEL PLATED.
- CONTACT RESISTANCE: 15 MILLIOHMS MAXIMUM
- INSULATION RESISTANCE: 3000 MEGOHMS MINIMUM
- CURRENT RATING: 5 AMPS MAXIMUM
- OPERATING TEMPERATURE: -40°C TO 85°C
- TOLERANCE ±.005 [0.13] UNLESS INDICATED OTHERWISE.



RECOMMENDED P.C.B. LAYOUT (COMPONENT SIDE OF BOARD)

DRAWN <i>S.BUENAVIDES</i>	DATE <i>DEC19/05</i>
DESIGNED	
CHECKED <i>K.LAMBIE</i>	DATE <i>DEC20/05</i>
I. E. APPRD.	
Q. A. APPRD.	
DWG. APPRD.	
ENG. REL. NO.	
REF. <i>EAR 12892</i>	
DIMENSIONS ARE IN INCHES [mm]	CODE ID. NO. 03554

Amphenol Canada Corp.

FCE17 SERIES FILTERED D-SUB CONNECTOR, PIN & SOCKET, RIGHT ANGLE .405 [10.29] F/P, PLASTIC BRACKET & BOARDLOCK, RoHS COMPLIANT

DWG. DRAWING NO. **C P-FCE17-XXXXB-XXOX** REV. **G**

SCALE 2/1 WT. ----- SURF. ----- SHEET 1 of 1