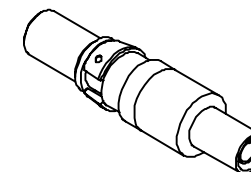
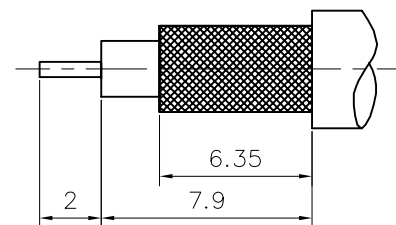
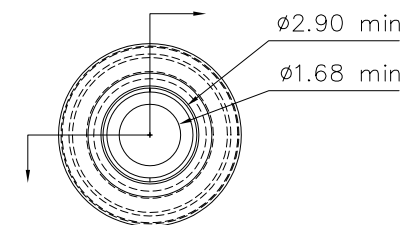
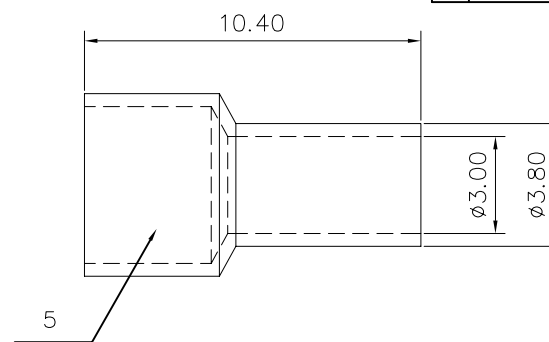
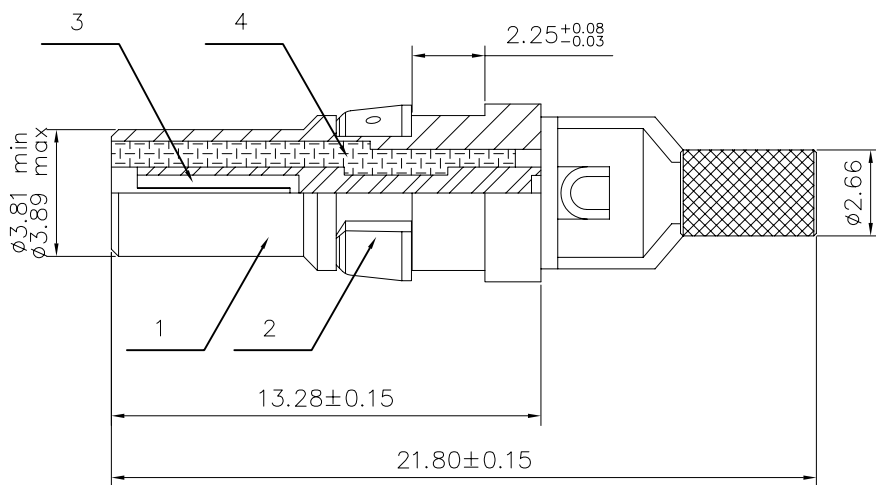


This document is the property of Amphenol Corporation and is delivered on the express condition that it is not to be disclosed, reproduced or used, in whole or in part, for manufacture or sale by anyone other than Amphenol Corporation without its prior consent, & that no right is granted to disclose or to use any information in this document.

Customer drawing

REVISIONS				
SYM	ECN	DESCRIPTION	DATE	APPROVED
E		trasfered from ASF drawing	11/14/07	IP
F		add to more information	Jan./05/09	IP



Trim cable



NOTES:

MECHANICAL

Materials and Finish: referring to the table

ELECTRICAL :

Voltage rating 300 V Rms to 50 Hz

Current rating 0.5A

Impedance: 50 Ohms Nominal

Frequency Range: 0 to 1 GHz

Insulation resistance: 5000 Megaohms Minimum

Cable RG: 179B/U and RG316B/U

ENVIRONMENTAL

Operating Temperature range -55 °C up to 125°C

Vibration: MIL-STD-202, Method 204, Test Condition D

Shock: MIL-STD-202, Method 213, Test Condition I

Corrosion Resistance: MIL-STD-202, Method 101, Test Condition B

5	brass	gold over 1.25um nickel
4	ferrule	Color white
3	Phosphor bronze	0.75um min gold over 1.25um nickel
2	thermoplastic	Color black
1	brass	gold over 1.25um nickel
Sequence	Material	Remark

UNLESS OTHERWISE SPECIFIED TOLERANCES		APPROVAL		DATE
U.S.	METRIC	DRAWN	Iss. peng	11/14/07
.X +/-	0.20	CHECKED	Ma.wang	11/14/07
.XX +/-	0.10	CHECKED		
.XXX +/-	0.05			
FRACTIONS +/-				
ANGLES +/-	2'			
FOR MATERIALS AND FINISHES SEE NOTES		DRAWING FILE :		
REMOVE SHARP EDGES		ANGLE OF PROJECTION		
DIMENSIONS				
U.S.	INCHES			
METRIC	MM			

TITLE Straight shielded contacts Crimp ferrule		
SIZE	DRAWING NO.	REV.
A4	4W00210C-C-L17DM537401	F
SCALE	NONE	SHEET 1 OF 1