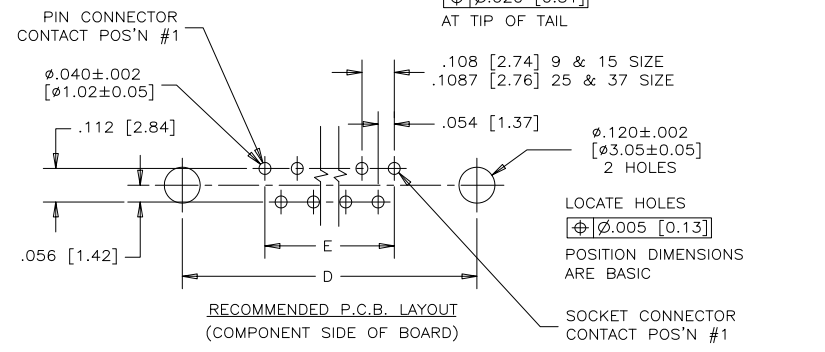
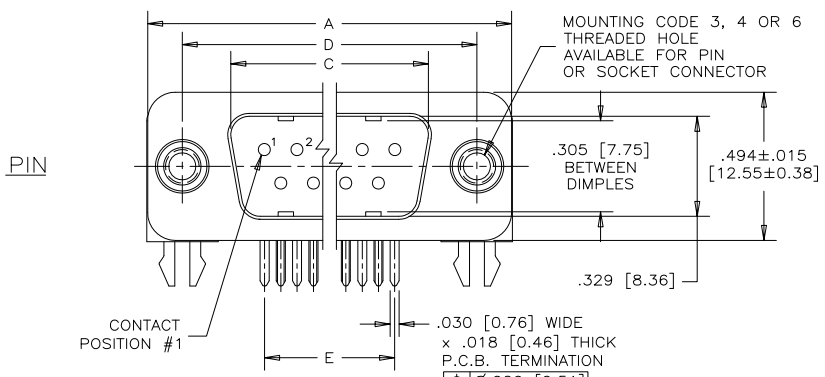
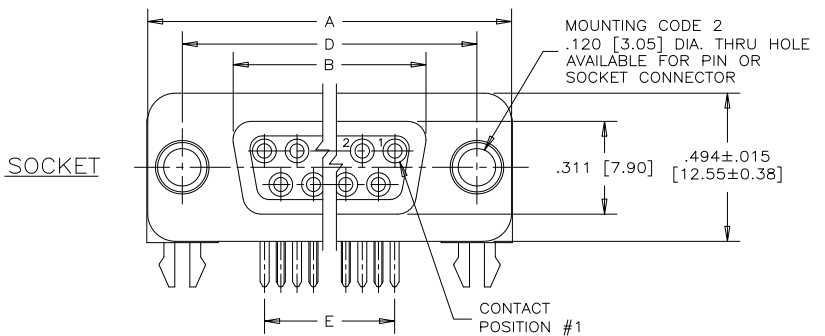
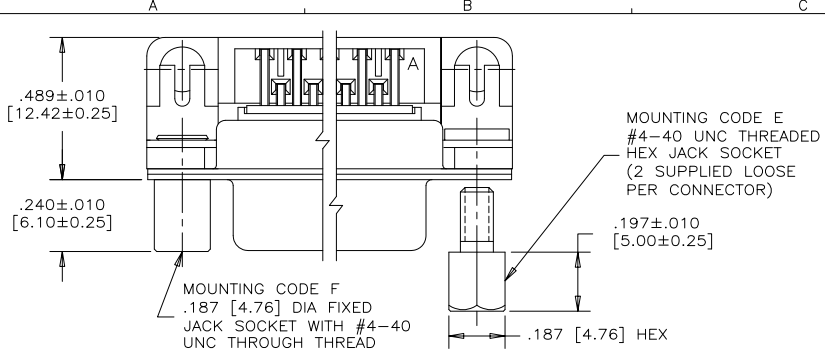
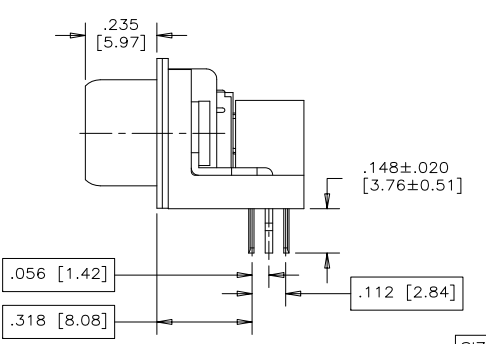
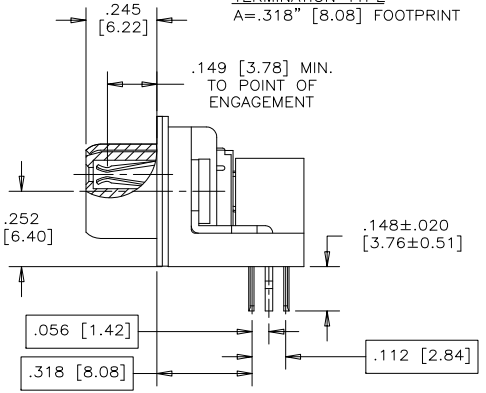


REVISIONS			
REV	ECN, ERN NO.	DATE	APPRD.
H	PRODUCT DRAWING (EAR 14498)	NOV9/16	K.L.



ORDERING CODE: F C E 1 7 - E 0 9 P A - 4 4 0 G
 SERIES _____
 FCE17=FILTERED D-SUB, RoHS
 SIZE/NUMBER OF CONTACTS _____
 E09, A15, B25, OR C37
 CONNECTOR STYLE _____
 P=PIN
 S=SOCKET
 TERMINATION TYPE _____
 A=.318" [8.08] FOOTPRINT

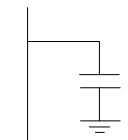
CONTACT FINISH/GOLD THICKNESS
 NO DIGIT=STANDARD 15 MICROINCHES
 [0.38 MICRONS] GOLD ON
 MATING AREA
 G=50 MICROINCHES [1.27 MICRONS]
 GOLD ON MATING AREA
 MODIFIER
 O=STANDARD
 FILTER CAPACITANCE
 D=50 pF 5=1000 pF
 B=100 pF 7=1200 pF
 O=180 pF 6=1300 pF
 F=330 pF J=1500 pF
 L=380 pF E=2200 pF
 1=470 pF 9=5600 pF
 4=820 pF 8=47000 pF
 N=NO FILTERS
 REFER TO AMPHENOL
 CATALOGUE FOR FILTER
 PERFORMANCE CHARACTERISTICS



- NOTES:
- MATERIALS: ALL MATERIALS ARE RoHS COMPLIANT.
 - SHELL: STEEL, TIN PLATED
 - CONTACTS: PHOSPHOR BRONZE, PLATED WITH GOLD OVER 50µ" [1.27 MICRONS] MINIMUM NICKEL IN THE MATING AREA AND 100µ" [2.54 MICRONS] MINIMUM MATTE TIN ON THE TAILS.
 - INSULATOR: ENGINEERING THERMOPLASTIC, GLASS REINFORCED, UL FLAMMABILITY RATING 94V-0, COLOUR: BLACK
 - BOARDLOCK: COPPER ALLOY, TIN PLATED
 - MOUNTING HARDWARE, STEEL OR COPPER ALLOY, TIN OR NICKEL PLATED.
 - CONTACT RESISTANCE: 15 MILLIOHMS MAXIMUM
 - INSULATION RESISTANCE: 3000 MEGOHMS MINIMUM
 - CURRENT RATING: 5 AMPS MAXIMUM
 - OPERATING TEMPERATURE: -40°C TO 85°C
 - TOLERANCE UNLESS INDICATED OTHERWISE: ±.005 [0.13]

SIZE	STYLE	A±.015 [0.38]	B±.005 [0.13]	C±.005 [0.13]	D±.005 [0.13]	E BSC.
E09	PIN	1,213 [30.81]	-----	.666 [16.92]	.984 [24.99]	.432 [10.97]
	SOCKET	-----	.643 [16.33]	-----	-----	-----
A15	PIN	1,541 [39.14]	-----	.994 [25.25]	1,312 [33.32]	.756 [19.20]
	SOCKET	-----	.971 [24.66]	-----	-----	-----
B25	PIN	2,088 [53.04]	-----	1,534 [38.96]	1,852 [47.04]	1,304 [33.12]
	SOCKET	-----	1,511 [38.38]	-----	-----	-----
C37	PIN	2,729 [69.32]	-----	2,182 [55.42]	2,500 [63.50]	1,956 [49.68]
	SOCKET	-----	2,159 [54.84]	-----	-----	-----

CAPACITANCE SCHEMATIC FOR EACH POSITION



DRAWN K. LAMBIE DATE APR08/05
 DESIGNED _____
 CHECKED _____
 I. E. APPRD. _____
 Q. A. APPRD. _____
 DWG. APPRD. _____
 ENG. REL. NO. _____
 REF. EAR #12701
 DIMENSIONS ARE IN INCHES [mm] CODE ID. NO. 03554



Amphenol Canada Corp.
 FCE17 SERIES FILTERED D-SUB CONNECTOR,
 PIN & SOCKET, RIGHT ANGLE .318 [8.08] F/P,
 PLASTIC MOUNTING BRACKET & BOARDLOCK,
 RoHS COMPLIANT
 DWG. DRAWING NO. P-FCE17-XXXXA-XX0X
 REF. H
 SCALE 3/1 WT. ----- SURF. ----- SHEET 1 OF 1

THIS DOCUMENT CONTAINS PROPRIETARY INFORMATION AND SUCH INFORMATION
 MAY NOT BE DISCLOSED TO OTHERS FOR ANY PURPOSE OR USED FOR MANUFACTURING
 PURPOSES WITHOUT WRITTEN PERMISSION FROM AMPHENOL CANADA CORP.