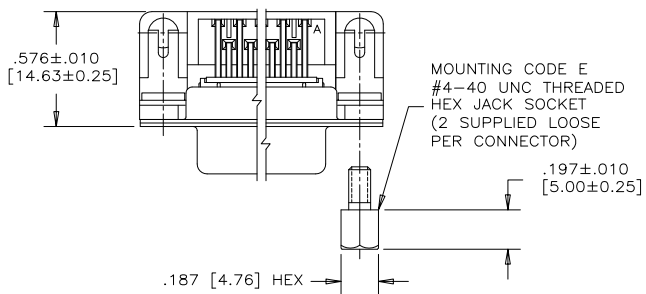
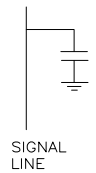


| REVISIONS |                             |         |        |
|-----------|-----------------------------|---------|--------|
| REV       | ECN, ERN NO.                | DATE    | APPRD. |
| G         | PRODUCT DRAWING (EAR 14498) | NOV9/16 | K.L.   |



CAPACITANCE SCHEMATIC FOR EACH POSITION



ORDERING CODE: F C E 1 7 - E 0 9 S B - 4 E 0 G

SERIES  
FCE17=FILTERED D=SUB, RoHS

SIZE/NUMBER OF CONTACTS  
E09, A15, B25, OR C37

CONNECTOR STYLE  
P=PIN  
S=SOCKET

TERMINATION TYPE  
B=.405" [10.29] FOOTPRINT

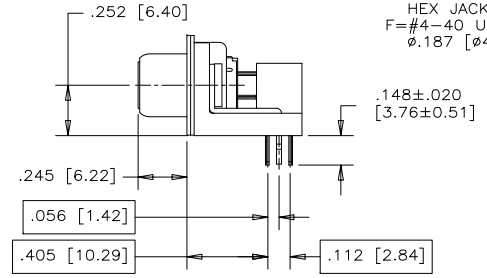
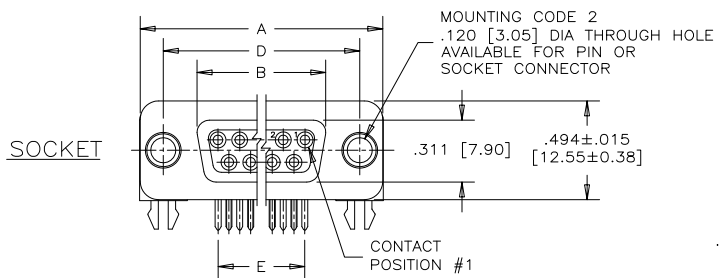
MOUNTING  
2=.120 [3.05] DIA THROUGH HOLE  
3=#4-40 UNC SELF-LOCKING THREAD  
4=#4-40 UNC THREAD  
6=M3 x 0.5 THREAD  
E=CODE 4 MOUNTING WITH #4-40 UNC HEX JACK SOCKET SUPPLIED.  
F=#4-40 UNC THREAD IN  $\phi$ .187 [4.75] FIXED JACK SOCKET

CONTACT FINISH/GOLD THICKNESS  
NO DIGIT=STANDARD 15 MICROINCHES [0.38 MICRONS] GOLD ON MATING AREA  
G=50 MICROINCHES [1.27 MICRONS] GOLD ON MATING AREA

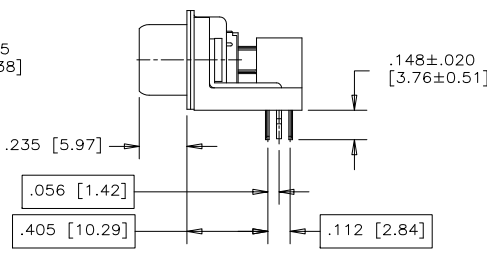
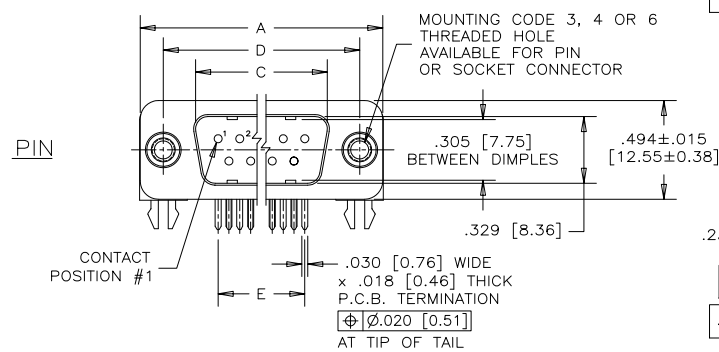
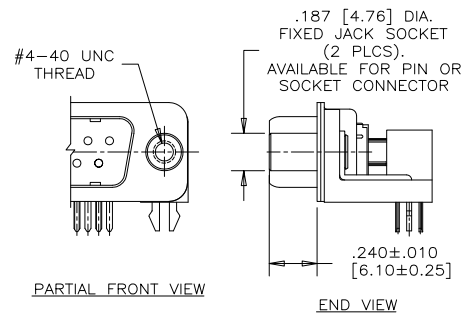
MODIFIER  
0=STANDARD

FILTER CAPACITANCE  
D=50 pF 5=1000 pF  
B=100 pF 7=1200 pF  
O=180 pF 6=1300 pF  
F=330 pF J=1500 pF  
L=380 pF E=2200 pF  
1=470 pF 9=5600 pF  
4=820 pF 8=47000 pF  
N=NO FILTERS

REFER TO AMPHENOL CATALOGUE FOR FILTER PERFORMANCE CHARACTERISTICS



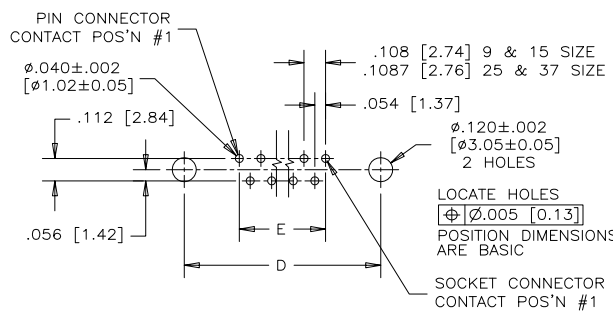
CODE "F" MOUNTING OPTION



| SIZE | STYLE  | A±.015 [0.38] | B±.005 [0.13] | C±.005 [0.13] | D±.005 [0.13] | E BSC.        |
|------|--------|---------------|---------------|---------------|---------------|---------------|
| E09  | PIN    | 1.213 [30.81] | -----         | .666 [16.92]  | .984 [24.99]  | .432 [10.97]  |
|      | SOCKET | -----         | .643 [16.33]  | -----         | -----         | -----         |
| A15  | PIN    | 1.541 [39.14] | -----         | .994 [25.25]  | 1.312 [33.32] | .756 [19.20]  |
|      | SOCKET | -----         | .971 [24.66]  | -----         | -----         | -----         |
| B25  | PIN    | 2.088 [53.04] | -----         | 1.534 [38.96] | 1.852 [47.04] | 1.304 [33.12] |
|      | SOCKET | -----         | 1.511 [38.38] | -----         | -----         | -----         |
| C37  | PIN    | 2.729 [69.32] | -----         | 2.182 [55.42] | 2.500 [63.50] | 1.956 [49.68] |
|      | SOCKET | -----         | 2.159 [54.84] | -----         | -----         | -----         |

NOTES:

- MATERIALS: ALL MATERIALS ARE RoHS COMPLIANT.
  - SHELL: STEEL, TIN PLATED
  - CONTACTS: PHOSPHOR BRONZE, GOLD PLATED OVER 50µ" [1.27 MICRONS] NICKEL IN THE MATING AREA AND 100µ" [2.54 MICRONS] MIN. MATTE TIN ON THE TAILS.
  - INSULATOR: ENGINEERING THERMOPLASTIC, GLASS REINFORCED, UL FLAMMABILITY RATING 94V-0, COLOUR: BLACK
  - BOARDLOCK: COPPER ALLOY, TIN PLATED
  - MOUNTING HARDWARE, STEEL OR COPPER ALLOY, TIN OR NICKEL PLATED.
- CONTACT RESISTANCE: 15 MILLIOHMS MAXIMUM
- INSULATION RESISTANCE: 3000 MEGOHMS MINIMUM
- CURRENT RATING: 5 AMPS MAXIMUM
- OPERATING TEMPERATURE: -40°C TO 85°C
- TOLERANCE ±.005 [0.13] UNLESS INDICATED OTHERWISE.



RECOMMENDED P.C.B. LAYOUT (COMPONENT SIDE OF BOARD)

|                               |                    |
|-------------------------------|--------------------|
| DRAWN S.BUENAVIDES            | DATE DEC19/05      |
| DESIGNED                      |                    |
| CHECKED K.LAMBIE              | DEC20/05           |
| I. E. APPRD.                  |                    |
| Q. A. APPRD.                  |                    |
| DWG. APPRD.                   |                    |
| ENG. REL. NO.                 |                    |
| REF. EAR 12892                |                    |
| DIMENSIONS ARE IN INCHES [mm] | CODE ID. NO. 03554 |

Amphenol Canada Corp.

FCE17 SERIES FILTERED D-SUB CONNECTOR, PIN & SOCKET, RIGHT ANGLE .405 [10.29] F/P, PLASTIC BRACKET & BOARDLOCK, RoHS COMPLIANT

|       |                                |        |
|-------|--------------------------------|--------|
| DWG C | DRAWING NO. P-FCE17-XXXXB-XXOX | REV. G |
|-------|--------------------------------|--------|

SCALE 2/1 WT. ----- SURF. ----- SHEET 1 of 1