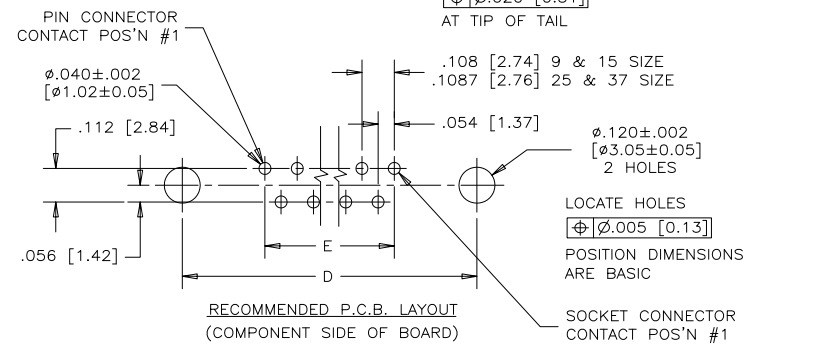
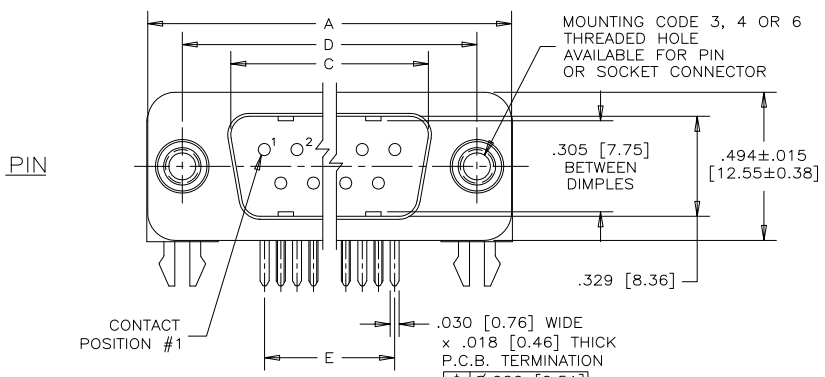
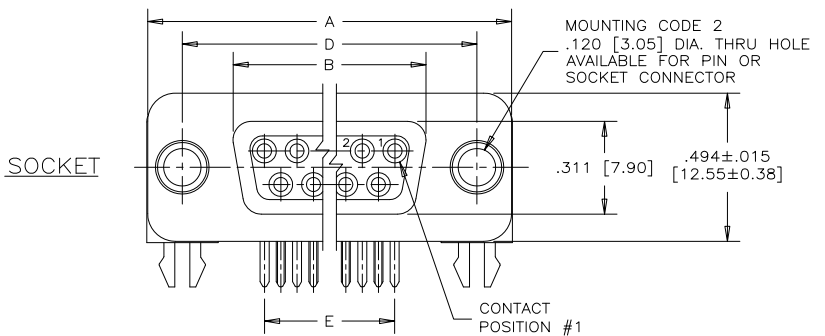
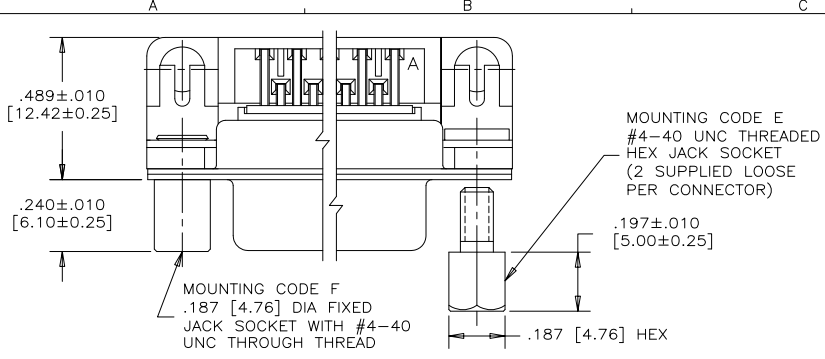


REVISIONS			
REV	ECN, ERN NO.	DATE	APPRD.
H	PRODUCT DRAWING (EAR 14498)	NOV9/16	K.L.



ORDERING CODE: F C E 1 7 - E 0 9 P A - 4 4 0 G

SERIES _____
FCE17=FILTERED D-SUB, RoHS

SIZE/NUMBER OF CONTACTS _____
E09, A15, B25, OR C37

CONNECTOR STYLE _____
P=PIN
S=SOCKET

TERMINATION TYPE _____
A=.318" [8.08] FOOTPRINT

CONTACT FINISH/GOLD THICKNESS
NO DIGIT=STANDARD 15 MICROINCHES
[0.38 MICRONS] GOLD ON
MATING AREA
G=50 MICROINCHES [1.27 MICRONS]
GOLD ON MATING AREA

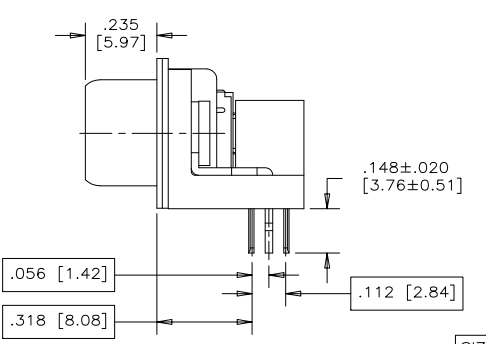
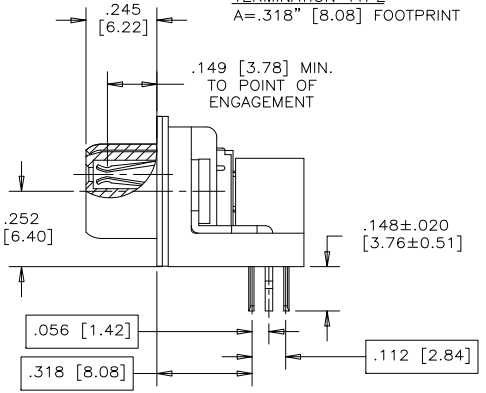
MODIFIER
O=STANDARD

FILTER CAPACITANCE
D=50 pF 5=1000 pF
B=100 pF 7=1200 pF
O=180 pF 6=1300 pF
F=330 pF J=1500 pF
L=380 pF E=2200 pF
1=470 pF 9=5600 pF
4=820 pF 8=47000 pF
N=NO FILTERS

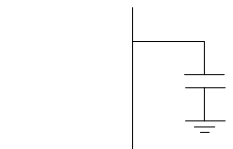
REFER TO AMPHENOL
CATALOGUE FOR FILTER
PERFORMANCE CHARACTERISTICS

MOUNTING
2=.120 [3.05] DIA THROUGH HOLE
3=#4-40 UNC SELF-LOCKING THREAD
4=#4-40 UNC THREAD
6=M3 x 0.5 THREAD
E=CODE 4 MOUNTING WITH #4-40
UNC HEX JACK SOCKETS SUPPLIED.
F=#4-40 UNC FIXED ROUND JACK SOCKET

- NOTES:
- MATERIALS: ALL MATERIALS ARE RoHS COMPLIANT.
 - SHELL: STEEL, TIN PLATED
 - CONTACTS: PHOSPHOR BRONZE, PLATED WITH GOLD OVER 50µ" [1.27 MICRONS] MINIMUM NICKEL IN THE MATING AREA AND 100µ" [2.54 MICRONS] MINIMUM MATTE TIN ON THE TAILS.
 - INSULATOR: ENGINEERING THERMOPLASTIC, GLASS REINFORCED, UL FLAMMABILITY RATING 94V-0, COLOUR: BLACK
 - BOARDLOCK: COPPER ALLOY, TIN PLATED
 - MOUNTING HARDWARE, STEEL OR COPPER ALLOY, TIN OR NICKEL PLATED.
 - CONTACT RESISTANCE: 15 MILLIOHMS MAXIMUM
 - INSULATION RESISTANCE: 3000 MEGOHMS MINIMUM
 - CURRENT RATING: 5 AMPS MAXIMUM
 - OPERATING TEMPERATURE: -40°C TO 85°C
 - TOLERANCE UNLESS INDICATED OTHERWISE: ±.005 [0.13]



CAPACITANCE SCHEMATIC FOR EACH POSITION



SIZE	STYLE	A±.015 [0.38]	B±.005 [0.13]	C±.005 [0.13]	D±.005 [0.13]	E BSC.
E09	PIN	1,213 [30.81]	-----	.666 [16.92]	.984 [24.99]	.432 [10.97]
	SOCKET		.643 [16.33]	-----		
A15	PIN	1,541 [39.14]	-----	.994 [25.25]	1,312 [33.32]	.756 [19.20]
	SOCKET		.971 [24.66]	-----		
B25	PIN	2,088 [53.04]	-----	1,534 [38.96]	1,852 [47.04]	1,304 [33.12]
	SOCKET		1,511 [38.38]	-----		
C37	PIN	2,729 [69.32]	-----	2,182 [55.42]	2,500 [63.50]	1,956 [49.68]
	SOCKET		2,159 [54.84]	-----		

DRAWN K. LAMBIE DATE APR08/05

DESIGNED _____

CHECKED _____

I. E. APPRD. _____

Q. A. APPRD. _____

DWG. APPRD. _____

ENG. REL. NO. _____

REF. EAR #12701

DIMENSIONS ARE IN INCHES [mm] CODE ID. NO. 03554



Amphenol Canada Corp.

FCE17 SERIES FILTERED D-SUB CONNECTOR, PIN & SOCKET, RIGHT ANGLE .318 [8.08] F/P, PLASTIC MOUNTING BRACKET & BOARDLOCK, RoHS COMPLIANT

DWG	DRAWING NO.	REV.
C	P-FCE17-XXXXA-XX0X	H
SCALE	3/1	WT. _____
SURF.	_____	SHEET 1 of 1

THIS DOCUMENT CONTAINS PROPRIETARY INFORMATION AND SUCH INFORMATION MAY NOT BE DISCLOSED TO OTHERS FOR ANY PURPOSE OR USED FOR MANUFACTURING PURPOSES WITHOUT WRITTEN PERMISSION FROM AMPHENOL CANADA CORP.