

Now you're connected!

About Amphenol Commercial Products

Amphenol's commercial connector products are used in a variety of end user applications including networking, telecom, server & computer, storage & HDD, consumer electronics and entertainment, professional audio & Industrial & Military/Aerospace.

Related Products

RJSSE

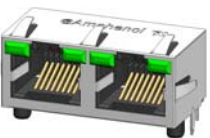


P/N RJSSE-5381 SHOWN
SINGLE PORT, 8 POSITION,
WITH SHIELD AND LIGHT PIPE

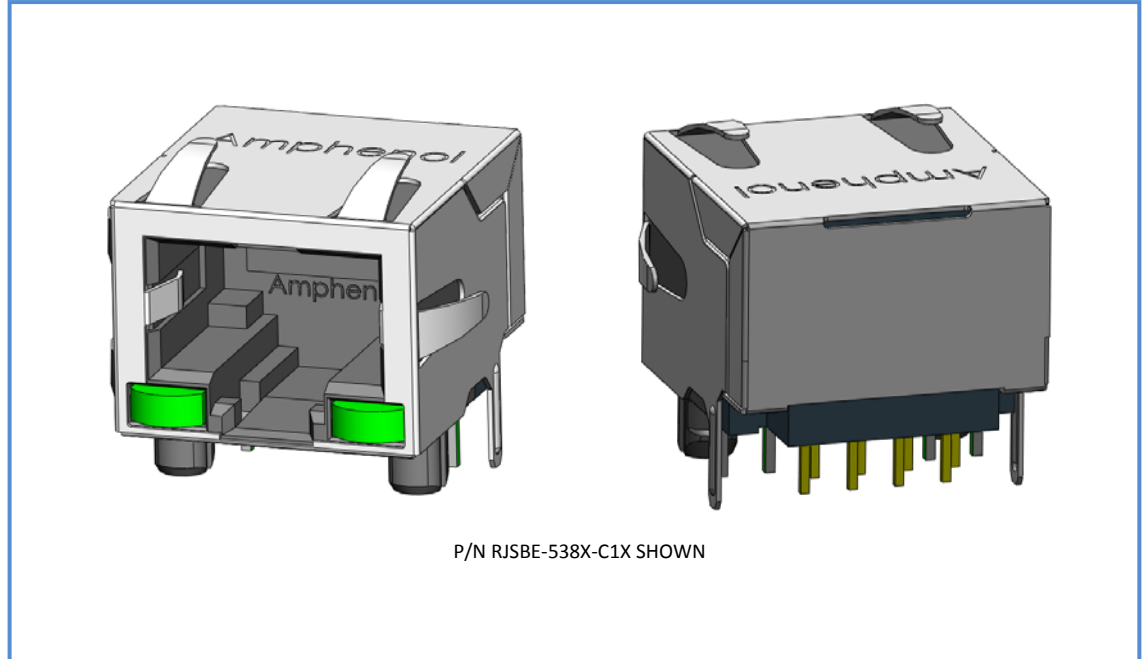
RJHSE



P/N RJHSE-3081 SHOWN
SINGLE PORT VERTICAL MOUNT,
NO SHIELD, WITH LEDs



P/N RJHSE-5385-02 SHOWN
TWO PORT REGULAR MOUNT,
WITH SHIELD AND LEDs



P/N RJSBE-538X-C1X SHOWN

Overview

This product specification defines the general use and performance parameters for Amphenol's RJSBE series of modular jacks.

Availability: 1x1, 1x2 and 1x4 ports available with a wide variety of LED and shielding options.

Usage

The RJSBE series of modular jacks supports Ethernet Protocols. Shielding available with and without a Ferrite filter for increased EMI performance and LEDs for Link Activity and Network Speed verification.

Applications

Intended for use in applications such as:

Networking & Telecom

- Wireless (WiMAX)
- Network servers
- Hubs, routers, switches

Office & Home Equipment

- PC's, Laptops, Copiers/Printers
- Telephones, modems
- Surge Protectors
- ATMs, Vending Machines

Consumer Goods

- Security Systems
- Set Top Boxes
- Video Game Systems

Miscellaneous

- Multi-Media Equipment
- Industrial Equipment
- POS Terminals

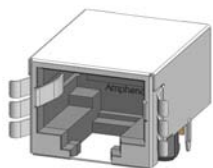
Now you're connected!

About Amphenol Commercial Products

Amphenol's commercial connector products are used in a variety of end user applications including networking, telecom, server & computer, storage & HDD, consumer electronics and entertainment, professional audio & Industrial & Military/Aerospace.

Related Products

RJULE



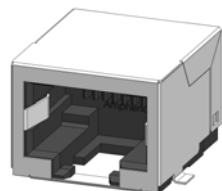
P/N RJULE-4X182-01 SHOWN
SINGLE PORT REGULAR MOUNT,
STANDARD SHIELD WITH SMT

FRJAE



P/N FRJAE-418 SHOWN
SINGLE PORT, 8 POSITION,
WITH FERRITE FILTER AND
SHIELD (FRONT TABS)

RJLSE



P/N RJLSE-41181-01 SHOWN
SINGLE PORT REGULAR MOUNT,
STANDARD SHIELD WITH SMT

Electrical Characteristics

Contact resistance:	20 mΩ max.
Insulation resistance:	500 MΩ minimum at 500V DC for 2 minutes max.
Current rating:	1.5 Amps
Voltage rating:	125 Volts AC
DWV	1000 VAC, 60 Hz. 1 min.
LED forward DC current:	20mA typical
LED forward Voltage:	1.9 Volts max. @ 2mA (for single colors) 2.6 Volts max. @ 20mA (for Bi-colors)
LED reverse voltage:	5 Volts minimum
LED light intensity:	0.4 to 1.5 mcd @ 2mA (for single colors) 0.5 mcd min. @ 2mA (for Bi-colors)
LED wave length:	Yellow: 587± 7 nm measured @ 20mA Green: 565± 6 nm measured @ 20mA Red: 625± 5 nm measured @ 20mA

Mechanical Characteristics

Mating connector insertion force: 5.0 lbs. Maximum.
Mating connector pull retention force: 20 lbs Minimum.
Durability: 750 mating & unmating cycles
Recommended soldering temperature: Wave soldering peaked at 260° C for 5 seconds maximum.
Connectors without LED's are suitable for IR Reflow

Operating temperature: -55° C to +85° C

Material Requirements

RJSBE connectors are RoHS compliant.
Unless otherwise specified, the materials for each component shall be:

Insulator:

- High Temp thermoplastic. Complies with UL 94V-0, Black color

Contacts:

- Phosphor Bronze hard temper with gold thickness options (6μ", 15μ", 30μ", 50μ") over 50μ" minimum Nickel on contact mating area.
- 100μ" minimum matte tin plating on soldering tail

Shield:

- Copper alloy; Nickel plated with pure tin dipped tail

LED:

- Pure Tin plating on LED tail

Available Documents

Drawing Numbers:

P-RJSBE-508X-C1X	Single Port High Speed Modular Jack, 8 Position with LEDs, Unshielded.
P-RJSBE-538X-C1X	Single Port High Speed Modular Jack, 8 Position with LEDs, Shielded
P-RJSBE-528X-C4	Four Port High Speed Modular Jack, 8 Position, with LEDs and Shield, With Ferrite
P-RJSBE-706X-C2	Two Port High Speed Modular Jack, 6 Position, With LED options, Unshielded

Contact factory or Authorized Amphenol representative for additional configurations

Amphenol Canada Corp.
605 Milner Avenue
Toronto, Ontario, Canada, M1B 5X6
+1 416 291 4401

www.amphenolcanada.com

Copyright © Amphenol Corporation 2011 • All rights reserved

Page 2 of 2

Amphenol