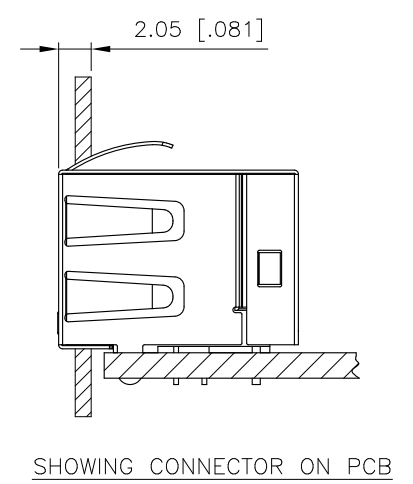
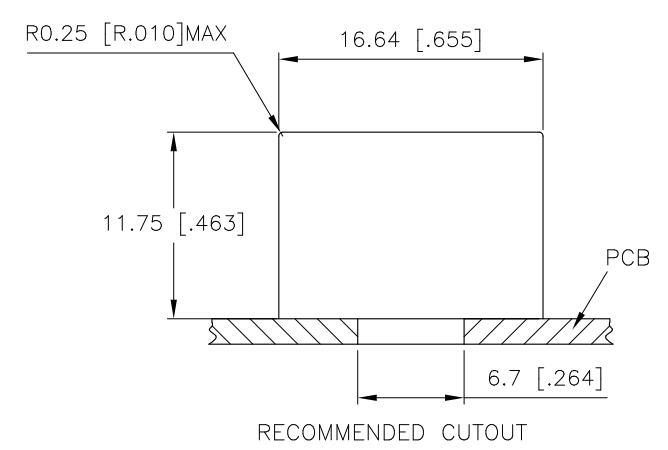
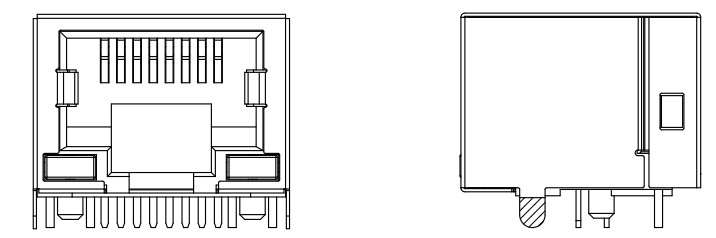
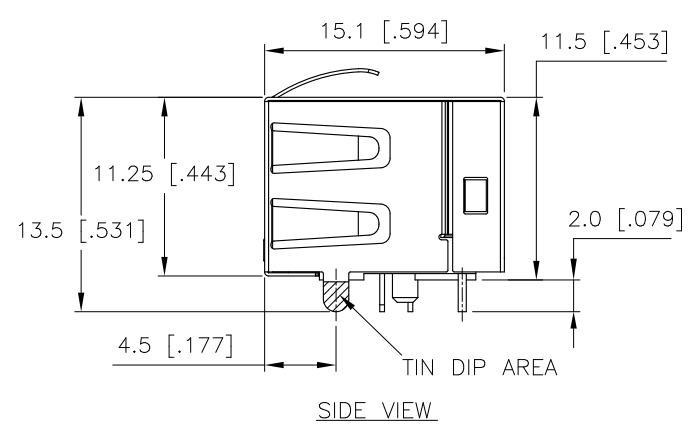
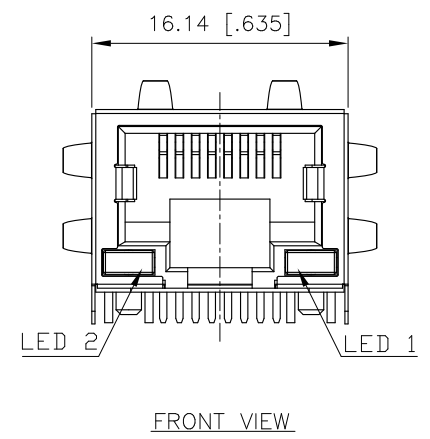


REVISIONS				
SYM	ZONE	ECN, ERN NO.	DATE	APPRD.
A		PROPOSAL	FEB24/2012	L.CHAN
B		PROPOSAL	MAR05/2012	L.CHAN
C		CORRECT PCB LAYOUT	SEP12/2012	L.CHAN

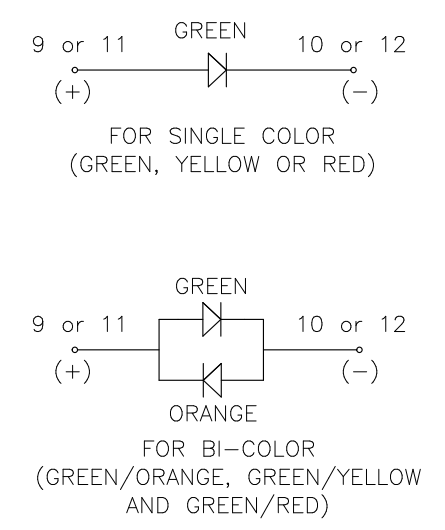
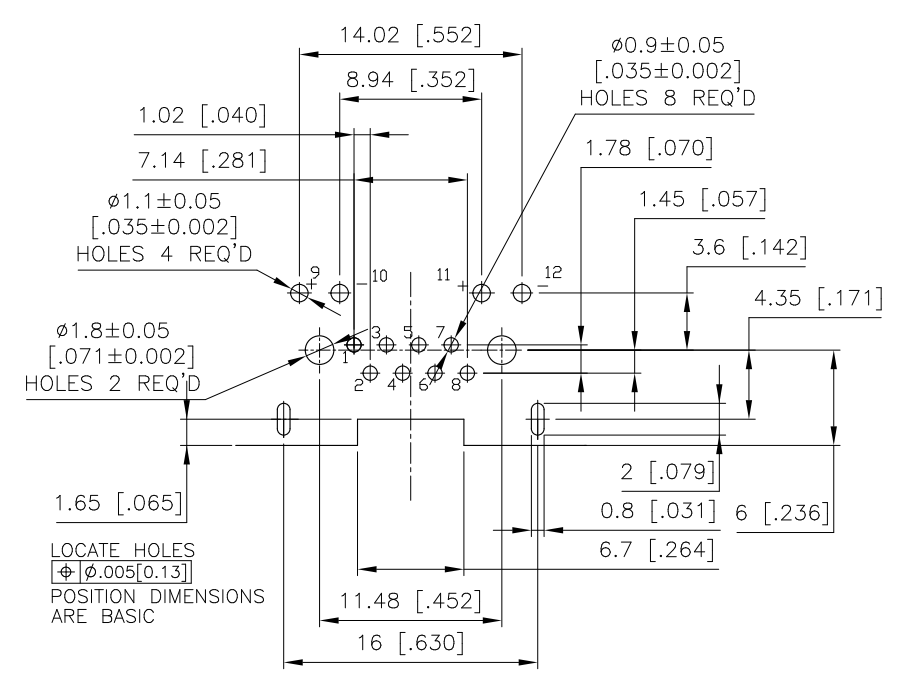


1. MATERIALS:
 PLASTIC HOUSING: HIGH TEMPERATURE THERMOPLASTIC
 FLAMMABILITY RATING UL 94V-0
 COLOUR: BLACK
- CONTACTS: PHOSPHOR BRONZE
 PLATING: SELECTIVE GOLD PLATING ON MATING SURFACES
 SEE AMPHENOL PART NUMBER FOR DETAIL.
 50 μ" [1.27 MICRONS]
 MIN. NICKEL UNDERPLATE
 100 μ" [2.54 MICRONS]
 MIN. TIN ON CONTACT TAILS.
- SHIELD: STAINLESS STEEL WITH TIN DIP ON SOLDER TAIL

2. UNLESS OTHERWISE SPECIFIED DIMENSIONS ARE IN MILLIMETERS
 TOLERANCES ARE: 0.30MM.

MATES WITH MODULAR PLUG CONFORMING TO FCC PART 68, SUBPART F.
 RECOMMENDED SOLDER PROCESS: REFLOW SOLDER, PEAK TEMPERATURE
 245° FOR 8~10 SECOND.

- AMPHENOL PART NUMBER: RJE73-188-00XXX
- GOLD PLATING OPTION
 1=6u" GOLD PLATING
 2=15u" GOLD PLATING
 3=30u" GOLD PLATING
 4=50u" GOLD PLATING
- GROUND TABS OPTION
 0=WITHOUT TAB
 1=WITH SIDE AND TOP TABS
- REFER TO LED OPTIONS DRAWING
 FOR ORDERING CODES



LOCATE HOLES
 ⌀0.005[0.13]
 POSITION DIMENSIONS
 ARE BASIC

THIS DOCUMENT CONTAINS PROPRIETARY INFORMATION AND SUCH INFORMATION
 MAY NOT BE DISCLOSED TO OTHERS FOR ANY PURPOSE OR USED FOR MANUFACTURING
 PURPOSES WITHOUT WRITTEN PERMISSION FROM AMPHENOL CANADA CORP.

DRAWN <i>Edwin.Qu</i>	DATE <i>FEB24/2012</i>	Amphenol Canada Corp.		
DESIGNED				
CHECKED <i>L.Chan</i>	DATE <i>FEB24/2012</i>	TITLE MODULAR JACK, 8 POSITIONS, 8 CONTACTS, SHIELDED, WITH LEDs, WITH TAPE & REEL PACKAGING -RoHS COMPLIANT		
I. E. APPRD.		DWG DRAWING NO. <i>P-RJE73-188-00XXX</i>		
Q. A. APPRD.		REV. <i>C</i>		
DWG. APPRD. <i>Adrian</i>	DATE <i>FEB24/2012</i>	SCALE		
ENG. REL. NO.		WT. ----- SURF. ----- SHEET <i>1</i> OF <i>1</i>		
REF.		CODE ID. NO. <i>03554</i>		
DIMENSIONS ARE IN <i>mm</i> [INCHES]				