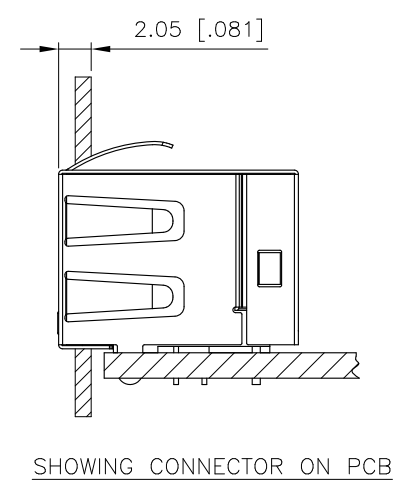
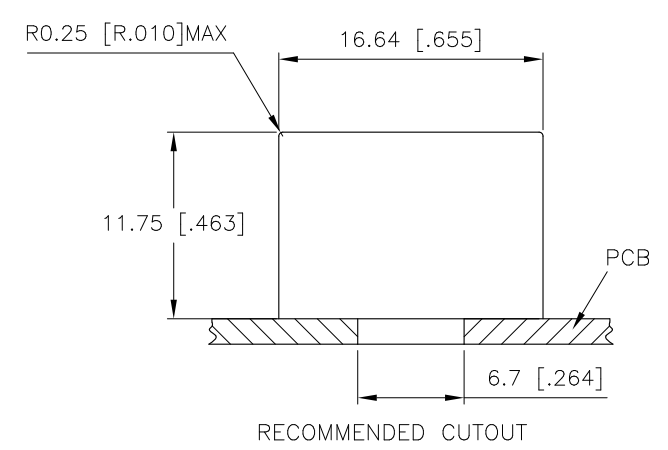
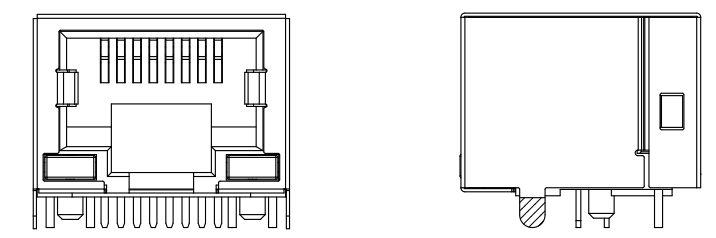
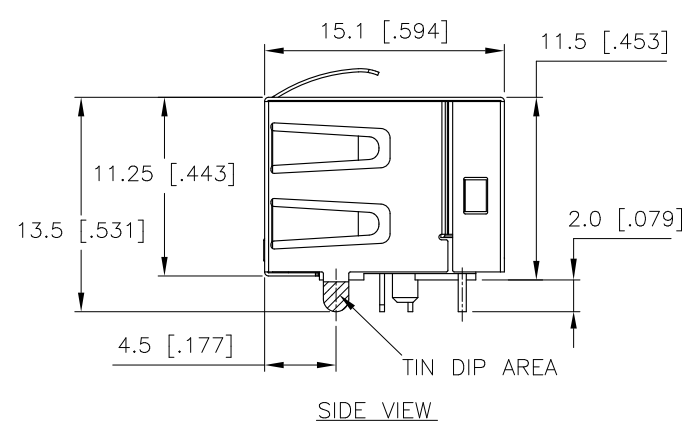
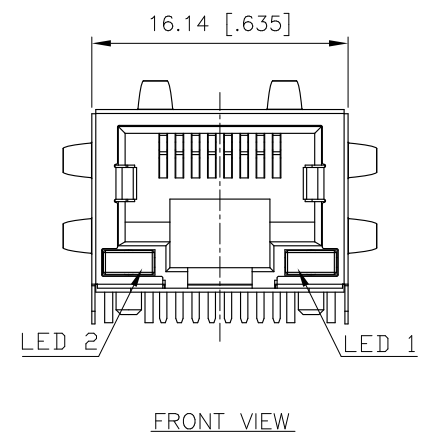


REVISIONS				
SYM	ZONE	ECN, ERN NO.	DATE	APPRD.
A		PROPOSAL	FEB24/2012	L.CHAN
B		PROPOSAL	MAR05/2012	L.CHAN
C		CORRECT PCB LAYOUT	SEP12/2012	L.CHAN

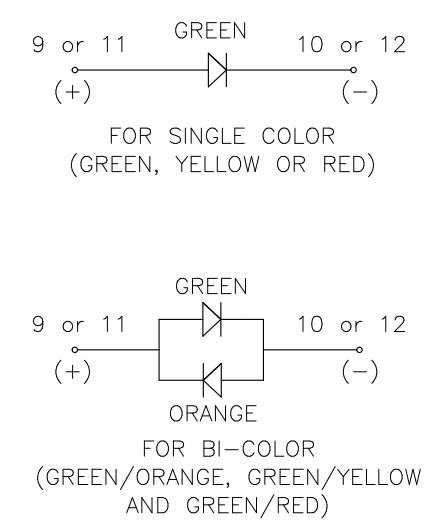
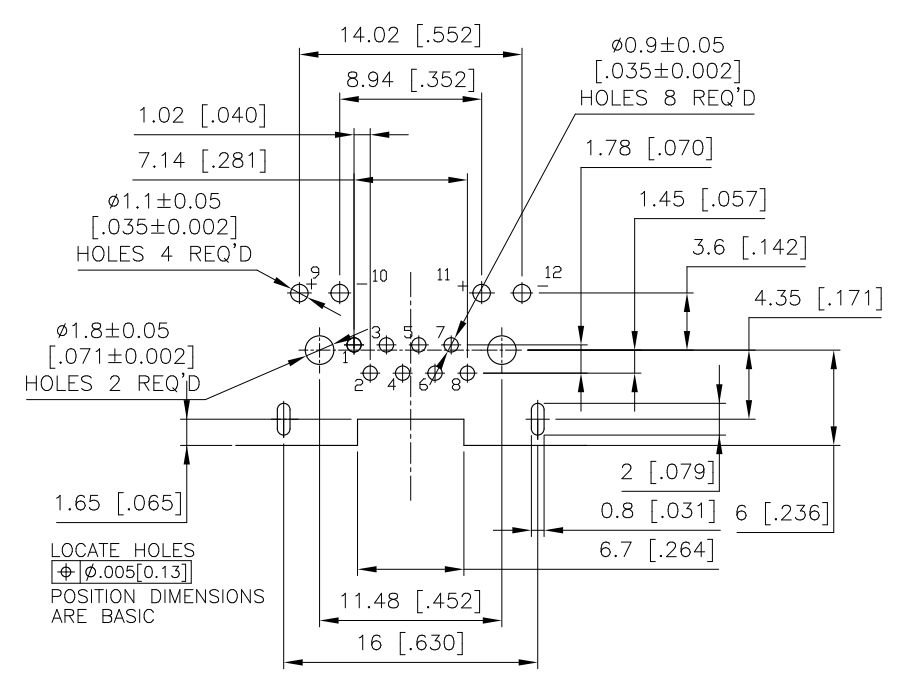


1. MATERIALS:
 PLASTIC HOUSING: HIGH TEMPERATURE THERMOPLASTIC
 FLAMMABILITY RATING UL 94V-0
 COLOUR: BLACK
- CONTACTS: PHOSPHOR BRONZE
 PLATING: SELECTIVE GOLD PLATING ON MATING SURFACES
 SEE AMPHENOL PART NUMBER FOR DETAIL.
 50 μ" [1.27 MICRONS]
 MIN. NICKEL UNDERPLATE
 100 μ" [2.54 MICRONS]
 MIN. TIN ON CONTACT TAILS.
- SHIELD: STAINLESS STEEL WITH TIN DIP ON SOLDER TAIL

2. UNLESS OTHERWISE SPECIFIED DIMENSIONS ARE IN MILLIMETERS
 TOLERANCES ARE: 0.30MM.

MATES WITH MODULAR PLUG CONFORMING TO FCC PART 68, SUBPART F.
 RECOMMENDED SOLDER PROCESS: REFLOW SOLDER, PEAK TEMPERATURE
 245° FOR 8~10 SECOND.

- AMPHENOL PART NUMBER: RJE73-188-00XXX
- GOLD PLATING OPTION
 1=6u" GOLD PLATING
 2=15u" GOLD PLATING
 3=30u" GOLD PLATING
 4=50u" GOLD PLATING
- GROUND TABS OPTION
 0=WITHOUT TAB
 1=WITH SIDE AND TOP TABS
- REFER TO LED OPTIONS DRAWING
 FOR ORDERING CODES



LOCATE HOLES
 ⌀0.005[0.13]
 POSITION DIMENSIONS
 ARE BASIC

DRAWN Edwin.Qu	DATE FEB24/2012	Amphenol Canada Corp.		
DESIGNED				
CHECKED L.Chan	FEB24/2012	TITLE		
I. E. APPRD.		MODULAR JACK, 8 POSITIONS, 8 CONTACTS, SHIELDED, WITH LEDs, WITH TAPE & REEL PACKAGING -RoHS COMPLIANT		
Q. A. APPRD.		DWG DRAWING NO.		
DWG. APPRD. Adrian	FEB24/2012	P-RJE73-188-00XXX		REV. C
ENG. REL. NO.		SCALE	WT. -----	SURF. -----
REF.		DIMENSIONS ARE IN mm [INCHES]		CODE ID. NO. 03554
		SHEET 1 OF 1		

THIS DOCUMENT CONTAINS PROPRIETARY INFORMATION AND SUCH INFORMATION
 MAY NOT BE DISCLOSED TO OTHERS FOR ANY PURPOSE OR USED FOR MANUFACTURING
 PURPOSES WITHOUT WRITTEN PERMISSION FROM AMPHENOL CANADA CORP.