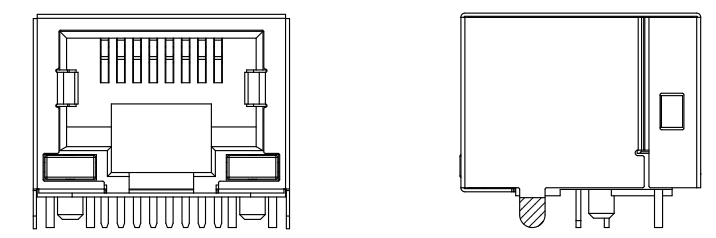
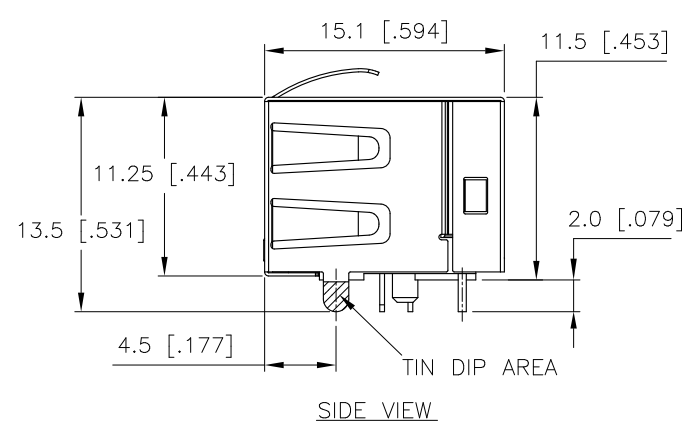
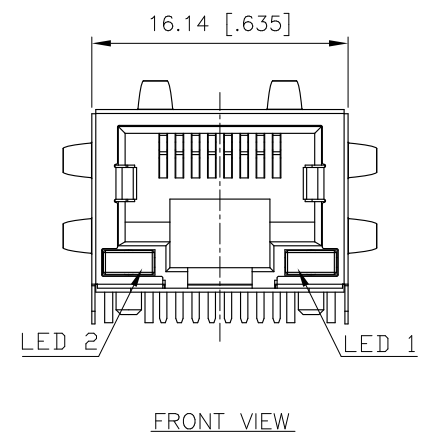
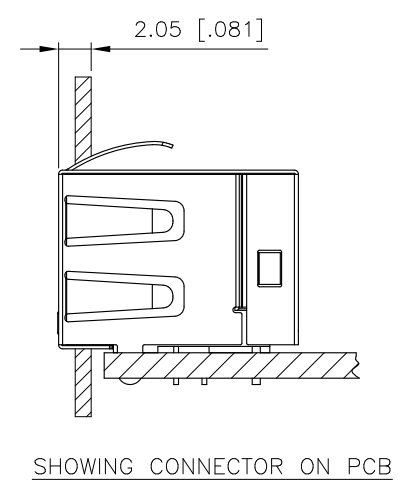
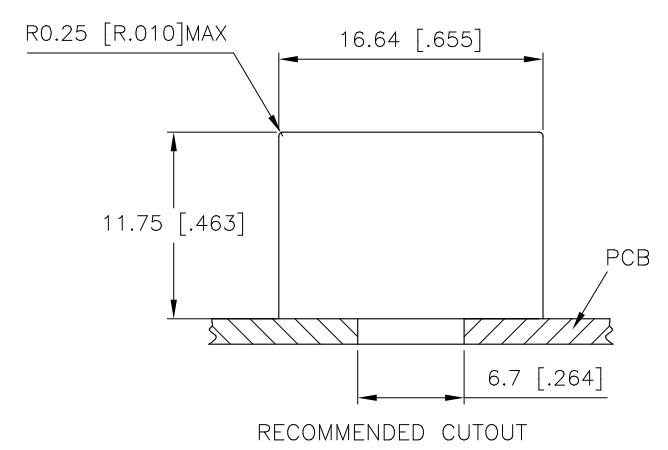


REVISIONS				
SYM	ZONE	ECN, ERN NO.	DATE	APPRD.
A		PROPOSAL	FEB24/2012	L.CHAN
B		PROPOSAL	MAR05/2012	L.CHAN
C		CORRECT PCB LAYOUT	SEP12/2012	L.CHAN



SHOWING FOR RJE73-188-00XX0  
(WITHOUT SHIELD TABS)

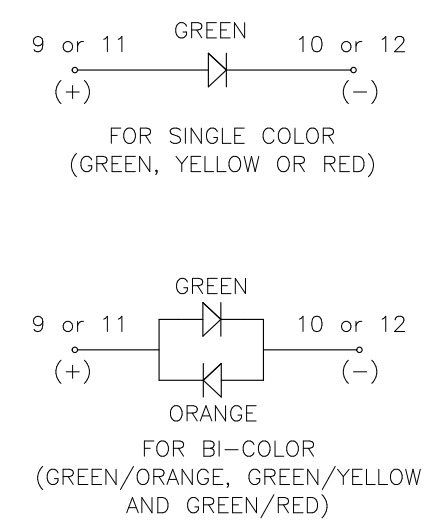
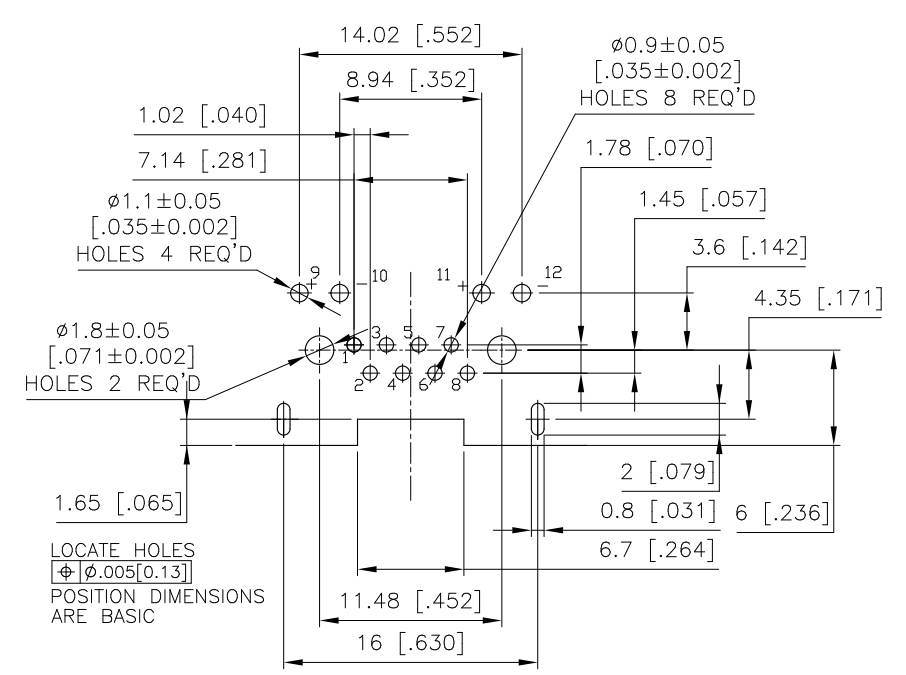


1. MATERIALS:  
 PLASTIC HOUSING: HIGH TEMPERATURE THERMOPLASTIC  
 FLAMMABILITY RATING UL 94V-0  
 COLOUR: BLACK
- CONTACTS: PHOSPHOR BRONZE  
 PLATING: SELECTIVE GOLD PLATING ON MATING SURFACES  
 SEE AMPHENOL PART NUMBER FOR DETAIL.  
 50 μ" [1.27 MICRONS]  
 MIN. NICKEL UNDERPLATE  
 100 μ" [2.54 MICRONS]  
 MIN. TIN ON CONTACT TAILS.
- SHIELD: STAINLESS STEEL WITH TIN DIP ON SOLDER TAIL

2. UNLESS OTHERWISE SPECIFIED DIMENSIONS ARE IN MILLIMETERS  
 TOLERANCES ARE: 0.30MM.

MATES WITH MODULAR PLUG CONFORMING TO FCC PART 68, SUBPART F.  
 RECOMMENDED SOLDER PROCESS: REFLOW SOLDER, PEAK TEMPERATURE  
 245° FOR 8~10 SECOND.

- AMPHENOL PART NUMBER: RJE73-188-00XXX
- GOLD PLATING OPTION  
 1=6u" GOLD PLATING  
 2=15u" GOLD PLATING  
 3=30u" GOLD PLATING  
 4=50u" GOLD PLATING
- GROUND TABS OPTION  
 0=WITHOUT TAB  
 1=WITH SIDE AND TOP TABS
- REFER TO LED OPTIONS DRAWING  
 FOR ORDERING CODES



LOCATE HOLES  
 ⌀0.005[0.13]  
 POSITION DIMENSIONS  
 ARE BASIC

DRAWN <i>Edwin.Qu</i>	DATE FEB24/2012	Amphenol Canada Corp.		
DESIGNED				
CHECKED <i>L.Chan</i>	DATE FEB24/2012	TITLE MODULAR JACK, 8 POSITIONS, 8 CONTACTS, SHIELDED, WITH LEDs, WITH TAPE & REEL PACKAGING -RoHS COMPLIANT		
I. E. APPRD.		DWG DRAWING NO. P-RJE73-188-00XXX		
Q. A. APPRD.		REV. C		
DWG. APPRD. <i>Adrian</i>	DATE FEB24/2012	SCALE		
ENG. REL. NO.		WT. ----- SURF. ----- SHEET 1 OF 1		
REF.		CODE ID. NO. 03554		
DIMENSIONS ARE IN mm [INCHES]				

THIS DOCUMENT CONTAINS PROPRIETARY INFORMATION AND SUCH INFORMATION  
 MAY NOT BE DISCLOSED TO OTHERS FOR ANY PURPOSE OR USED FOR MANUFACTURING  
 PURPOSES WITHOUT WRITTEN PERMISSION FROM AMPHENOL CANADA CORP.