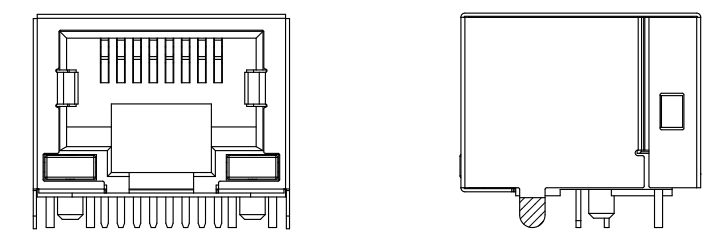
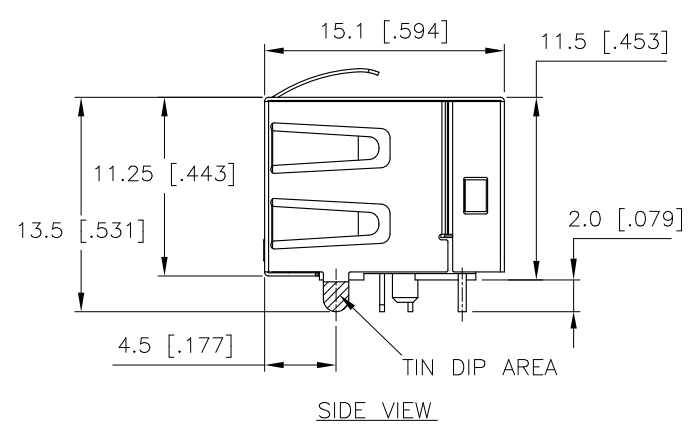
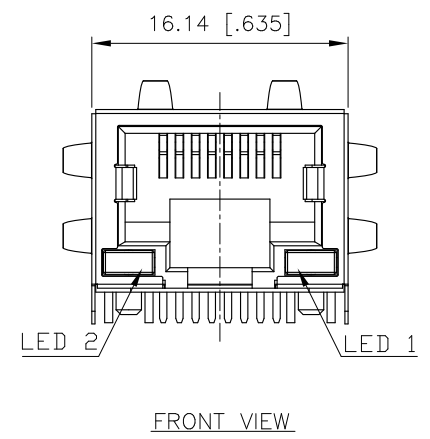
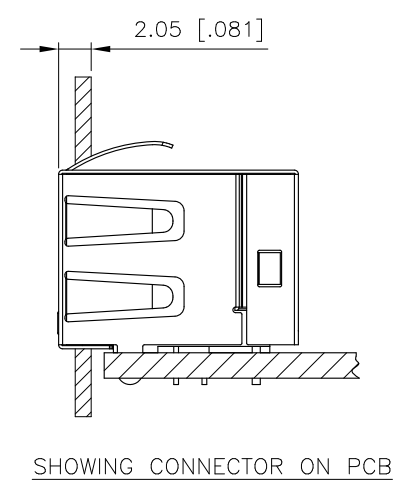
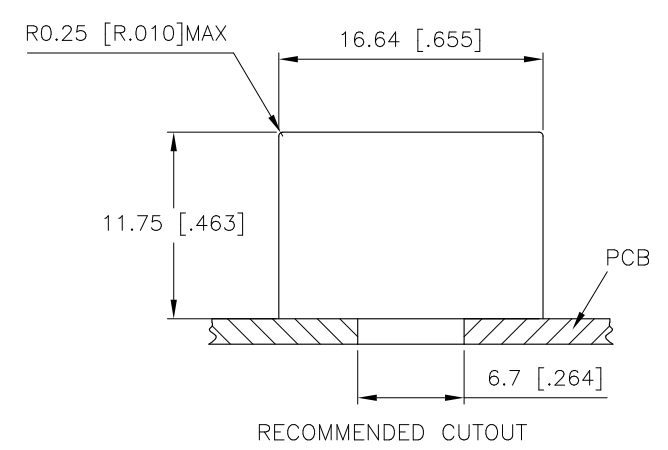


REVISIONS				
SYM	ZONE	ECN, ERN NO.	DATE	APPRD.
A		PROPOSAL	FEB24/2012	L.CHAN
B		PROPOSAL	MAR05/2012	L.CHAN
C		CORRECT PCB LAYOUT	SEP12/2012	L.CHAN



SHOWING FOR RJE73-188-00XX0  
(WITHOUT SHIELD TABS)



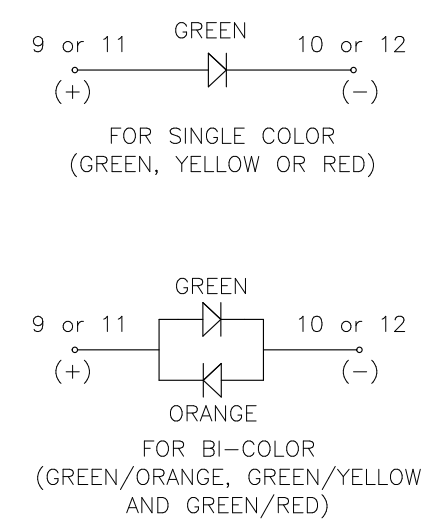
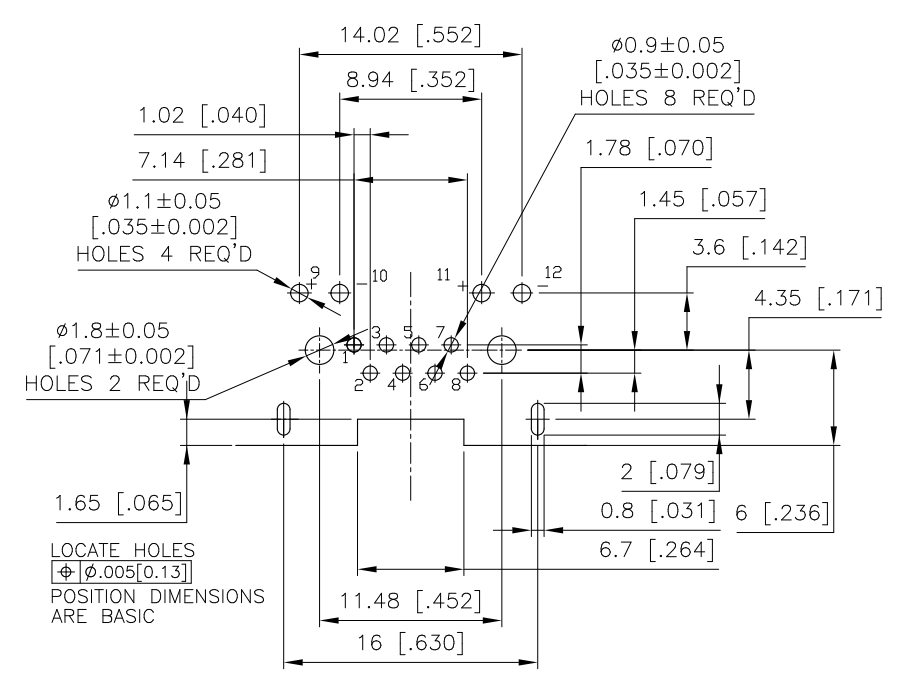
1. MATERIALS:  
 PLASTIC HOUSING: HIGH TEMPERATURE THERMOPLASTIC  
 FLAMMABILITY RATING UL 94V-0  
 COLOUR: BLACK
- CONTACTS: PHOSPHOR BRONZE  
 PLATING: SELECTIVE GOLD PLATING ON MATING SURFACES  
 SEE AMPHENOL PART NUMBER FOR DETAIL.  
 50 μ" [1.27 MICRONS]  
 MIN. NICKEL UNDERPLATE  
 100 μ" [2.54 MICRONS]  
 MIN. TIN ON CONTACT TAILS.
- SHIELD: STAINLESS STEEL WITH TIN DIP ON SOLDER TAIL

2. UNLESS OTHERWISE SPECIFIED DIMENSIONS ARE IN MILLIMETERS  
 TOLERANCES ARE: 0.30MM.

MATES WITH MODULAR PLUG CONFORMING TO FCC PART 68, SUBPART F.  
 RECOMMENDED SOLDER PROCESS: REFLOW SOLDER, PEAK TEMPERATURE  
 245° FOR 8~10 SECOND.

AMPHENOL PART NUMBER: RJE73-188-00XXX

- GOLD PLATING OPTION  
 1=6u" GOLD PLATING  
 2=15u" GOLD PLATING  
 3=30u" GOLD PLATING  
 4=50u" GOLD PLATING
- GROUND TABS OPTION  
 0=WITHOUT TAB  
 1=WITH SIDE AND TOP TABS
- REFER TO LED OPTIONS DRAWING  
 FOR ORDERING CODES



LOCATE HOLES  
 ⌀0.005[0.13]  
 POSITION DIMENSIONS  
 ARE BASIC

THIS DOCUMENT CONTAINS PROPRIETARY INFORMATION AND SUCH INFORMATION  
 MAY NOT BE DISCLOSED TO OTHERS FOR ANY PURPOSE OR USED FOR MANUFACTURING  
 PURPOSES WITHOUT WRITTEN PERMISSION FROM AMPHENOL CANADA CORP.

DRAWN <i>Edwin.Qu</i>	DATE <i>FEB24/2012</i>	<b>Amphenol Canada Corp.</b>		
DESIGNED				
CHECKED <i>L.Chan</i>	DATE <i>FEB24/2012</i>	TITLE		
I. E. APPRD.		MODULAR JACK, 8 POSITIONS, 8 CONTACTS, SHIELDED, WITH LEDs, WITH TAPE & REEL PACKAGING -RoHS COMPLIANT		
Q. A. APPRD.		DWG. APPRD. <i>Adrian</i> DATE <i>FEB24/2012</i>		
ENG. REL. NO.		DWG	DRAWING NO.	REV.
REF.			P-RJE73-188-00XXX	C
DIMENSIONS ARE IN mm [INCHES]	CODE ID. NO. 03554	SCALE	WT. -----	SURF. -----
				SHEET 1 OF 1