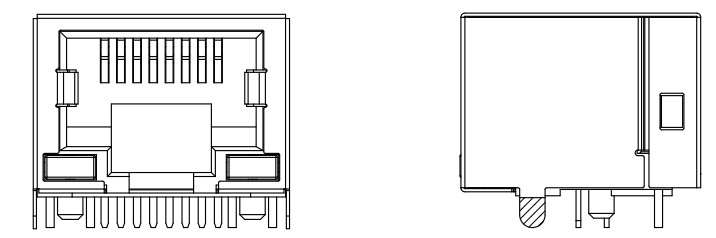
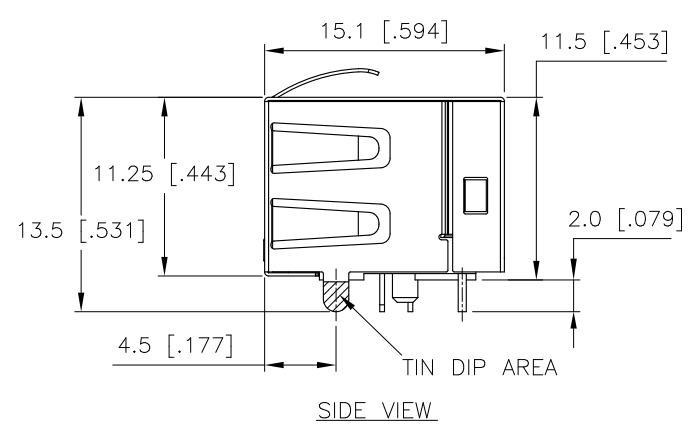
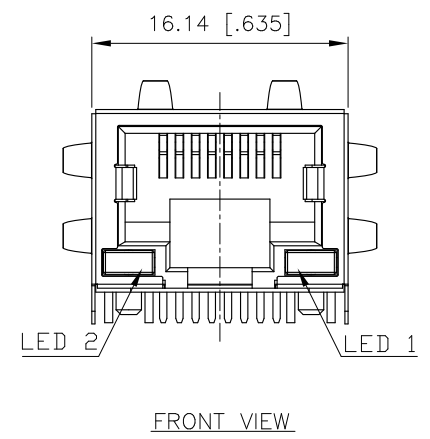
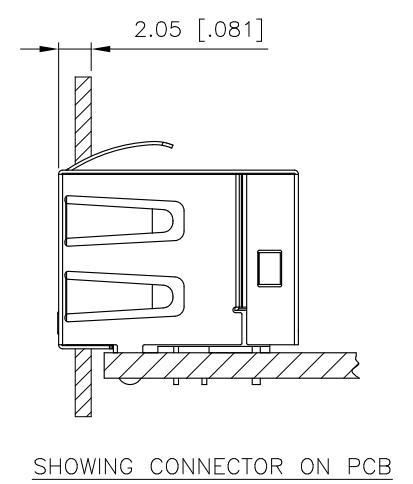
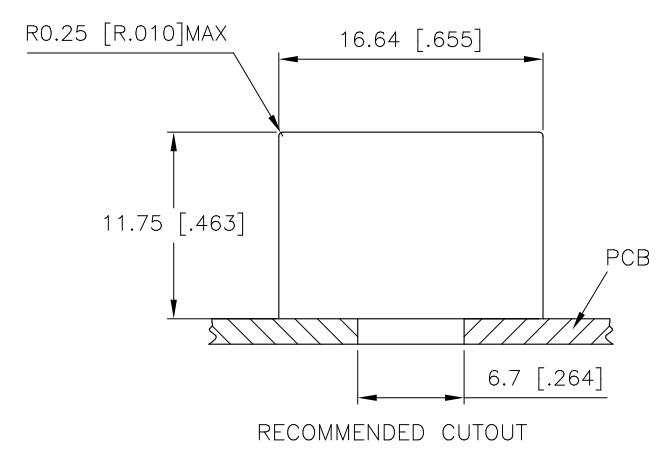


| REVISIONS |      |                    |            |        |
|-----------|------|--------------------|------------|--------|
| SYM       | ZONE | ECN, ERN NO.       | DATE       | APPRD. |
| A         |      | PROPOSAL           | FEB24/2012 | L.CHAN |
| B         |      | PROPOSAL           | MAR05/2012 | L.CHAN |
| C         |      | CORRECT PCB LAYOUT | SEP12/2012 | L.CHAN |



SHOWING FOR RJ45-188-00XX0  
(WITHOUT SHIELD TABS)



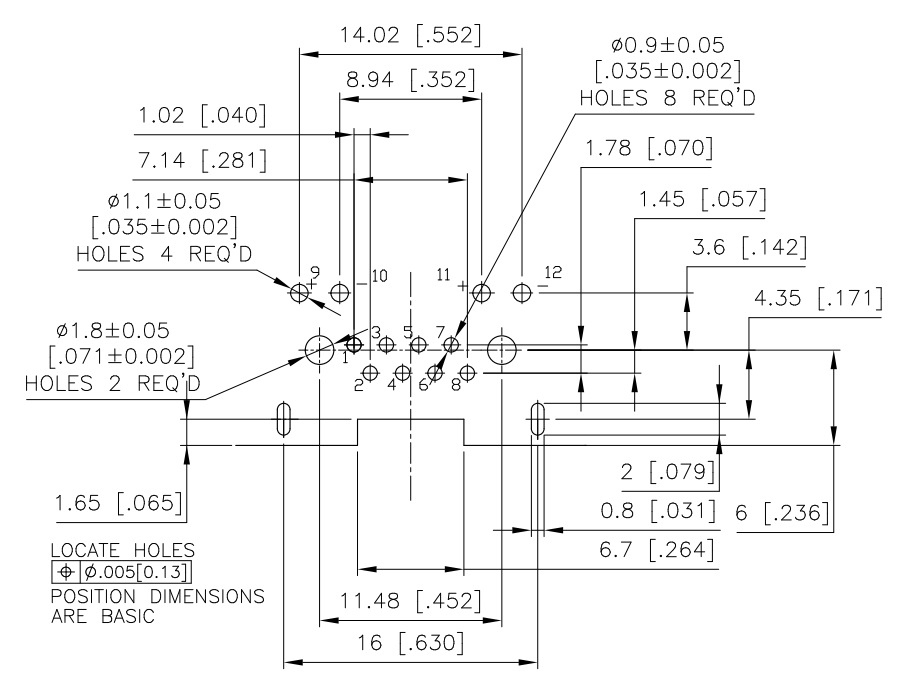
SHOWING CONNECTOR ON PCB

1. MATERIALS:  
 PLASTIC HOUSING: HIGH TEMPERATURE THERMOPLASTIC  
 FLAMMABILITY RATING UL 94V-0  
 COLOUR: BLACK
- CONTACTS: PHOSPHOR BRONZE  
 PLATING: SELECTIVE GOLD PLATING ON MATING SURFACES  
 SEE AMPHENOL PART NUMBER FOR DETAIL.  
 50 μ" [1.27 MICRONS]  
 MIN. NICKEL UNDERPLATE  
 100 μ" [2.54 MICRONS]  
 MIN. TIN ON CONTACT TAILS.
- SHIELD: STAINLESS STEEL WITH TIN DIP ON SOLDER TAIL

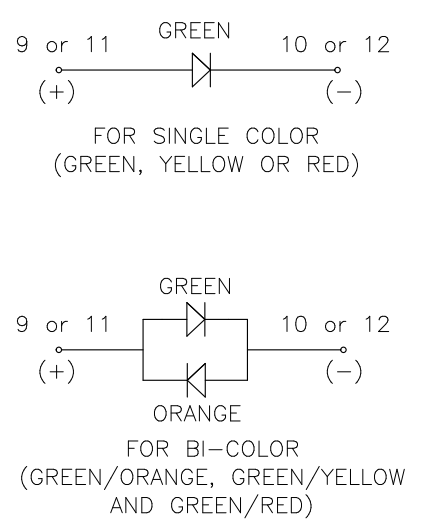
2. UNLESS OTHERWISE SPECIFIED DIMENSIONS ARE IN MILLIMETERS  
 TOLERANCES ARE: 0.30MM.

MATES WITH MODULAR PLUG CONFORMING TO FCC PART 68, SUBPART F.  
 RECOMMENDED SOLDER PROCESS: REFLOW SOLDER, PEAK TEMPERATURE  
 245° FOR 8~10 SECOND.

- AMPHENOL PART NUMBER: RJ45-188-00XXX
- GOLD PLATING OPTION:  
 1=6u" GOLD PLATING  
 2=15u" GOLD PLATING  
 3=30u" GOLD PLATING  
 4=50u" GOLD PLATING
- GROUND TABS OPTION:  
 0=WITHOUT TAB  
 1=WITH SIDE AND TOP TABS
- REFER TO LED OPTIONS DRAWING FOR ORDERING CODES



RECOMMENDED P.C.B LAYOUT  
(COMPONENT SIDE OF BOARD  
TOLERANCES: +/- 0.05[0.002])



LED SCHEMATIC

|                               |                    |  |     |        |
|-------------------------------|--------------------|--|-----|--------|
| DRAWN Edwin.Qu                | DATE FEB24/2012    | Amphenol Canada Corp.  |     |        |
| DESIGNED                      |                    |  |     |        |
| CHECKED L.Chan                | FEB24/2012         | TITLE  |     |        |
| I. E. APPRD.                  |                    | MODULAR JACK, 8 POSITIONS, 8 CONTACTS,<br>SHIELDED, WITH LEDs, WITH TAPE & REEL PACKAGING<br>-RoHS COMPLIANT |     |        |
| Q. A. APPRD.                  |                    | DWG DRAWING NO.  |     |        |
| DWG. APPRD. Adrian            | FEB24/2012         | P-RJE73-188-00XXX  |     | REV. C |
| ENG. REL. NO.                 |                    | SCALE  | WT. | SURF.  |
| REF.                          |                    | SHEET 1 OF 1   |     |        |
| DIMENSIONS ARE IN mm [INCHES] | CODE ID. NO. 03554 |  |     |        |

THIS DOCUMENT CONTAINS PROPRIETARY INFORMATION AND SUCH INFORMATION  
 MAY NOT BE DISCLOSED TO OTHERS FOR ANY PURPOSE OR USED FOR MANUFACTURING  
 PURPOSES WITHOUT WRITTEN PERMISSION FROM AMPHENOL CANADA CORP.