

REVISIONS			
REV	ECN, ERN NO.	DATE	APPRD.
G	PRODUCT DRAWING (EAR 14498)	NOV11/16	K.L.

ORDERING CODE: F C E 1 7 - E 0 9 P E - A 8 0 G

SERIES  
FCE17=FILTERED D-SUB, RoHS

SIZE/NUMBER OF CONTACTS  
E09, A15, B25, OR C37

CONNECTOR STYLE  
P=PIN  
S=SOCKET

TERMINATION TYPE  
E=VERTICAL MOUNT PCB TAIL

CONTACT FINISH/GOLD THICKNESS  
NO DIGIT=STANDARD 15 MICROINCHES  
[0.38 MICRONS] GOLD ON MATING AREA  
G=50 MICROINCHES [1.27 MICRONS]  
GOLD ON MATING AREA

MODIFIER  
O=STANDARD

FILTER CAPACITANCE  
D=50 pF      5=1000 pF  
B=100 pF     7=1200 pF  
O=180 pF     6=1300 pF  
F=330 pF     J=1500 pF  
L=380 pF     E=2200 pF  
1=470 pF     9=5600 pF  
4=820 pF     8=47000 pF  
N=NO FILTERS

REFER TO AMPHENOL CATALOGUE FOR FILTER PERFORMANCE CHARACTERISTICS

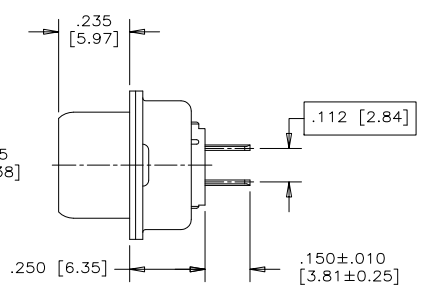
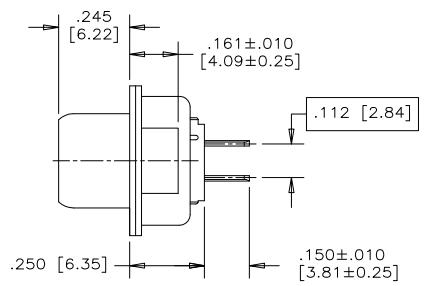
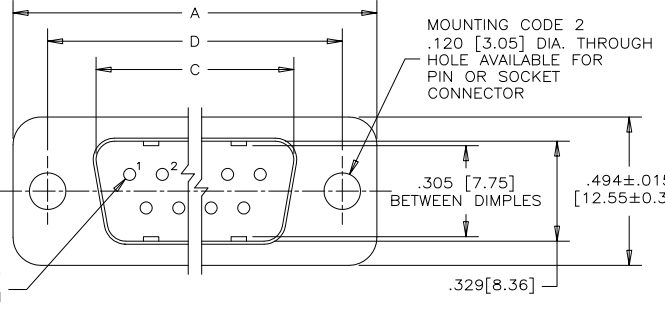
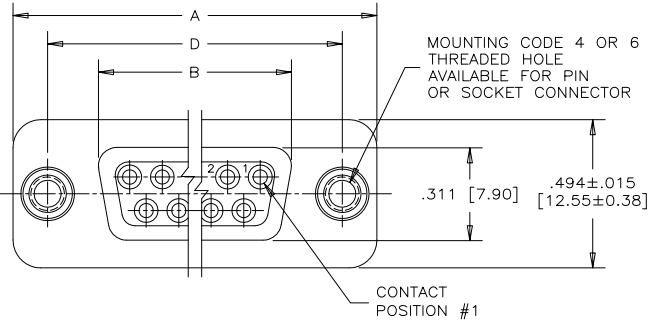
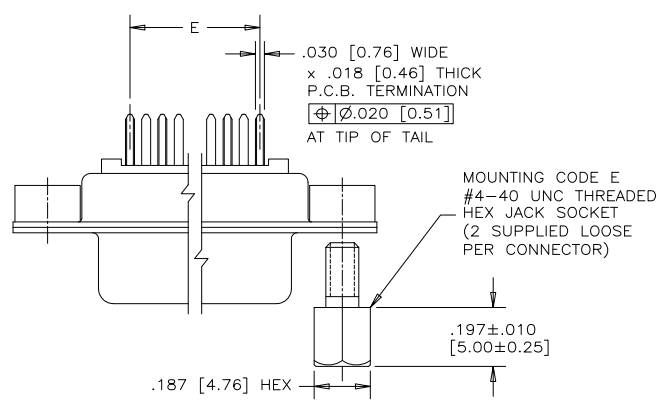


MOUNTING  
2=.120[3.05] DIA THROUGH HOLE  
3=#4-40 UNC SELF-LOCKING THREAD  
4=#4-40 UNC THREAD  
5=#4-40 UNC THREADED STANDOFF  
6=M3 x 0.5 THREAD  
9=STANDOFF WITH BOARDLOCK & #4-40 THREADED JACK SOCKETS INSTALLED  
A=#4-40 THREADED STANDOFF WITH BOARDLOCK  
E=CODE 4 MOUNTING WITH #4-40 UNC HEX JACK SOCKETS SUPPLIED  
J=M3 x 0.5 THREADED STANDOFF WITH BOARDLOCK

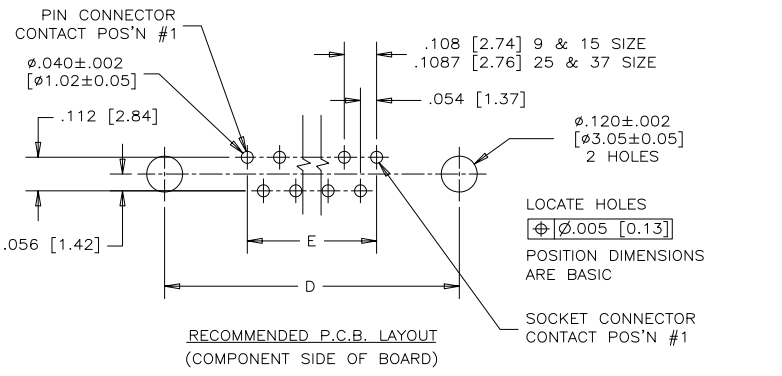
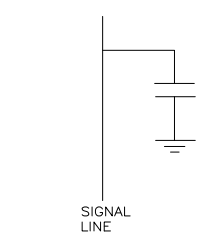
NOTES:

- MATERIALS: ALL MATERIALS ARE RoHS COMPLIANT.
  - SHELL: STEEL, TIN PLATED
  - CONTACTS: PHOSPHOR BRONZE, PLATED WITH GOLD OVER 50µ" [1.27 MICRONS] MINIMUM NICKEL IN THE MATING AREA AND 100µ" [2.54 MICRONS] MINIMUM MATTE TIN ON THE TAILS
  - INSULATOR: ENGINEERING THERMOPLASTIC, GLASS REINFORCED, UL FLAMMABILITY RATING 94V-0, COLOUR: BLACK
  - BOARDLOCK: COPPER ALLOY, TIN PLATED
  - MOUNTING HARDWARE, STEEL OR COPPER ALLOY, TIN OR NICKEL PLATED.
- CONTACT RESISTANCE: 15 MILLIOHMS MAXIMUM
- INSULATION RESISTANCE: 3000 MEGOHMS MINIMUM
- CURRENT RATING: 5 AMPS MAXIMUM
- OPERATING TEMPERATURE: -40°C TO 85°C
- TOLERANCE UNLESS INDICATED OTHERWISE: ±.005 [0.13]

SIZE	STYLE	A±.015 [0.38]	B±.005 [0.13]	C±.005 [0.13]	D±.005 [0.13]	E BSC.
E09	PIN	1.213 [30.81]	-----	.666 [16.92]	.984 [24.99]	.432 [10.97]
	SOCKET	-----	.643 [16.33]	-----	-----	-----
A15	PIN	1.541 [39.14]	-----	.994 [25.25]	1.312 [33.32]	.756 [19.20]
	SOCKET	-----	.971 [24.66]	-----	-----	-----
B25	PIN	2.088 [53.04]	-----	1.534 [38.96]	1.852 [47.04]	1.304 [33.12]
	SOCKET	-----	1.511 [38.38]	-----	-----	-----
C37	PIN	2.729 [69.32]	-----	2.182 [55.42]	2.500 [63.50]	1.956 [49.68]
	SOCKET	-----	2.159 [54.84]	-----	-----	-----



CAPACITANCE SCHEMATIC FOR EACH POSITION



SEE SHEET #2 FOR ADDITIONAL MOUNTING OPTIONS.

SEE SHEET #3 FOR MATING FACE VIEWS.

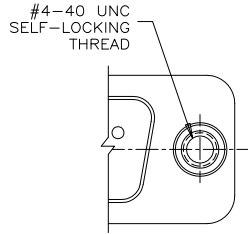
DRAWN K. LAMBIE	DATE MAY13/05
DESIGNED	
CHECKED	
I. E. APPRD.	
Q. A. APPRD.	
DWG. APPRD.	
ENG. REL. NO.	
REF. EAR #12744	
DIMENSIONS ARE IN INCHES [mm]	CODE ID. NO. 03554

Amphenol Canada Corp.	
TITLE FCE17 SERIES FILTERED D-SUB CONNECTOR, PIN & SOCKET, VERTICAL MOUNT PCB TAIL, VARIOUS MOUNTING OPTIONS, RoHS COMPLIANT	
DWG C	DRAWING NO. P-FCE17-XXXXE-XX0X
SCALE 3/1	WT. ----- SURF. ----- SHEET 1 of 3

THIS DOCUMENT CONTAINS PROPRIETARY INFORMATION AND SUCH INFORMATION MAY NOT BE DISCLOSED TO OTHERS FOR ANY PURPOSE OR USED FOR MANUFACTURING PURPOSES WITHOUT WRITTEN PERMISSION FROM AMPHENOL CANADA CORP.

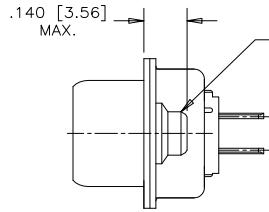
REVISIONS			
REV	ECN, ERN NO.	DATE	APPRD.
G	PRODUCT DRAWING (EAR 14498)	NOV11/16	K.L.

ADDITIONAL MOUNTING OPTIONS AVAILABLE FOR PIN OR SOCKET CONNECTOR



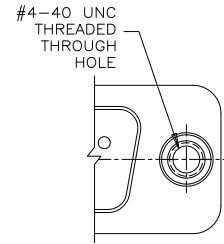
PARTIAL FRONT VIEW

MOUNTING CODE 3



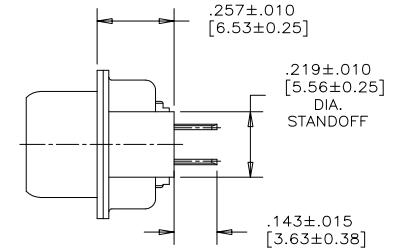
END VIEW

VIEW FOR E09, A15 & B25 SIZE. FOR C37 SIZE VIEW SEE MOUNTING CODE 4, SHEET 1.

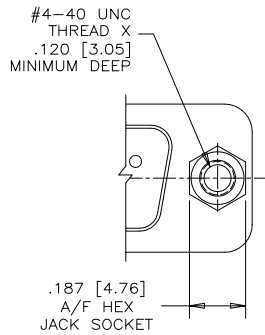


PARTIAL FRONT VIEW

MOUNTING CODE 5

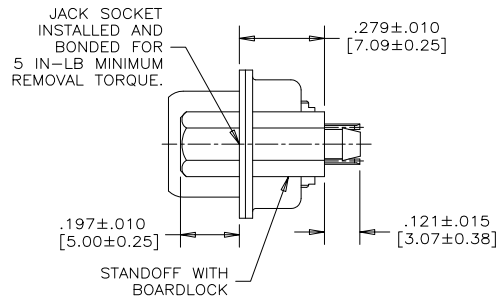


END VIEW



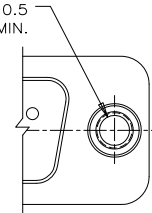
PARTIAL FRONT VIEW

MOUNTING CODE 9



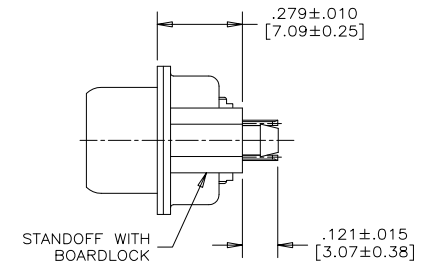
END VIEW

MOUNTING CODE A - #4-40 UNC  
MOUNTING CODE J - M3 x 0.5  
THREAD DEPTH .220 [5.59] MIN.



PARTIAL FRONT VIEW

MOUNTING CODES A & J



END VIEW



DRAWN K. LAMBIE	DATE MAY13/05
DESIGNED	
CHECKED	
I. E. APPRD.	
Q. A. APPRD.	
DWG. APPRD.	
ENG. REL. NO.	
REF. EAR #12744	
DIMENSIONS ARE IN INCHES [mm]	CODE ID. NO. 03554

Amphenol Canada Corp.

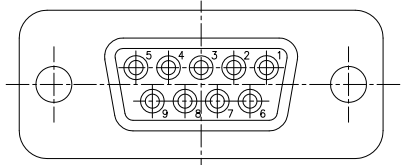
TITLE  
FCE17 SERIES FILTERED D-SUB CONNECTOR, PIN & SOCKET, VERTICAL MOUNT PCB TAIL, VARIOUS MOUNTING OPTIONS, RoHS COMPLIANT

DWG. C	DRAWING NO. P-FCE17-XXXXE-XX0X	REV. G
SCALE 3/1	WT. -----	SURF. -----
		SHEET 2 OF 3

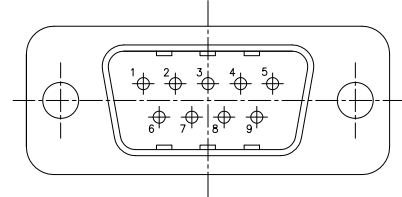
THIS DOCUMENT CONTAINS PROPRIETARY INFORMATION AND SUCH INFORMATION MAY NOT BE DISCLOSED TO OTHERS FOR ANY PURPOSE OR USED FOR MANUFACTURING PURPOSES WITHOUT WRITTEN PERMISSION FROM AMPHENOL CANADA CORP.

REVISIONS			
REV	ECN, ERN NO.	DATE	APPRD.
G	PRODUCT DRAWING (EAR 14498)	NOV11/16	K.L.

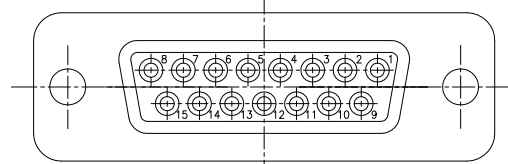
MATING FACE VIEWS  
SHOWING CONTACT POSITION NUMBERS



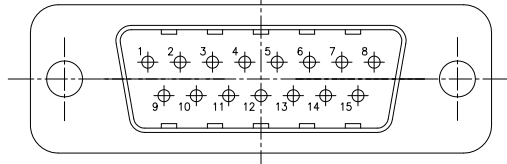
9 SIZE  
SOCKET



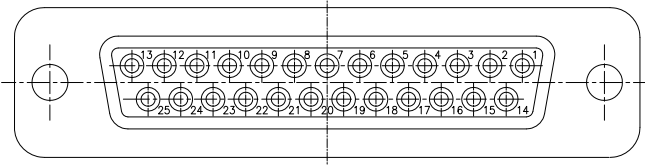
9 SIZE  
PIN



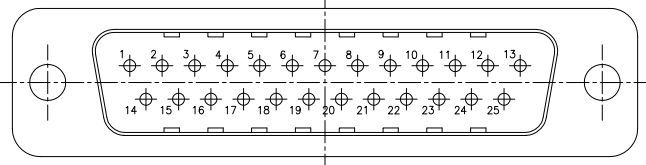
15 SIZE  
SOCKET



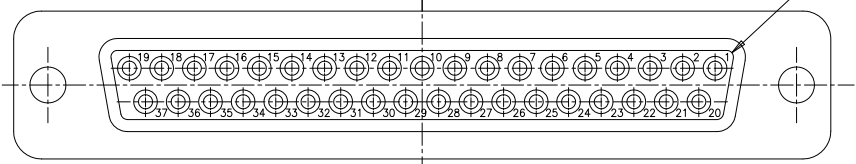
15 SIZE  
PIN



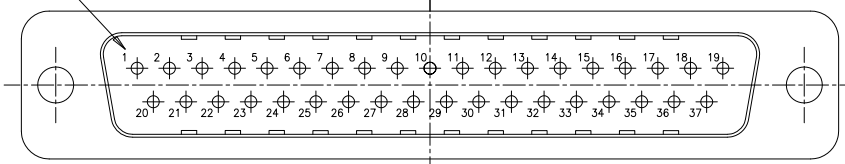
25 SIZE  
SOCKET



25 SIZE  
PIN



37 SIZE  
SOCKET



37 SIZE  
PIN

CONTACT  
POSITION #1



DRAWN <i>K. LAMBIE</i>		DATE <i>MAY13/05</i>		Amphenol Canada Corp.	
DESIGNED					
CHECKED				TITLE	
I. E. APPRD.				FCE17 SERIES FILTERED D-SUB CONNECTOR, PIN & SOCKET, VERTICAL MOUNT PCB TAIL, VARIOUS MOUNTING OPTIONS, RoHS COMPLIANT	
DWG. APPRD.				REV.	
ENG. REL. NO.				DWG	DRAWING NO.
REF. <i>EAR #12744</i>				C	P-FCE17-XXXXE-XX0X
DIMENSIONS ARE IN		CODE ID. NO.		SHEET 3 of 3	
INCHES [mm]		03554		SCALE	3/1
				WT.	-----
				SURF.	-----

THIS DOCUMENT CONTAINS PROPRIETARY INFORMATION AND SUCH INFORMATION MAY NOT BE DISCLOSED TO OTHERS FOR ANY PURPOSE OR USED FOR MANUFACTURING PURPOSES WITHOUT WRITTEN PERMISSION FROM AMPHENOL CANADA CORP.