

| REVISIONS | | | |
|-----------|-----------------------------|----------|--------|
| REV | ECN, ERN NO. | DATE | APPRD. |
| G | PRODUCT DRAWING (EAR 14498) | NOV11/16 | K.L. |

ORDERING CODE: F C E 1 7 - E 0 9 P E - A 8 0 G

SERIES
FCE17=FILTERED D-SUB, RoHS

SIZE/NUMBER OF CONTACTS
E09, A15, B25, OR C37

CONNECTOR STYLE
P=PIN
S=SOCKET

TERMINATION TYPE
E=VERTICAL MOUNT PCB TAIL

CONTACT FINISH/GOLD THICKNESS
NO DIGIT=STANDARD 15 MICROINCHES
[0.38 MICRONS] GOLD ON MATING AREA
G=50 MICROINCHES [1.27 MICRONS]
GOLD ON MATING AREA

MODIFIER
O=STANDARD

FILTER CAPACITANCE
D=50 pF 5=1000 pF
B=100 pF 7=1200 pF
O=180 pF 6=1300 pF
F=330 pF J=1500 pF
L=380 pF E=2200 pF
1=470 pF 9=5600 pF
4=820 pF 8=47000 pF
N=NO FILTERS

REFER TO AMPHENOL CATALOGUE FOR FILTER PERFORMANCE CHARACTERISTICS

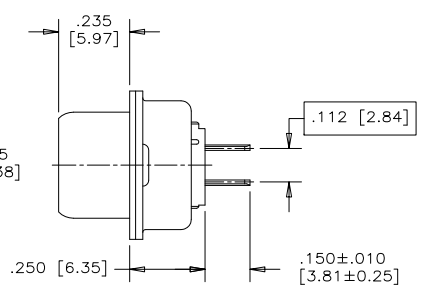
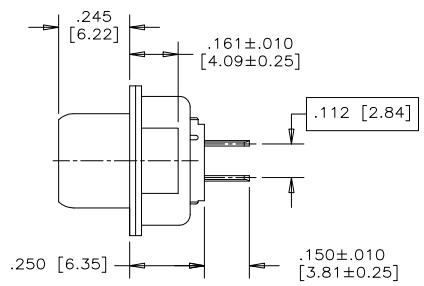
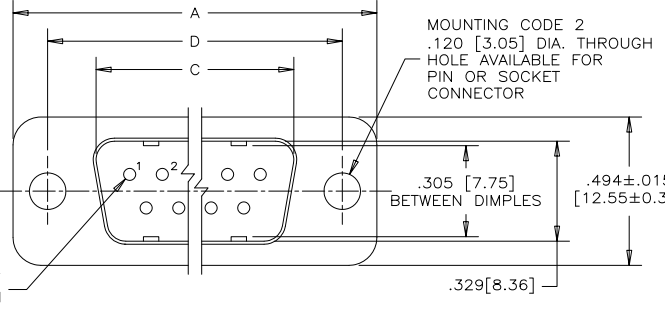
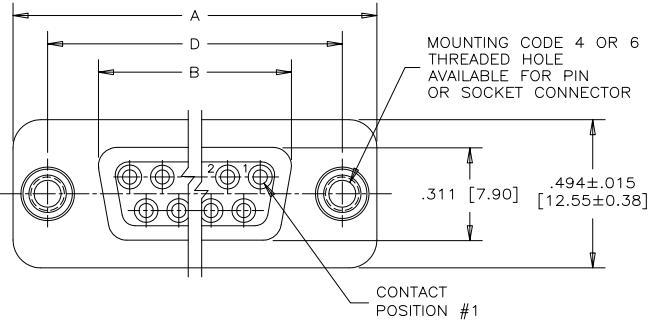
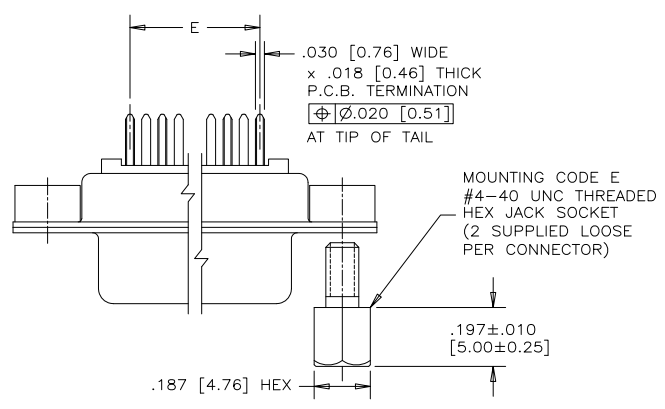


MOUNTING
2=.120[3.05] DIA THROUGH HOLE
3=#4-40 UNC SELF-LOCKING THREAD
4=#4-40 UNC THREAD
5=#4-40 UNC THREADED STANDOFF
6=M3 x 0.5 THREAD
9=STANDOFF WITH BOARDLOCK & #4-40 THREADED JACK SOCKETS INSTALLED
A=#4-40 THREADED STANDOFF WITH BOARDLOCK
E=CODE 4 MOUNTING WITH #4-40 UNC HEX JACK SOCKETS SUPPLIED
J=M3 x 0.5 THREADED STANDOFF WITH BOARDLOCK

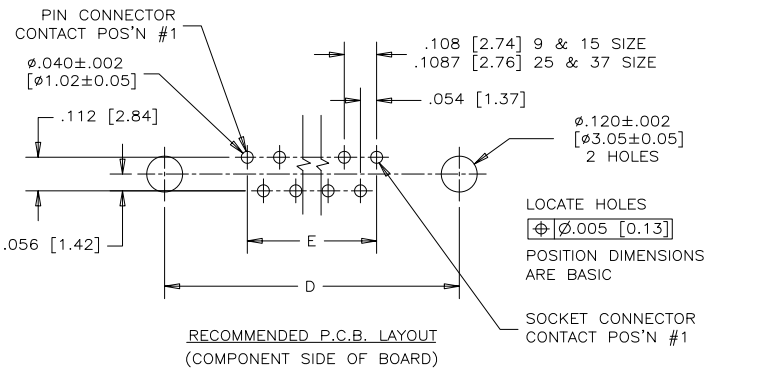
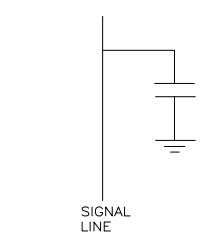
NOTES:

- MATERIALS: ALL MATERIALS ARE RoHS COMPLIANT.
 - SHELL: STEEL, TIN PLATED
 - CONTACTS: PHOSPHOR BRONZE, PLATED WITH GOLD OVER 50µ" [1.27 MICRONS] MINIMUM NICKEL IN THE MATING AREA AND 100µ" [2.54 MICRONS] MINIMUM MATTE TIN ON THE TAILS
 - INSULATOR: ENGINEERING THERMOPLASTIC, GLASS REINFORCED, UL FLAMMABILITY RATING 94V-0, COLOUR: BLACK
 - BOARDLOCK: COPPER ALLOY, TIN PLATED
 - MOUNTING HARDWARE, STEEL OR COPPER ALLOY, TIN OR NICKEL PLATED.
- CONTACT RESISTANCE: 15 MILLIOHMS MAXIMUM
- INSULATION RESISTANCE: 3000 MEGOHMS MINIMUM
- CURRENT RATING: 5 AMPS MAXIMUM
- OPERATING TEMPERATURE: -40°C TO 85°C
- TOLERANCE UNLESS INDICATED OTHERWISE: ±.005 [0.13]

| SIZE | STYLE | A±.015 [0.38] | B±.005 [0.13] | C±.005 [0.13] | D±.005 [0.13] | E BSC. |
|------|--------|---------------|---------------|---------------|---------------|---------------|
| E09 | PIN | 1.213 [30.81] | ----- | .666 [16.92] | .984 [24.99] | .432 [10.97] |
| | SOCKET | ----- | .643 [16.33] | ----- | ----- | ----- |
| A15 | PIN | 1.541 [39.14] | ----- | .994 [25.25] | 1.312 [33.32] | .756 [19.20] |
| | SOCKET | ----- | .971 [24.66] | ----- | ----- | ----- |
| B25 | PIN | 2.088 [53.04] | ----- | 1.534 [38.96] | 1.852 [47.04] | 1.304 [33.12] |
| | SOCKET | ----- | 1.511 [38.38] | ----- | ----- | ----- |
| C37 | PIN | 2.729 [69.32] | ----- | 2.182 [55.42] | 2.500 [63.50] | 1.956 [49.68] |
| | SOCKET | ----- | 2.159 [54.84] | ----- | ----- | ----- |



CAPACITANCE SCHEMATIC FOR EACH POSITION



SEE SHEET #2 FOR ADDITIONAL MOUNTING OPTIONS.

SEE SHEET #3 FOR MATING FACE VIEWS.

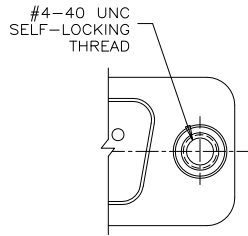
| | |
|-------------------------------|--------------------|
| DRAWN K. LAMBIE | DATE MAY13/05 |
| DESIGNED | |
| CHECKED | |
| I. E. APPRD. | |
| Q. A. APPRD. | |
| DWG. APPRD. | |
| ENG. REL. NO. | |
| REF. EAR #12744 | |
| DIMENSIONS ARE IN INCHES [mm] | CODE ID. NO. 03554 |

| | |
|---|------------------------------------|
| Amphenol Canada Corp. | |
| TITLE FCE17 SERIES FILTERED D-SUB CONNECTOR, PIN & SOCKET, VERTICAL MOUNT PCB TAIL, VARIOUS MOUNTING OPTIONS, RoHS COMPLIANT | |
| DWG C | DRAWING NO. P-FCE17-XXXXE-XX0X |
| SCALE 3/1 | WT. ----- SURF. ----- SHEET 1 of 3 |

THIS DOCUMENT CONTAINS PROPRIETARY INFORMATION AND SUCH INFORMATION MAY NOT BE DISCLOSED TO OTHERS FOR ANY PURPOSE OR USED FOR MANUFACTURING PURPOSES WITHOUT WRITTEN PERMISSION FROM AMPHENOL CANADA CORP.

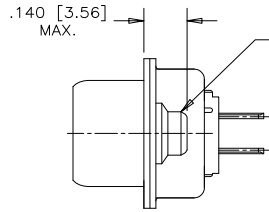
| REVISIONS | | | |
|-----------|-----------------------------|----------|--------|
| REV | ECN, ERN NO. | DATE | APPRD. |
| G | PRODUCT DRAWING (EAR 14498) | NOV11/16 | K.L. |

ADDITIONAL MOUNTING OPTIONS AVAILABLE FOR PIN OR SOCKET CONNECTOR



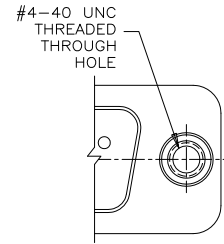
PARTIAL FRONT VIEW

MOUNTING CODE 3



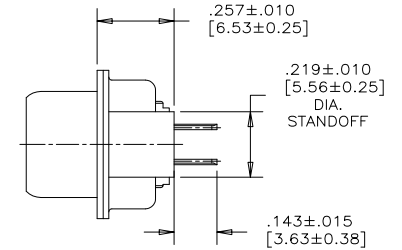
END VIEW

VIEW FOR E09, A15 & B25 SIZE. FOR C37 SIZE VIEW SEE MOUNTING CODE 4, SHEET 1.

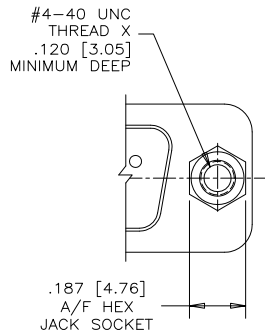


PARTIAL FRONT VIEW

MOUNTING CODE 5

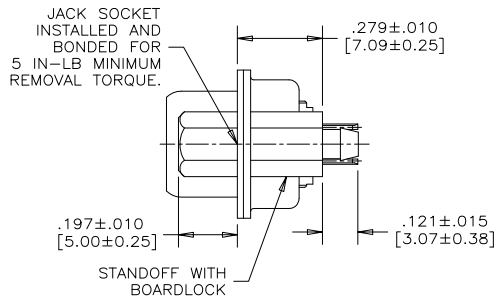


END VIEW



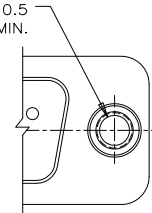
PARTIAL FRONT VIEW

MOUNTING CODE 9



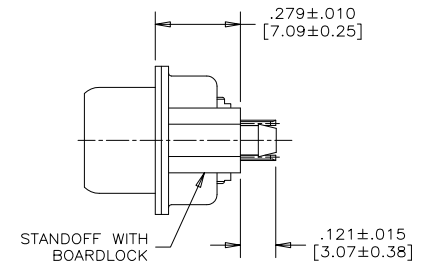
END VIEW

MOUNTING CODE A - #4-40 UNC
MOUNTING CODE J - M3 x 0.5
THREAD DEPTH .220 [5.59] MIN.



PARTIAL FRONT VIEW

MOUNTING CODES A & J



END VIEW



| | |
|-------------------------------|--------------------|
| DRAWN K. LAMBIE | DATE MAY13/05 |
| DESIGNED | |
| CHECKED | |
| I. E. APPRD. | |
| Q. A. APPRD. | |
| DWG. APPRD. | |
| ENG. REL. NO. | |
| REF. EAR #12744 | |
| DIMENSIONS ARE IN INCHES [mm] | CODE ID. NO. 03554 |

Amphenol Canada Corp.

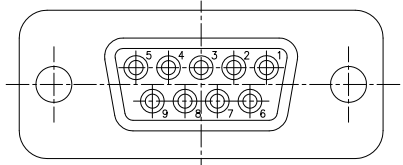
TITLE
FCE17 SERIES FILTERED D-SUB CONNECTOR, PIN & SOCKET, VERTICAL MOUNT PCB TAIL, VARIOUS MOUNTING OPTIONS, RoHS COMPLIANT

| | | |
|-----------|--------------------------------|--------------|
| DWG. C | DRAWING NO. P-FCE17-XXXXE-XX0X | REV. G |
| SCALE 3/1 | WT. ----- | SURF. ----- |
| | | SHEET 2 OF 3 |

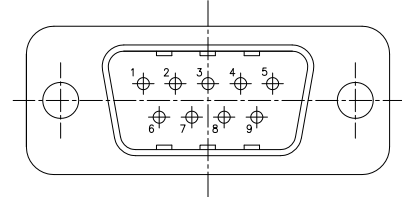
THIS DOCUMENT CONTAINS PROPRIETARY INFORMATION AND SUCH INFORMATION MAY NOT BE DISCLOSED TO OTHERS FOR ANY PURPOSE OR USED FOR MANUFACTURING PURPOSES WITHOUT WRITTEN PERMISSION FROM AMPHENOL CANADA CORP.

| REVISIONS | | | |
|-----------|-----------------------------|----------|--------|
| REV | ECN, ERN NO. | DATE | APPRD. |
| G | PRODUCT DRAWING (EAR 14498) | NOV11/16 | K.L. |

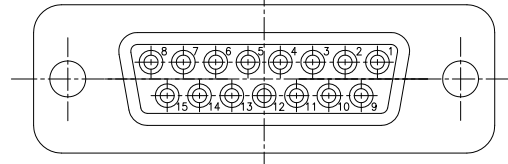
MATING FACE VIEWS
SHOWING CONTACT POSITION NUMBERS



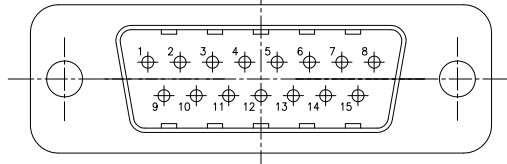
9 SIZE
SOCKET



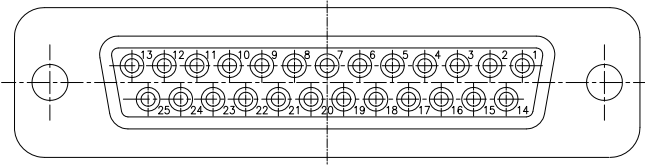
9 SIZE
PIN



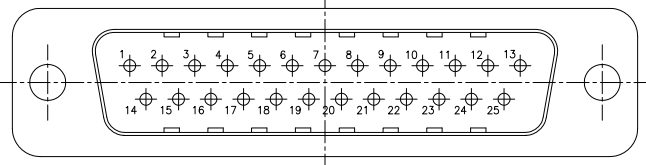
15 SIZE
SOCKET



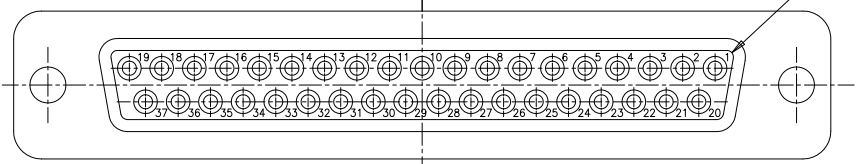
15 SIZE
PIN



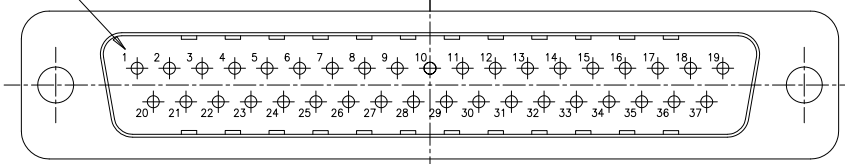
25 SIZE
SOCKET



25 SIZE
PIN



37 SIZE
SOCKET



37 SIZE
PIN

CONTACT
POSITION #1



| | | | |
|-------------------------------|--------------------|--|------------------------------------|
| DRAWN K. LAMBIE | DATE MAY13/05 | Amphenol Canada Corp. | |
| DESIGNED | | TITLE | |
| CHECKED | | FCE17 SERIES FILTERED D-SUB CONNECTOR, PIN & SOCKET, VERTICAL MOUNT PCB TAIL, VARIOUS MOUNTING OPTIONS, RoHS COMPLIANT | |
| I. E. APPRD. | | DWG | REV. |
| DWG. APPRD. | | C | G |
| ENG. REL. NO. | | DRAWING NO. | |
| REF. EAR #12744 | | P-FCE17-XXXXE-XX0X | |
| DIMENSIONS ARE IN INCHES [mm] | CODE ID. NO. 03554 | SCALE 3/1 | WT. ----- SURF. ----- SHEET 3 OF 3 |

THIS DOCUMENT CONTAINS PROPRIETARY INFORMATION AND SUCH INFORMATION MAY NOT BE DISCLOSED TO OTHERS FOR ANY PURPOSE OR USED FOR MANUFACTURING PURPOSES WITHOUT WRITTEN PERMISSION FROM AMPHENOL CANADA CORP.