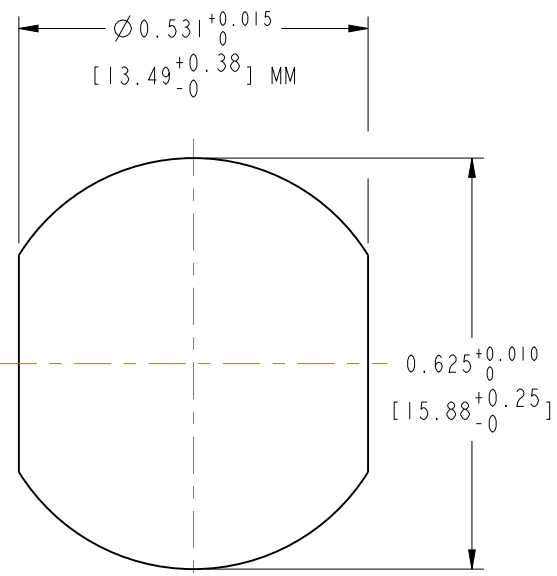


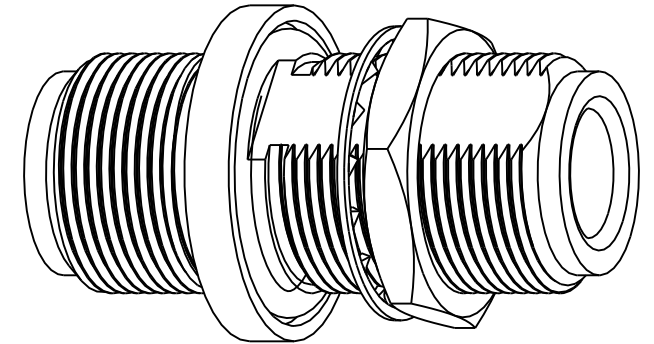
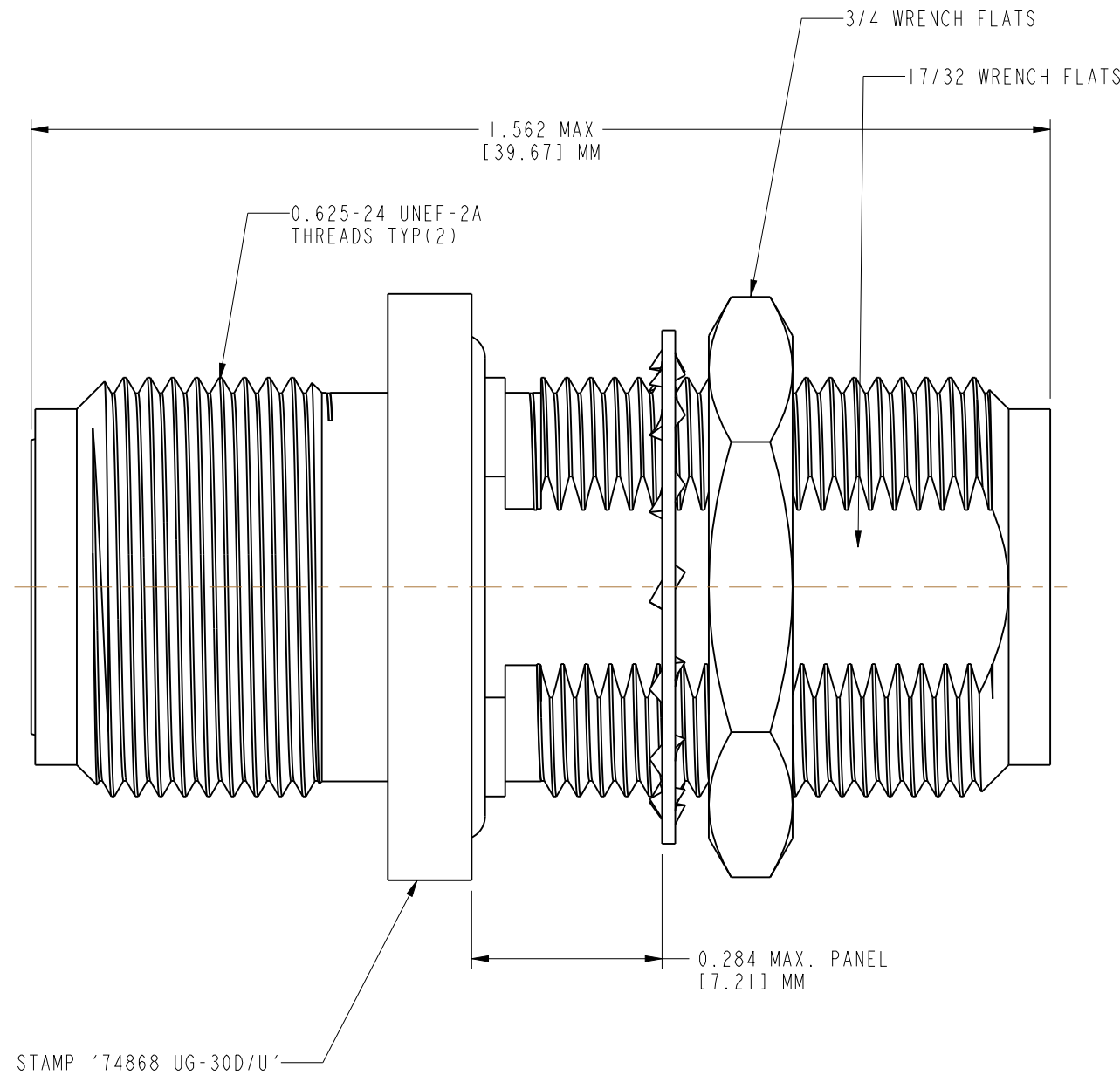
NOTES:

1. MATERIAL AND FINISHES
 BODY, BUSHING LOCK WASHER, HEX NUT- BRASS, SILVER PLATING
 CONTACT-BERYLIUM COPPER, SILVER PLATING
 INSULATOR -PTFE
 GASKET-SILICONE
2. ELECTRICAL
 A. IMPEDANCE: 50 OHM
3. MECHANICAL
 A. DURABILITY: 500 CYCLES MIN.
 B. COUPLING TORQUE: 15 IN-LBS. MAX
 C. TEMPERATURE RANGE: -65°C TO 165°C
5. PACKAGING
 A. PACKAGE ADAPTER AS PER ROUTING INSTRUCTIONS
 B. MARK BAG OR TAG "AMPHENOLRF, 000-91100 YYWW"

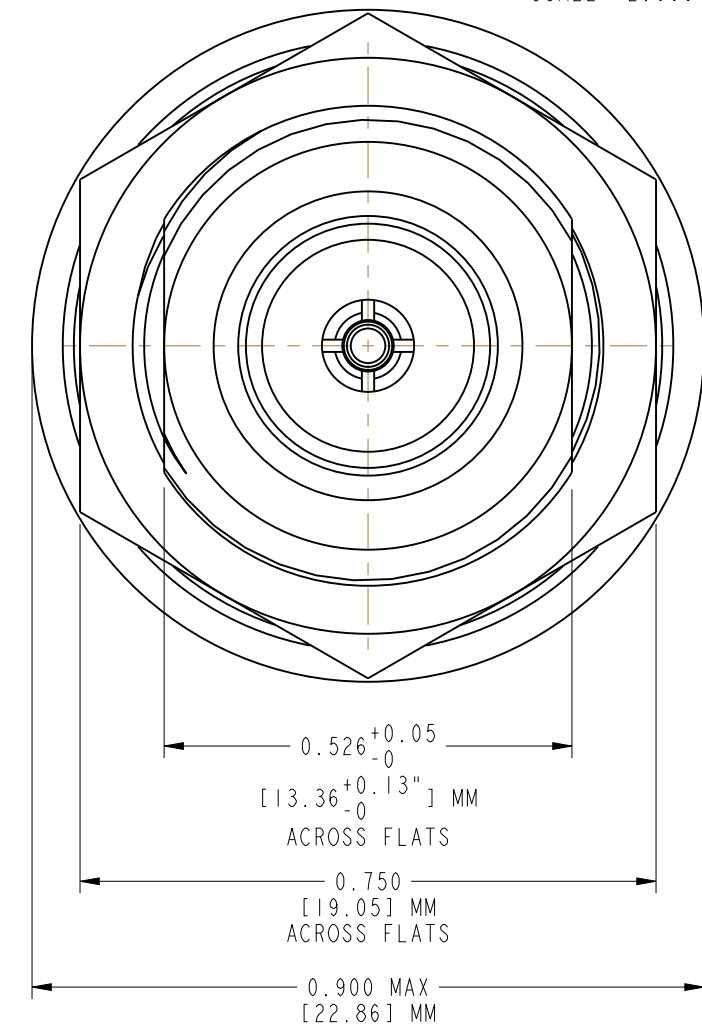
91100	REVISIONS				
DRAWING NO.	REV	DESCRIPTION	DATE	ECO	APPR
THIRD ANGLE PROJ.	--	RELEASE TO MFG.	-----	-----	-----
	AB	REDRAWN IN PRO-E, ADDED COD	1/14/13	48616	HR



RECOMMENDED MOUNTING HOLE DIMENSIONS



SCALE 2.000



CUSTOMER OUTLINE DRAWING

ALL OTHER SHEETS ARE FOR INTERNAL USE ONLY

UNLESS OTHERWISE SPECIFIED, DIMENSIONS ARE IN INCHES AND TOLERANCES ARE: 2 PLACE DECIMAL 3 PLACE DECIMAL ± 0.015 (0,381 mm) ± 0.005 (0,127 mm)	MATERIAL	DRAWN HARI R	DATE 08-Jun-11	TITLE TYPE N ADAPTER PRESSURIZED JACK/JACK UG-30D	Amphenol Amphenol Corporation Communication and Network Products Division Danbury, CT U.S.A. 06810
	REFERENCE	ENGINEER HARI R	DATE 08-Jun-11		
NOTICE - These drawings, specifications, or other data (1) are, and remain the property of Amphenol Corp. (2) must be returned upon request; and (3) are confidential and not to be disclosed to any person other than those to whom they are given by Amphenol Corp. The furnishing of these drawings, specifications, or other data by Amphenol Corp., or to any other person to anyone for any purpose is not to be regarded by implication or otherwise in any manner licensing, granting rights or permitting such holder or any other person to manufacture, use or sell any product, process or design, patented or otherwise, that may in any way be related to or disclosed by said drawings, specifications, or other data.		APPROVED K. CAPOZZI	DATE 1/14/13	SCALE: 1.0:1	SHEET 2 OF 2
		CAD FILE	CODE ID 74868	DWG SIZE B	DRAWING NO. 91100