

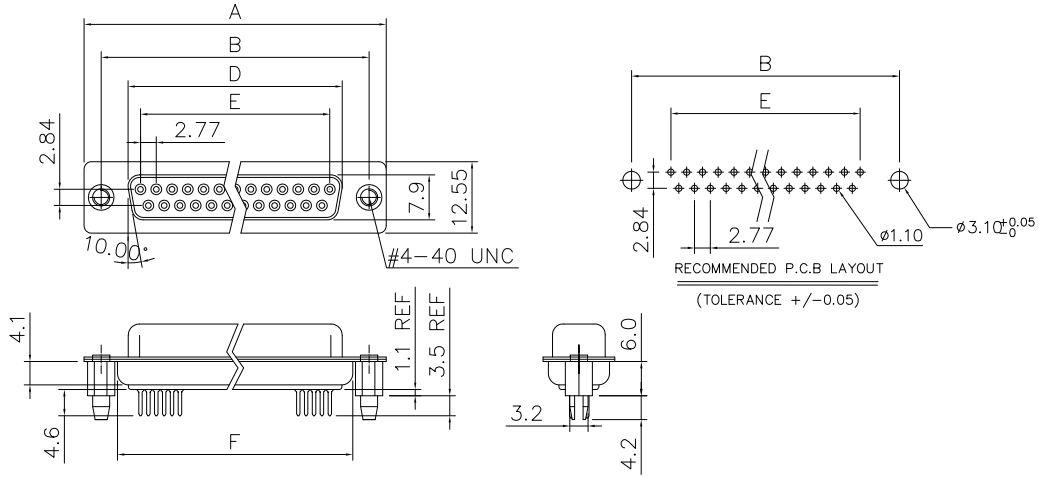
This document is the property of Amphenol Corporation and is delivered on the express condition that it is not to be disclosed, reproduced or used, in whole or in part, for manufacture or sale by anyone other than Amphenol Corporation without its prior consent, & that no right is granted to disclose or to use any information in this document.

# Customer drawing

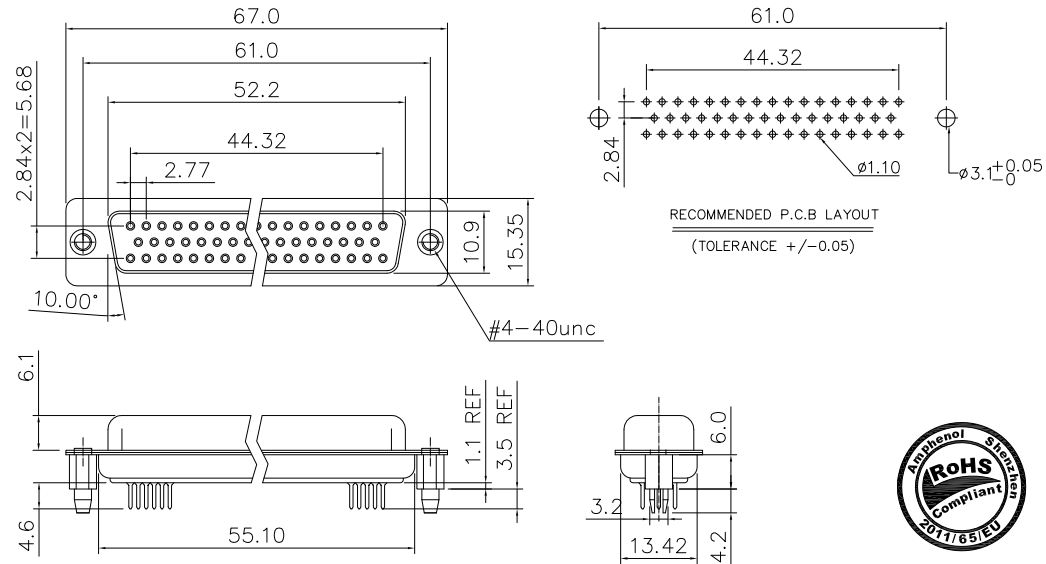
REVISIONS				
SYM	ECN	DESCRIPTION	DATE	APPROVED
1	HK--	First Release Drawing	08/05/09	IP
2	HK--	Update the Drawing	09/06/13	IP
3	HK--	Add dimensions on tail	06/06/14	IP

## D-SUB TECHNICAL DATA

SHELL : Steel, 100u" min tin over 50u" min nickel over 50u" min copper  
 BODY : Glass-Filled Thermoplastic PBT, UL94V-0  
 CONTACTS : Copper alloy  
 Gold flash over 50u" nickel on mating area;  
 100u" tin over 50u" nickel on solder area  
 BOARDLOCK : Brass, Tin plated  
 ELECTRICAL : Voltage rating 250 V RMS  
 Current rating 3A  
 Withstanding Voltage >1000 V RMS  
 Insulation resistance >1000 M Ohms  
 Contact resistance 20 mOhms max.  
 MARKING : Amphenol...(Series No.)  
 Commercial reference  
 Manufacturing date



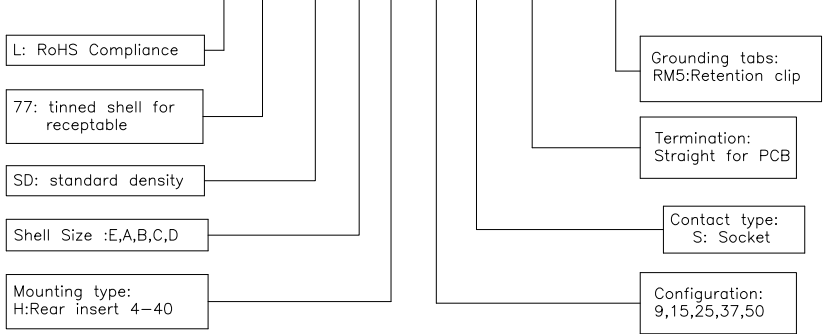
9,15,25,37 POSITIONS



50 POSITIONS

## PRODUCT CODE

**L 77 SD X H XX S OL2 RM5**



## DIMENSION TABLE

POSITIONS	A	B	D	E	F
9	30.81	24.99	16.33	11.08	19.20
15	39.20	33.30	24.70	19.39	27.70
25	53.05	47.04	38.40	33.24	41.10
37	69.40	63.50	54.80	49.86	57.30



UNLESS OTHERWISE SPECIFIED TOLERANCES	APPROVAL		DATE
	U.S.	METRIC	
.X +/-	0.50		DRAWN Felice Liu 06/06/14
.XX +/-	0.30		CHECKED Tony Tang 06/06/14
.XXX +/-	0.20		CHECKED
FRACTIONS +/-		5'	
ANGLES +/-			
FOR MATERIALS AND FINISHES SEE NOTES	DRAWING FILE :		
REMOVE SHARP EDGES	ANGLE OF PROJECTION		
DIMENSIONS	INCHES		
U.S.	MM		
METRIC			

Amphenol		TITLE
Amphenol East Asia Limited		
Straight PCB termination,SD Series		SIZE DRAWING NO.
A4		L77SDXHXXSOL2RM5
SCALE	NONE	REV. 3
SHEET 1 OF 1		