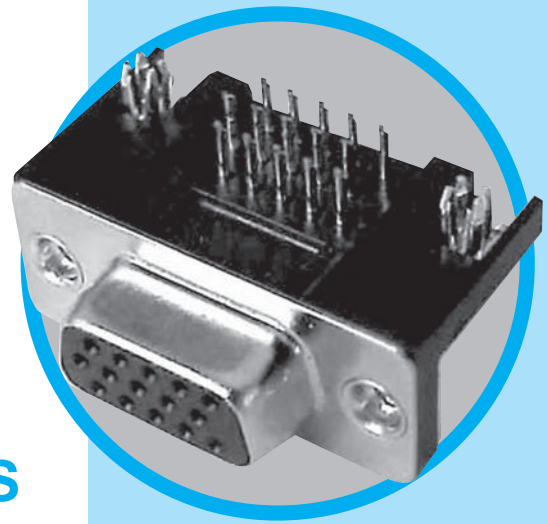


HD

D-Sub connectors - Stamped and Formed Contacts



RIGHT ANGLE HIGH DENSITY CONNECTORS

Specifications

- Connectors according to: MIL C24308
- UL File: E149426

Materials and Platings

| | |
|--------------------|---|
| Shells | Steel, tin over nickel plating |
| Insulator | Glass-filled thermoplastic, UL 94V-0 |
| Contacts | Brass, selected gold in mating area; 2.54µm (100 µ") min.tin on termination area over 1.27µm (50µ") min.nickel |
| Rear insert | Brass, 2.54µm (100µ") min.nickel plated |
| Boardlock | Phosphor bronze or Brass, 2.54µm (100µ") min.nickel plated |
| Screwlock | Brass, 2.54µm (100µ") min.nickel plated |

Electrical Data

| | |
|------------------------------|----------------------------------|
| Current rating | 3A |
| Voltage rating | 250V AC/ rms 50Hz |
| Withstanding voltage | 1000V AC/rms 50Hz for one minute |
| Insulation resistance | 5000MΩ at 50V DC |
| Contact resistance | 10mΩ max |

Climatic Data

| | |
|------------------------------|-----------------|
| Operating temperature | -55°C to +125°C |
| Salt spray | 24 hours |

Mechanical Data

| | | |
|--|--|---------------------|
| Single contact insertion force | 0.34kg (0.75lb) max. | |
| Single contact withdrawal force | 0.02kg (0.044lb) min. | |
| Mating and unmating force Unit: kg (lb) | | |
| No. of Cts | Mate (max) | Unmate (min) |
| 15 | 3.81 (8.42) | 0.52 (1.14) |
| 26 | 5.95 (13.16) | 1.05 (2.32) |
| 44 | 9.26 (20.46) | 1.37 (3.02) |
| 62 | 13.48 (29.78) | 1.76 (3.88) |
| Standard plating thickness | <ul style="list-style-type: none"> • Gold flash • 0.4µm (15µ") Gold • 0.76 µm (30µ") Gold | |

DESCRIPTION

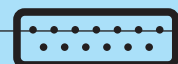
Amphenol's high density D-Sub connectors complement Amphenol's extensive D-Sub connector line. This line offers many superior features, high performance level and low installation cost.

The decreased contact spacing accommodates greater signal density in comparison to conventional D-Sub connectors.

*Economical
right angle PCB
mount
connectors*

APPLICATIONS

- Industrial
- Telecom
- Any industry standard I/O connections



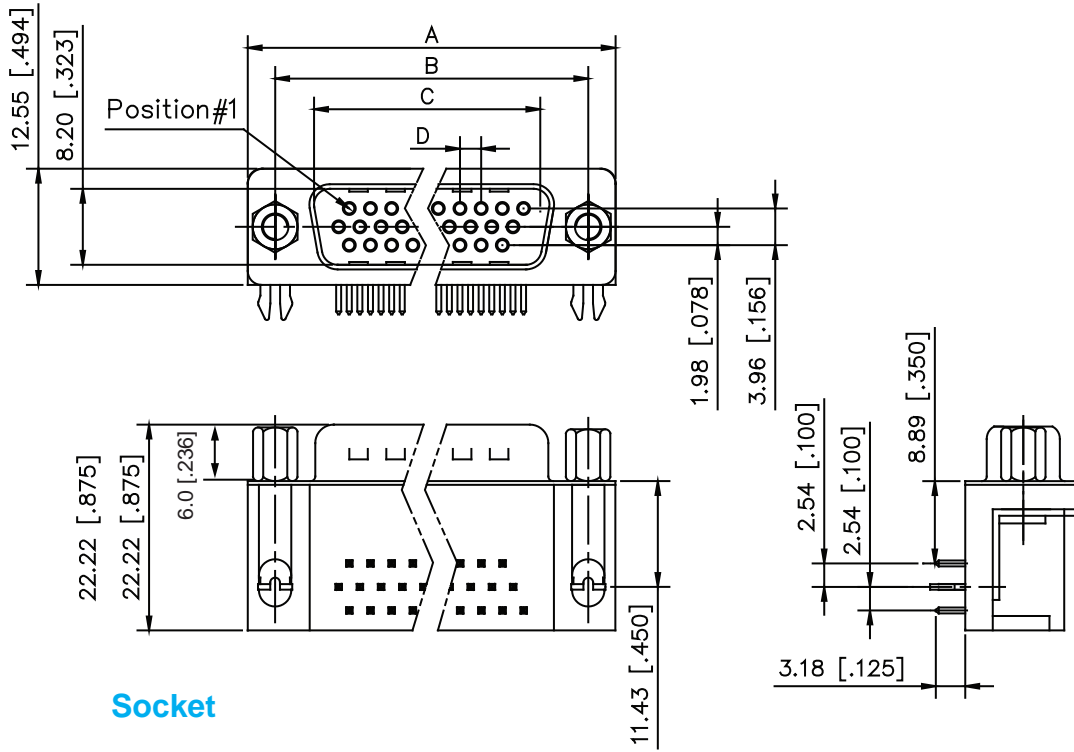
Amphenol

HD / E19

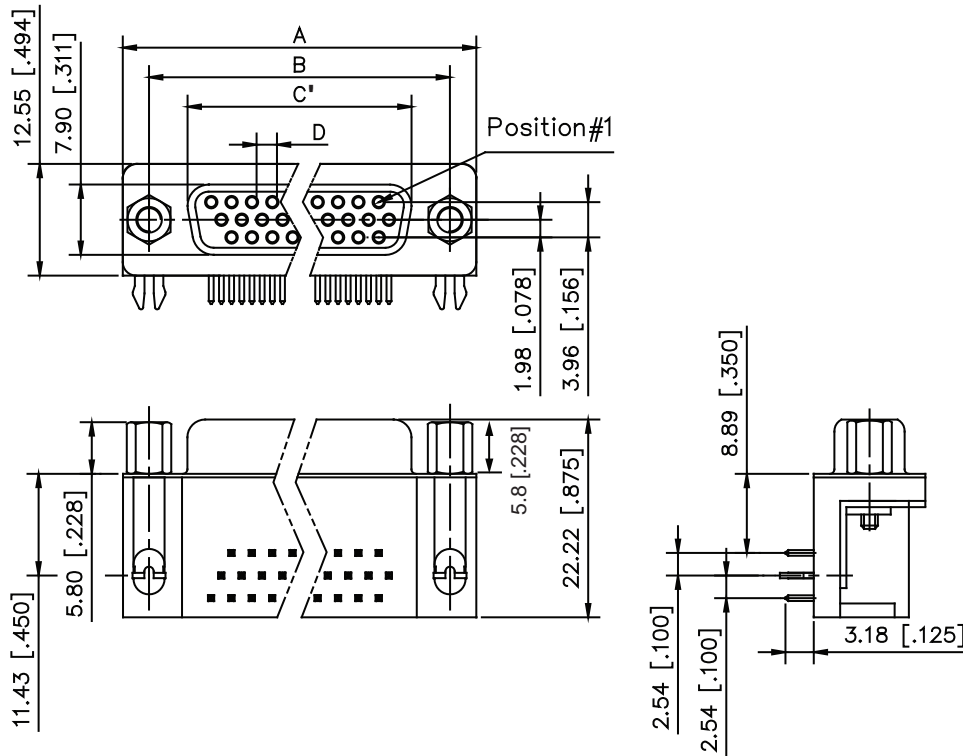
MAIN CHARACTERISTICS

Shell size dimensions

Plug

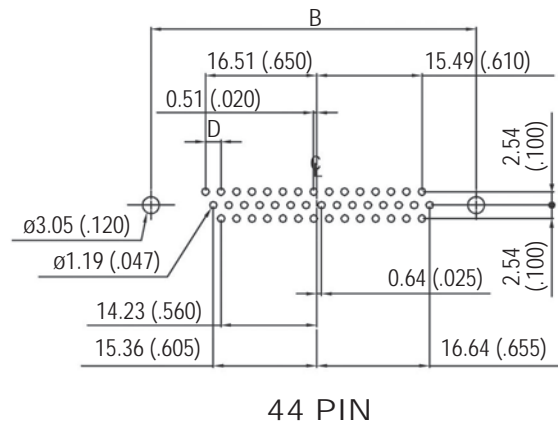
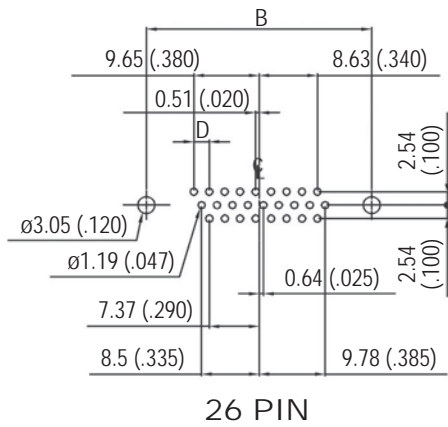
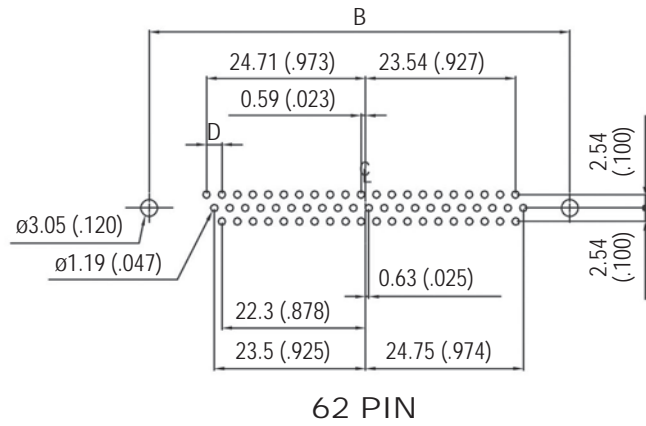
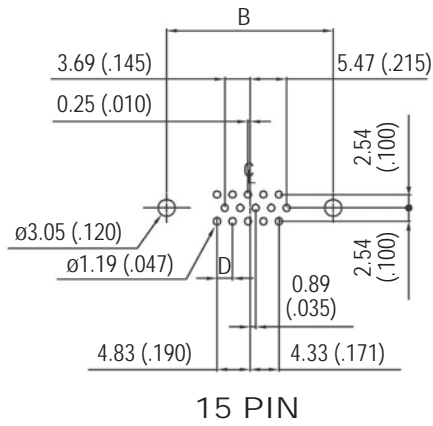


Socket



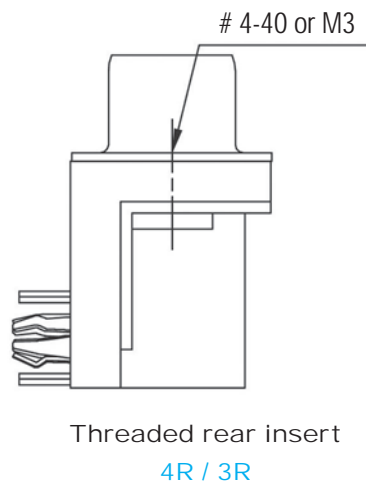
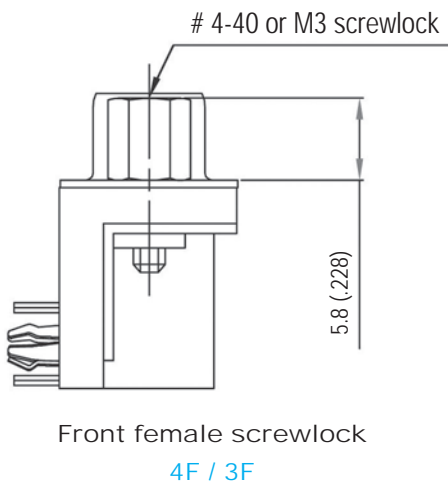
| Nb OF CONTACTS | DIMENSIONS mm (inch) | | | | |
|----------------|----------------------|---------------|---------------|---------------|-------------|
| | A | B | C | C' | D |
| 15 | 30.84 (1.214) | 24.99 (.984) | 16.92 (.661) | 16.26 (.640) | 2.29 (.090) |
| 26 | 39.24 (1.545) | 33.32 (1.312) | 25.25 (.994) | 24.56 (.967) | 2.29 (.090) |
| 44 | 53.04 (2.088) | 47.04 (1.852) | 38.96 (1.534) | 38.30 (1.508) | 2.29 (.090) |
| 62 | 69.34 (2.730) | 63.50 (2.500) | 55.42 (2.182) | 54.76 (2.156) | 2.41 (.095) |

P.C.B. Layout

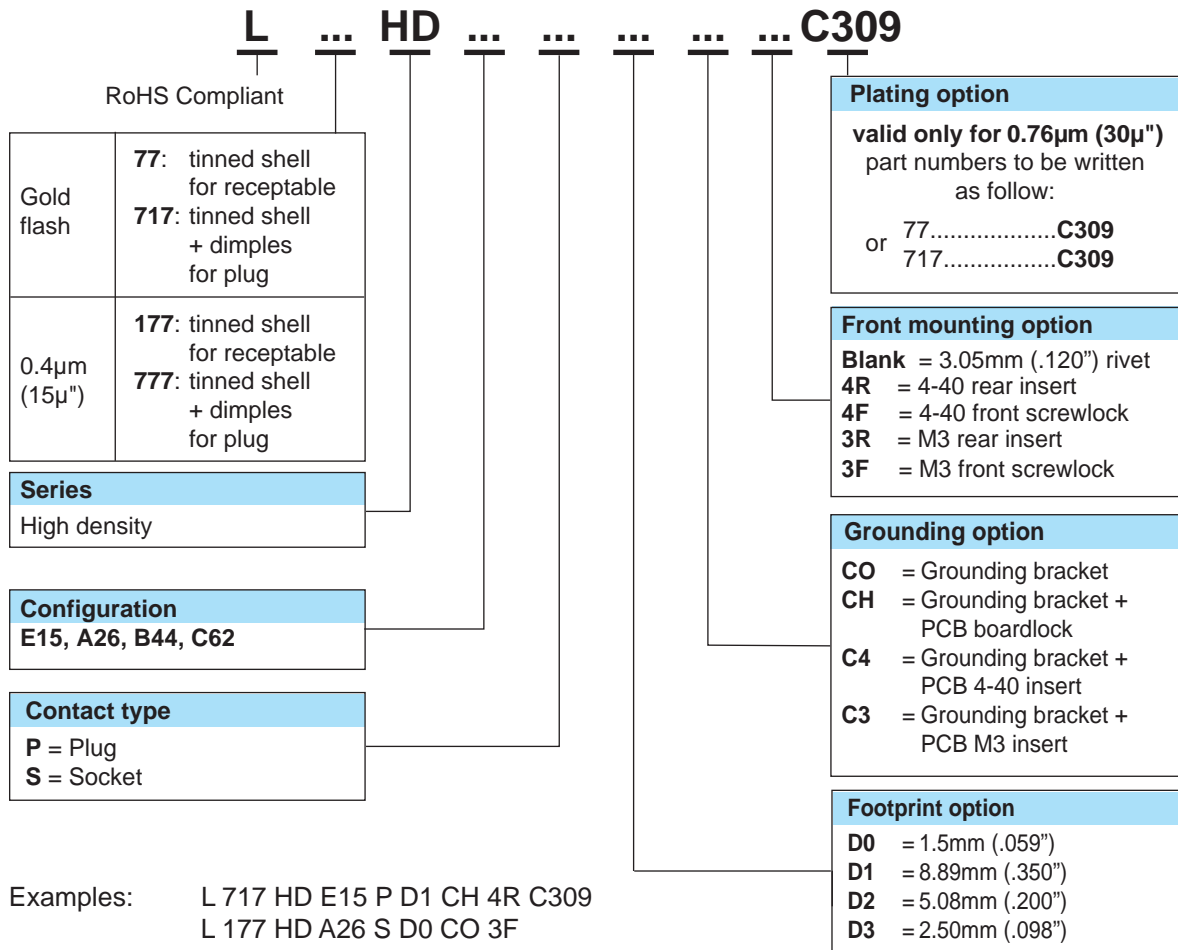


PCB layout for socket connector, top view

Panel mounting option



How to order



For special request, please consult factory

Do not hesitate to contact us for further information

Amphenol

Amphenol IT & Communication Products

Block A3/A4, The 4th Industrial District of
 Industrial Headquarters, Dong Keng Road
 Gong Ming Town, Shen Zhen China
 Fax: +86(0)755 2754 9955

Technical Support

Tel: +86(0)755 2717 7945
 Info-dsub@amphenol.com.cn
 http://www.dsubconnector.com