

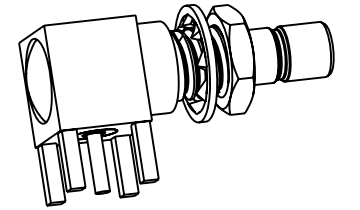
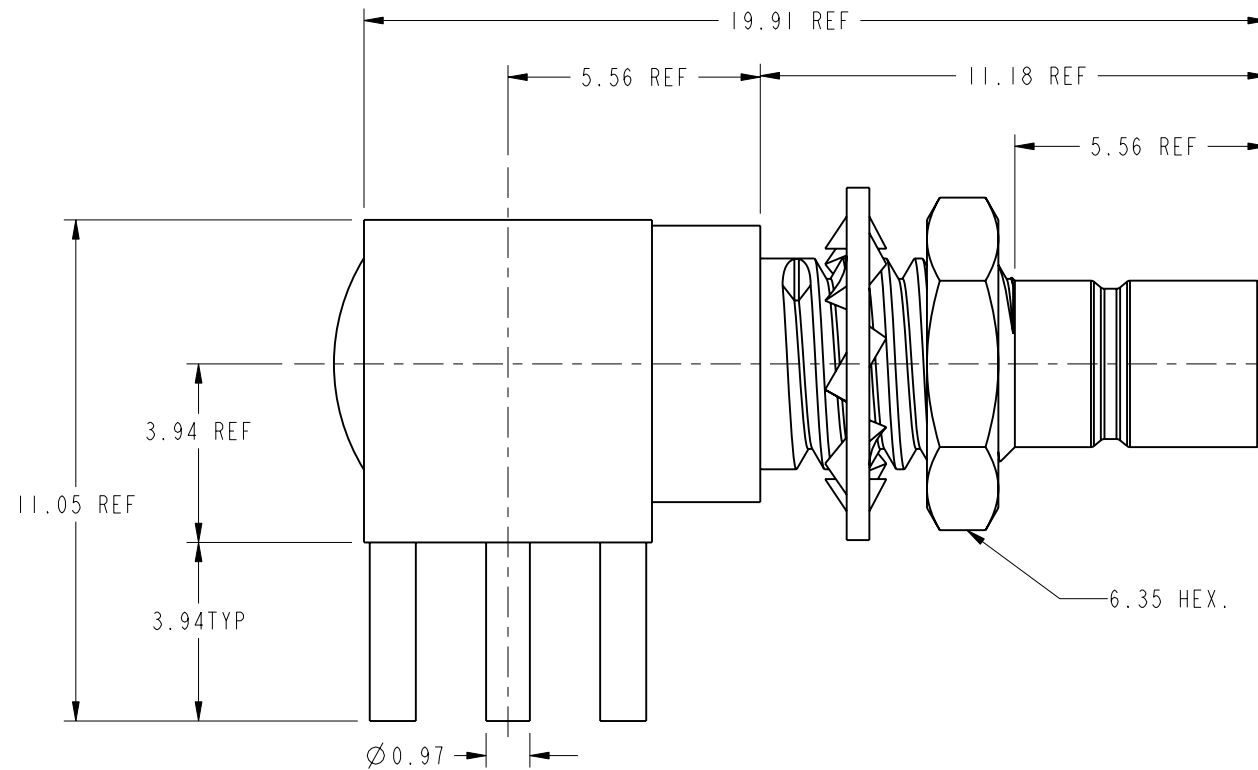
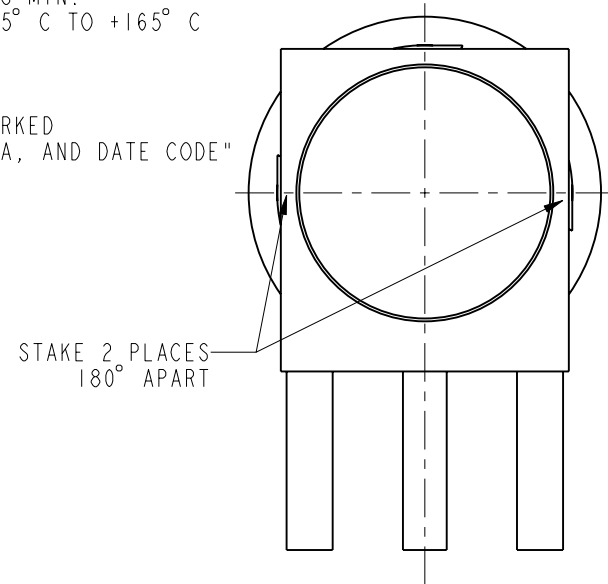
NOTES:

1. MATERIALS AND FINISHES:
 BODY FRONT - BRASS, GOLD PLATED (.000030 MIN THICK)
 BODY-CUBE, CAP - BRASS, GOLD PLATED (.000010 MIN THICK)
 CONTACTS - BRASS, GOLD PLATED (.000050 MIN THICK)
 NUT-HEX - BRASS, GOLD PLATED (.000015 MIN THICK)
 LOCKWASHER - PHOSPHOR BRONZE, GOLD PLATED (.000015 MIN THICK)
 INSULATORS - PTFE, NATURAL
2. ELECTRICAL:
 A. IMPEDANCE: 50 OHM
 B. FREQUENCY RANGE: DC - 4 GHz
 C. DIELECTRIC WITHSTANDING VOLTAGE: 1000 VRMS, MIN.
3. MECHANICAL:
 A. DURABILITY: 500 CYCLES MIN.
 B. TEMPERATURE RANGE: -65° C TO +165° C
4. PACKAGING:
 A. QUANTITY: SINGLE PACK
 B. MARKING: BAG TO BE MARKED
 "AMPHENOL, 903-731J-51A, AND DATE CODE"

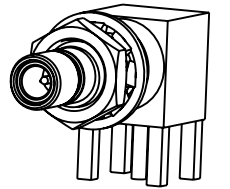
THIRD ANGLE PROJ.

REVISIONS

REV	DESCRIPTION	DATE	ECO	APPR
A	RELEASE TO MFG.	15-Sep-05	45724	MY
B	UPDATED FORMAT\RD-DMI009030ITI	10-Sep-10	48255	SH
C	ADDED STAKE 2 PLACES ON BODY\RD-DMI306240IJI	01-Jul-13	49614	SH



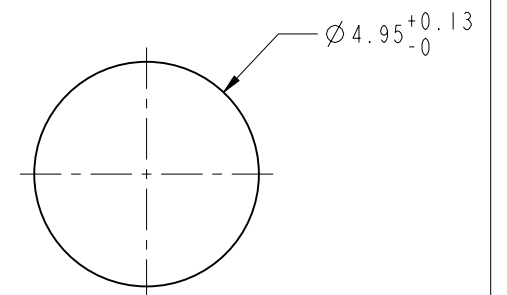
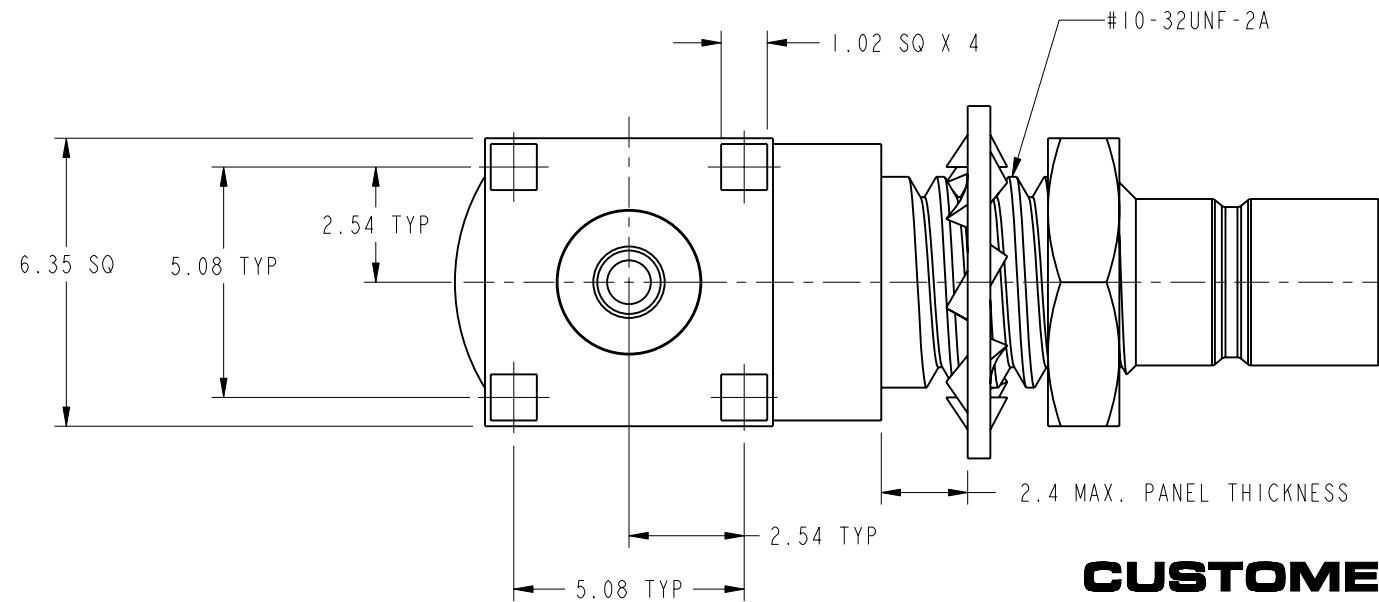
SCALE 2.000



SCALE 2.000

INTERFACE PER MIL-STD-348 SERIES: SMB

6.35 HEX.



RECOMMENDED MOUNTING HOLE DIMENSION SCALE 6.000

CUSTOMER OUTLINE DRAWING

ALL OTHER SHEETS ARE FOR INTERNAL USE ONLY

UNLESS OTHERWISE SPECIFIED, DIMENSIONS ARE IN METRIC AND TOLERANCES ARE:
 <0.5mm ±0.05mm 0.5 - 6mm ±0.1mm 6 - 30mm ±0.2mm 30 - 120mm ±0.3mm ANGLES ±1°

NOTICE - These drawings, specifications, or other data (1) are, and remain the property of Amphenol corp. (2) must be returned upon request; and (3) are confidential and not to be disclosed to any person other than those to whom they are given by Amphenol Corp. the furnishing of these drawings, specifications, or other data by Amphenol Corp., or to any other person to anyone for any purpose is not to be regarded by implication or otherwise in any manner licensing, granting rights to permitting such holder or any other person to manufacture, use or sell any product, process or design, patented or otherwise, that may in any way be related to or disclosed by said drawings, specifications, or other data.

MATERIAL	-
REFERENCE	EAR# 1579 SIMILAR TO 903-376J-51A
FINISH	

DRAWN	J. CHENG	DATE	01-Jul-13
ENGINEER	M. YU	DATE	15-Sep-05
APPROVED	S. HSIEH	DATE	01-Jul-13
CAD FILE			

TITLE	
SMB RT ANGLE BULKHEAD JACK PC MOUNT	
SCALE: 3.0:1.0	SHEET 2 OF 2
DWG SIZE B	REV C

Amphenol RF	
Danbury CT USA, Tainan, Taiwan, Shenzhen, China www.amphenolrf.com	
DRAWING NO.	903-731J-51A
ITEM NO.	903-731J-51A
PART NO.	903-731J-51A