

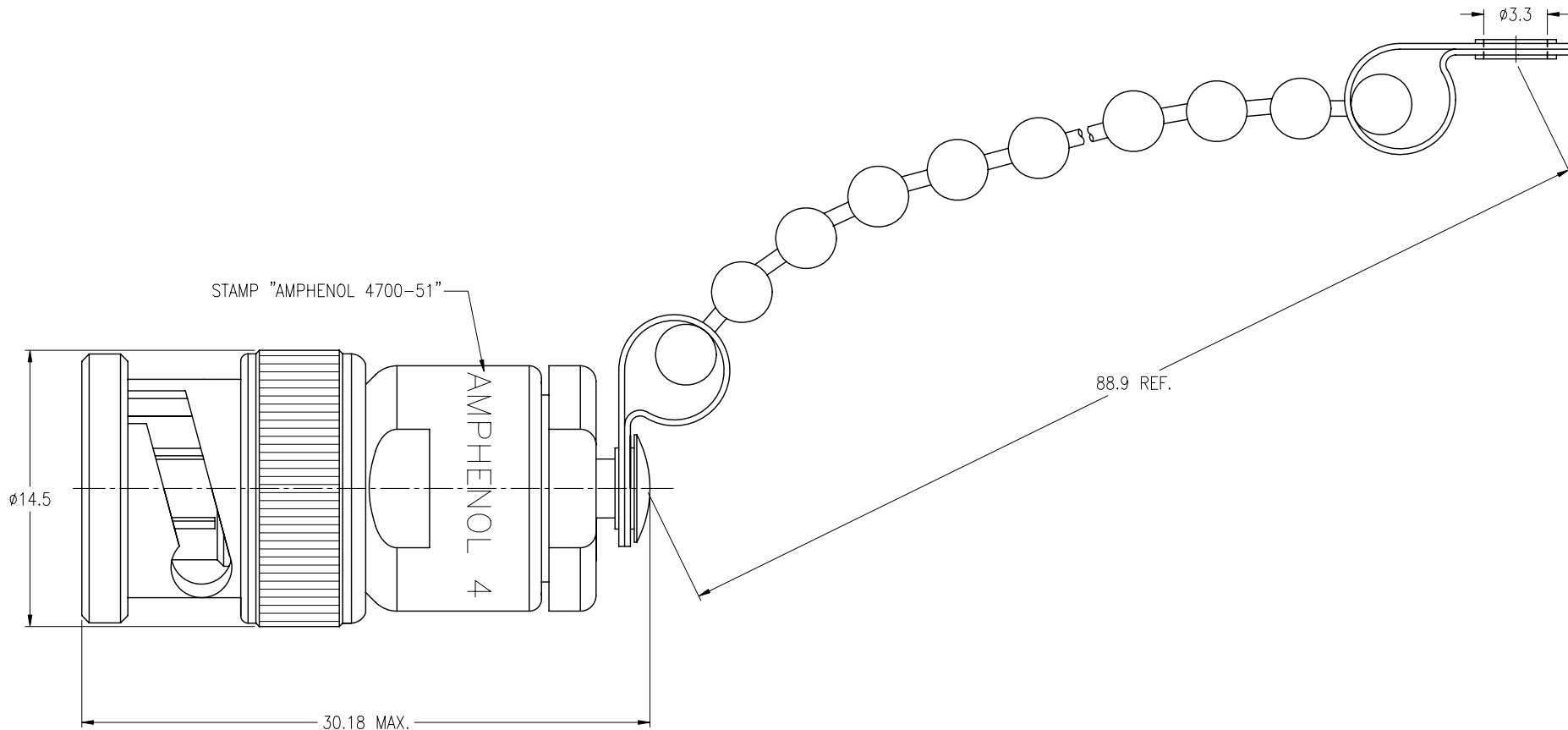
NOTES:

1. MATERIALS AND FINISHES
 BODY - BRASS, NICKEL PLATING
 CONTACT - BRASS, SILVER PLATING
 INSULATOR - COPOLYMER OF STYRENE, NATURAL
2. ELECTRICAL:
 A. IMPEDANCE: 51 OHM
3. MECHANICAL:
 A. DURABILITY: 500 CYCLES MIN.
 B. TEMPERATURE RANGE: - 55°C to +85°C

THIRD ANGLE PROJ.

REVISIONS

REV	DESCRIPTION	DATE	ECO	APPR
A	RELEASE TO MFG.	--	--	TONY
B	CHAIN WAS CHANGED	08-Dec-04	--	SH
C	CHAIN WAS CHANGED	17-May-05	--	AW
D	CHAIN WAS CHANGED	10-Nov-06	--	SH
E	SHELL WAS CHANGED	27-Feb-08	--	AW
AP	REDRAWN TO UPDATE FORMAT	15-Jan-09	47208	SH
AR	SPRING WAS CHANGED	23-Dec-10	47967	SH



CUSTOMER OUTLINE DRAWING
 ALL OTHER SHEETS ARE FOR INTERNAL USE ONLY

UNLESS OTHERWISE SPECIFIED, DIMENSIONS ARE IN METRIC AND TOLERANCES ARE:
 <0.5mm ±0.05mm 0.5 - 6mm ±0.1mm 6 - 30mm ±0.2mm 30 - 120mm ±0.3mm ANGLES ±1°

NOTICE - These drawings, specifications, or other data (1) are, and remain the property of Amphenol Corp. (2) must be returned upon request; and (3) are confidential and not to be disclosed to any person other than those to whom they are given by Amphenol Corp. The furnishing of these drawings, specifications, or other data by Amphenol Corp., or to any other person to anyone for any purpose is not to be regarded by implication or otherwise in any manner licensing, granting rights or permitting such holder or any other person to manufacture, use or sell any product, process or design, patented or otherwise, that may in any way be related to or disclosed by said drawings, specifications, or other data.

MATERIAL	DRAWN T.DENG ENGINEER S.LI	DATE 21-Dec-10	TITLE BNC RESISTOR TERMINATED PLUG 1/2 WATT WITH CHAIN			Amphenol RF Danbury CT USA, Tainan Taiwan, Shenzhen China www.amphenolrf.com	
REFERENCE	APPROVED S.HSIEH	DATE 23-Dec-10	SCALE: 3/1	SHEET 2 OF 2	DRAWING NO. 4700-51		
FINISH	F:\DWG\CNPD\4700\51-ARSZ		DWG SIZE B	CODE ID 74868	REV AR	ITEM NO. 4700-51	
						PART NO. 4700-51	