



## CATALOGUE

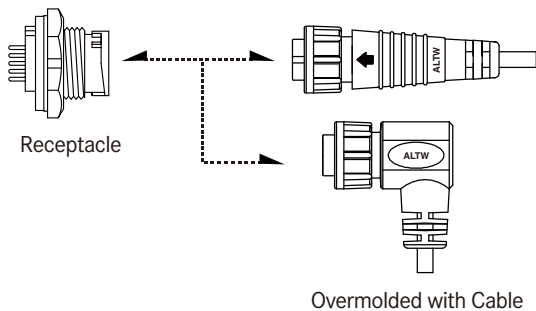
# Circular Connector



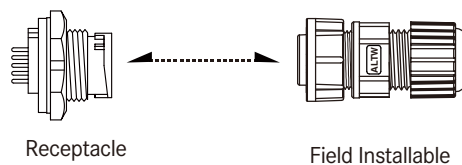


## Range Overview

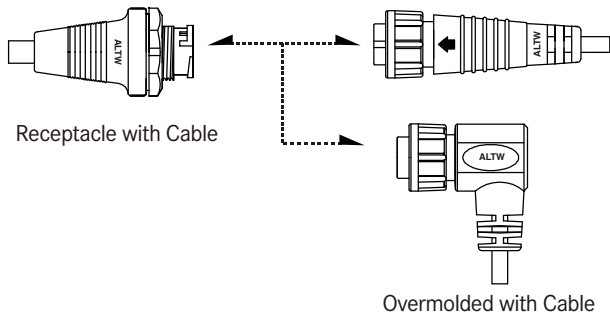
### ∟ Receptacle To Overmolded with Cable



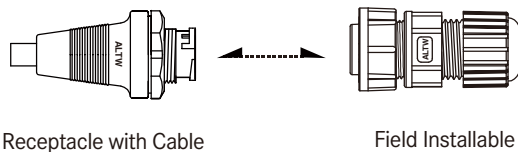
### ∟ Receptacle To Field Installable



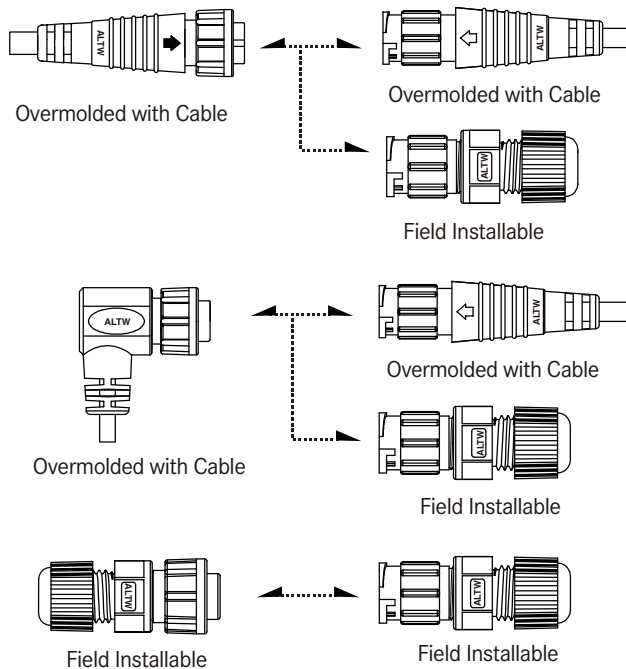
Receptacle with Cable to Overmolded with Cable



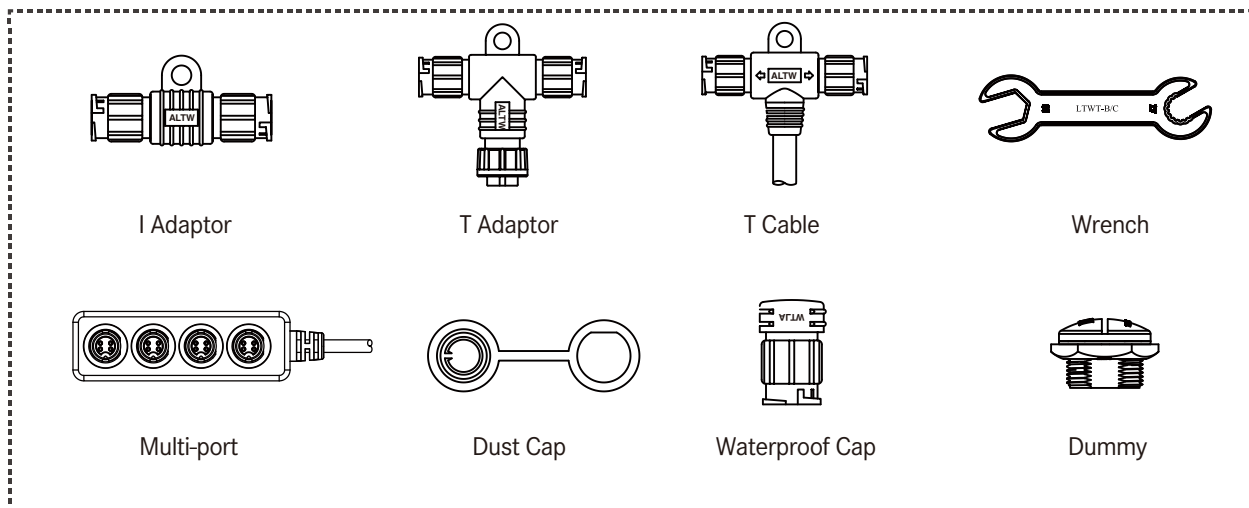
Receptacle with Cable to Field Installable



In-Line



Accessories



# Specification

<b>Identifications</b>	A Size (Mini), B Size (Standard), C Size (Middle), D Size (Large), E Size (Macro)
<b>Description</b>	Receptacle Receptacle with cable Overmolded with Cable Field Installable
<b>Mating Style</b>	2 Points Lock Bayonet, 3 Points Lock Bayonet, Screw Thread, Push Lock
<b>Current Rating / Data</b>	2A, 5A, 10A, 20A, 5A+2A, 10A+2A, 10A+5A, 20A+2A, 20A+5A
<b>Material</b>	Connector Body (Housing) : Nylon+GF, UL Recognized Contacts: Copper Alloy, Gold Plated
<b>Waterproof Rating</b>	IP66~IP68
<b>Temperature Range</b>	Receptacle: -40°C~105°C Receptacle with cable: -20°C~80°C Overmolded with Cable: -20°C~80°C Field installable: -40 °C~105 °C
<b>Contact Resistance</b>	≤ 10 mΩ
<b>Insulation Resistance</b>	≥ 100 MΩ at DC500V
<b>Durability</b>	1000 cycles
<b>Dielectric Withstand Voltage</b>	≥ AC1000V / 1 minute
<b>More to know</b>	Salt Spray Corrosion Test: 48H Standard Cable Length: 01~99M Screw Thread Size: - A Size: 7/16"-28 UNS - B Size: 5/8"-27 UNS - C Size: 13/16"-28 UNS - D Size: 1"-20 UNEF - E Size: 1 3/16"-20 UNS

【Note】 Design and specification are subject to change without notice.

# Ordering Information

1 - 2 3 4 5 6 - 7 8 9 10

## Specification / Current Rating

<u>&gt; A Size (Mini)</u>	<u>≥ C Size (Middle)</u>	<u>≥ D Size (Large), Metal</u>
(AU) 2A	(CU) 2A	(DSD) 5A
(AD) 5A	(CD) 5A	
	(CB) 10A	<u>&gt; E Size (Macro)</u>
<u>&gt; A Size (Mini), Metal</u>	(CC) 20A	(ED) 5A
(ASU) 2A	(CDU) 5A+2A	
(ASD) 5A	(CBU) 10A+2A	<u>≥Others</u>
	(CBD) 10A+5A	(GBD) 10A+5A (Between Standard Size & Middle Size)
<u>&gt; B Size (Standard)</u>	(CGU) 16A+2A*	(MAB) 10A (Equivalent to AMP)
(BU) 2A	<u>≥ D Size (Large)</u>	(PLD) 5A (Size 12)
(BD) 5A	(DU) 2A	
(BB) 10A	(DD) 5A	
(BDU) 5A+2A	(DC) 20A	
(BBD) 10A+5A	(DCU) 20A+2A	
	(DCD) 20A+5A	
<u>&gt; B Size (Standard), Metal</u>	(DCB) 20A+10A*	
(BSU) 2A		
(BSD) 5A		
(BSB) 10A		

\* Coming soon

## Number of Contacts

02, 03,....

EX. (02) = 2 Contacts

## Connector Body (Style)

<u>&gt; For Receptacle</u>	<u>&gt; For Overmolded with Cable</u>	<u>&gt; For Field installable</u>
(P) Front Fastened	(A) With Strain Relief	(B) Without Strain Relief
(R) Rear Fastened	(B) Without Strain Relief	

## Connector (Housing) Gender

(M) Male Connector (F) Female Connector

## Contact Gender

(M) Male (D) Female (Power) + Male (Signal)  
(F) Female (E) Male (Power) + Female (Signal)

## Assemble Style

<u>&gt; For Receptacle</u>	<u>&gt; For Overmolded with Cable</u>
(S) Solder Type	(M) Overmolded with Cable
(B) Screw in Type	<u>&gt; For Field Installable</u>
(P) 180° PCB Type	(A) Field installable (Solder)
(R) 90° PCB Type	(B) Screw in Type

## Mating Style

(L) 2 Points Lock Bayonet (T) 3 Points Lock Bayonet  
(S) Screw Thread (Q) Push Lock

## Backshell

<u>&gt; For Receptacle</u>	<u>&gt; For Overmolded with Cable</u>	<u>&gt; For Field Installable</u>
(C) Circular	(L) Straight	(L) Straight
(S) Square	(R) Right Angle	

## Waterproof Rating

(6) IP 66  
(7) IP 67  
(8) IP 68

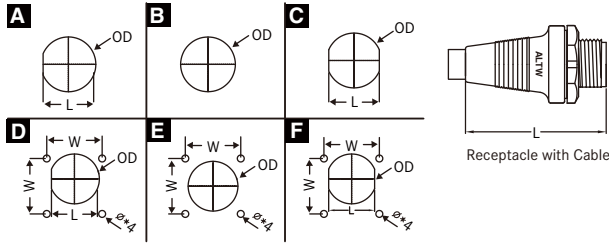
## More Information

<u>&gt; For Receptacle</u>	<u>&gt; For Overmolded with Cable</u>
(001), (002),.....	(□)+(■) : Cable Type + Cable Length
Without Cable : Different Versions	EX. (A01) = UL2464 Cable + 1M
	(□) : Cable Type (■) : Cable Length
	(A) UL2464 Cable From 1M to 99M
	(B) UL2586 Cable EX. (01) = 1M
	(C) Power Cable(TC-ER)

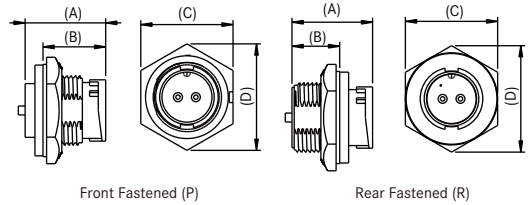
# Physical Dimension

## Receptacle

Panel Cut-Out



Connector Dimension



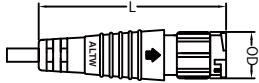
Current Rating		Dimension		Type	L / W	OD	φ	L (Connector Body)	
Size	Shield	Conn. Gender	Male						
Mini Size	-	2A(AU)	A	10.4	10.9	-	40.5		
	-	2A(ASU)	D	10.4 / 12.7	10.9	3.05	-		
	Shield	2A(ASU)	D	10.4 / 12.7	10.9	3.05	-		
	-	5A(AD)	A	10.4	10.9	-	40.5		
	-	5A(AAD)	A	10.4	10.9	-	-		
	Shield	5A(ASD)	D	10.4 / 12.7	10.9	3.05	-		
Standard Size	-	2A(BU)	A	14.8	15.6	-	42.6		
	Shield	2A(BSU)	B	-	15.6	-	-		
			C	14.0	16.0	-	-		
	-	5A(BD)	A	14.8	15.6	-	42.6		
	-	5A(ABD)	A	14.8	15.6	-	-		
	Shield	5A(BSD)	B	-	15.6	-	-		
			E	16.0	15.6	3.1	-		
			A	14.8	15.6	-	42.6		
	-	10A(BB)	A	14.8	15.6	-	42.6		
	-	10A(ABB)	A	14.8	15.6	-	-		
	Shield	10A(BSB)	C	14.1	15.6	-	-		
	-	10A+5A(BBD)	A	14.8	15.6	-	42.6		
Middle Size	-	2A(CU)	A	19.4	20.8	-	-		
	-	5A(CD)	A	19.4	20.8	-	47.0		
	-	5A(ACD)	A	19.4	20.8	-	-		
	-	5A+2A(CDU)	A	19.4	20.8	-	-		
	-	10A(CB)	A	19.4	20.8	-	47.0		
	-	10A(ACB)	A	19.4	20.8	-	-		
	-	10A+2A(CBU)	A	19.4	20.8	-	-		
	-	10A+5A(CBD)	A	19.4	20.8	-	-		
	-	20A(ACC)	A	19.4	20.8	-	-		
	-	20A(CC)	A	19.4	20.8	-	47.0		
	Large Size	-	2A(DU)	A	23.6	25.6	-	-	
		-	5A(DD)	A	23.6	25.6	-	-	
-		5A(DD)	D	23.6 / 24.4	25.6	3.1	-		
-		5A(ADD)	A	23.6	25.6	-	-		
-		5A(ADD)	D	23.6 / 24.4	25.6	3.1	-		
Shield		5A(DSD)	E	24.5	24.8	2.7	-		
-		20A(DC)	A	23.6	25.6	-	-		
-		20A(DC)	D	23.6 / 24.4	25.6	3.1	-		
-		20A(ADC)	A	23.6	25.6	-	-		
-		20A(ADC)	D	23.6 / 24.4	25.6	3.1	-		
-	20A+2A(DCU)	A	23.6	25.6	-	-			
-	20A+5A(DCD)	A	23.6	25.6	-	-			
Macro Size	-	5A(ED)	D	29.0 / 30.1	30.1	3.5	-		
Others	-	10+5A(GBD)	-	-	-	-	-		
	-	10A(MAB)	-	-	-	-	-		
	-	5A(PLD)	C	11.3	12.8	-	-		

A	B	C	D	Panel Thickness Max	
				Lock Type	Screw Type
P: 18.4/R: 18.0	P: 14.0/R: 10.8	15.7	18.1	P: 3.5/R: 5.0	P: 5.0/R: 5.0
18.6	14.0	15.7	18.1	P: 3.5	-
P: 18.4/R: 18.0	P: 14.0/R: 10.8	15.7	18.1	P: 3.5/R: 5.0	P: 5.0/R: 5.0
P: 17.5/R: 17.5	P: 14.0/R: 9.5	15.7	18.1	P: 3.5/R: 4.5	P: 4.5/R: 4.5
P: 17.5	14.0	15.7	18.1	P: 3.5	P: 4.5
18.6	14.0	15.7	18.1	P: 3.5	-
P: 18.0/R: 18.0	P: 14.0/R: 10.65	20.6	23.5	P: 4.5/R: 5.0	P: 4.0/R: 5.0
P: 18.8/R: 19.8	P: 16.3/R: 11.3	22.0	25.4	-	P: 5.0/R: 7.0
P: 18.0/R: 18.0	P: 14.0/R: 10.65	20.6	25.4	P: 4.5/R: 5.0	P: 4.0/R: 5.0
P: 17.5/R: 17.5	P: 14.0/R: 10.2	20.6	23.8	P: 4.0/R: 3.5	P: 4.5/R: -
P: 18.0/R: 19.8	P: 14.0/R: 11.3	P: 21.0/R: 22.0	P: 23.9/R: 25.4	-	P: 4.4/R: 7.0
P: 18.0/R: 18.0	P: 14.0/R: 10.65	20.6	23.5	P: 4.5/R: 5.0	P: 4.0/R: 5.0
P: 18.0/R: 18.0	P: 14/R: 10.65	20.6	23.5	P: 4.5/R: 5.0	P: 4.0/R: 5.0
P: 19.5/R: 19.5	P: 14.0/R: 10.2	20.6	23.8	P: 4.0/R: 3.5	P: 4.5/R: -
19.8	11.3	22.0	25.4	-	R: 7.0
P: 18.0/R: 18.0	P: 14.0/R: 10.65	20.6	23.5	P: 4.5/R: 5.0	P: 4.0/R: 5.0
17.0	14.0	25.4	29.3	P: 4.0	P: 3.0
P: 17.0/R: 18.0	P: 14.0/R: 10.0	25.4	29.3	P: 4.0/R: 4.0	P: 3.0/R: 4.0
P: 18.0/R: 18.0	P: 15.0/R: 10.0	25.4	29.3	P: 4.0/R: 4.0	P: 3.5/R: -
18.0	14.0	25.4	29.3	P: 4.0	P: 3.0
P: 17.0/R: 18.0	P: 14.0/R: 10.0	25.4	29.3	P: 4.0/R: 4.0	P: 3.0/R: 4.0
P: 18.8/R: 18.8	P: 15.0/R: 10.8	25.4	29.3	P: 4.0/R: 4.0	P: 3.5/R: -
18.0	15.0	25.4	29.3	P: 4.0	-
17.0	14.0	25.4	29.3	P: 4.0	P: 3.0
P: 19.0/R: 19.0	P: 15.0/R: 11.0	25.4	29.3	P: 4.0/R: 4.0	P: 3.5/R: -
P: 17.0/R: 18.0	P: 14.0/R: 10.0	25.4	29.3	P: 4.0/R: 4.0	P: 3.0/R: 4.0
18.0	14.8	28.5	33.0	P: 4.0	-
P: 18.0/R: 18.0	P: 14.9/R: 10.3	28.5	33.0	P: 4.0/R: 4.0	P: 4.0/R: 4.0
P: 18.0/R: 18.0	P: 14.9/R: 9.8	28.5	32.9	P: 3.0/R: 3.0	P: 3.0/R: 3.0
18.0	14.9	28.5	32.9	3.0	3.0
17.9	14.6	29.0	33.5	-	P: 5.0
P: 18.0/R: 18.0	P: 14.9/R: 10.3	28.5	33.0	P: 4.0/R: 4.0	P: 4.0/R: 4.0
P: 19.0/R: 19.0	P: 14.9/R: 10.8	28.5	32.9	P: 3.0/R: 3.0	P: 3.0/R: 3.0
19.0	14.9	28.5	32.9	3.0	3.0
18.8	14.8	28.5	33.0	P: 4.0	-
18.8	14.8	28.5	33.0	P: 4.0	-
17.6	14.9	34.9	4.0	P: 3.5	-
-	-	-	-	-	-
-	-	-	-	-	-
15.9	13.4	15.8	17.3	P: 3.0	-

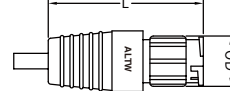
[Note] Design and specification are subject to change without notice.

# Physical Dimension

## Overmolded with Cable



with Strain Relief / Straight



without Strain Relief / Straight

Current Rating		Dimension		Type	L		OD		
Size	Shield	Conn. Gender		Female	Male	Female	Male		
Mini Size	-	2A(AU)	A	43.5	44.5	15.2	13.5	-	
	-		D						
	-	Shield	2A(ASU)	D	-	-	-		-
	-	-	5A(AD)	A	43.5	44.5	15.2		13.5
	-	-	5A(AAD)	A	-	-	-		-
	-	-	5A(AAD)	D	-	-	-		-
-	Shield	5A(ASD)	D	-	-	-	-		
Standard Size	-	2A(BU)	A	55.5	59.0	S-20.0/L-18.0	14.6	-	
	-		Shield	2A(BSU)	B	-	-		-
	-		-	C	-	-	-		-
	-	-	5A(BD)	A	55.5	59.0	S-20.0/L-18.0		14.6
	-	-	5A(ABD)	A	-	-	-		-
	-	Shield	5A(BSD)	B	-	-	-		-
	-	-	-	E	-	-	-		-
	-	-	5A+2A(BDU)	A	55.5	-	S-20.0/L-18.0		-
	-	-	10A(BB)	A	55.5	59.0	S-20.0/L-18.0		14.6
	-	-	10A(ABB)	A	-	-	-		-
	-	Shield	10A(BSB)	C	-	-	-		-
	-	-	10A+5A(BBD)	A	55.5	59.0	S-20.0/L-18.0		14.6
Middle Size	-	2A(CU)	A	60.0	-	L-22.2/S-25.4	-	-	
	-		-	A	60.0	60.0	L-22.2/S-25.4		20.0
	-	-	5A(ACD)	A	60.0	-	L-22.2/S-25.4		-
	-	-	5A+2A(CDU)	A	60.5	-	L-22.2/S-25.4		-
	-	-	10A(CB)	A	60.0	-	L-22.2/S-25.4		-
	-	-	10A(ACB)	A	60.0	-	L-22.2/S-25.4		-
	-	-	10A+2A(CBU)	A	60.3	-	23.0		-
	-	-	10A+5A(CBD)	A	60.0	-	L-22.2/S-25.4		-
	-	-	20A(ACC)	A	60.0	-	L-22.2/S-25.4		-
	-	-	20A(CC)	A	60.0	-	L-22.2/S-25.4		-
Large Size	-	2A(DU)	A	59.5	-	L-22.2/S-25.4	-	-	
	-		-	A	59.5	59.5	S-32.0/L-28.5		22.5
	-	-	5A(DD)	D	59.5	59.5	S-32.0/L-28.5		22.5
	-	-	5A(ADD)	A	58.5	-	S-32.0/L-28.5		-
	-	-	5A(ADD)	D	-	-	-		-
	-	Shield	5A(DSD)	E	-	-	-		-
	-	-	20A(DC)	A	59.5	-	S-32.0/L-28.5		-
	-	-	20A(DC)	D					
	-	-	20A(ADC)	A	59.5	-	S-32.0/L-28.5		-
	-	-	20A(ADC)	D	-	-	-		-
	-	-	20A+2A(DCU)	A	63.5	69.7	28.5		22.5
	-	-	20A+5A(DCD)	A	71.4	71.4	28.5		22.5
Macro Size	-	5A(ED)	D	70.0	-	33.3	-		
Others	-	10+5A(GBD)	-	68.7	73.5	26.6	25.0		
	-	10A(MAB)	-	61.5	61.5	23.0	19.4		
	-	5A(PLD)	C	-	-	-	-		

L		OD	
Female	Male	Female	Male
34.0	35.3	15.2	13.5
-	-	-	-
34.0	35.3	15.2	13.5
34.0	-	15.2	-
-	-	-	-
-	-	-	-
43.0	45.0	S-20.0/L-18.0	14.6
37.8	-	19.0	-
43.0	45.0	S-20.0/L-18.0	14.6
43.0	-	S-20.0/L-18.0	-
37.8	-	19.0	-
43.0	-	S-20.0/L-18.0	-
43.0	45.0	S-20.0/L-18.0	14.6
43.0	-	S-20.0/L-18.0	-
-	-	-	-
43.0	45.0	S-20.0/L-18.0	14.6
41.8	-	L-22.2/S-25.4	-
41.8	41.8	L-22.2/S-25.4	20.0
-	-	-	-
41.8	-	L-22.2/S-25.4	-
41.8	-	L-22.2/S-25.4	-
-	-	-	-
-	-	-	-
41.8	-	L-22.2/S-25.4	-
-	-	-	-
41.8	-	L-22.2/S-25.4	-
52.0	-	S-32.0/L-28.5	-
52.0	52.0	S-32.0/L-28.5	22.5
-	-	-	-
49.3	-	30.0	-
52.0	-	S32.0 L-28.5	-
-	-	-	-
-	-	-	-
-	-	-	-
-	-	-	-
60.2	65.0	26.6	25.0
53.0	53.0	23.0	19.4
-	-	-	-





# Contact Configuration

	Mini Size (A)						Standard Size (B)							
	2A(AU)(ASU)		5A(AD)		5A(ASD)		2A(BU)(BSU)		5A(BD)		5A(BSD)		10A(BB)	
4 5	MM or FF	MF or FM	MM or FF	MF or FM	MM or FF	MF or FM	MM or FF	MF or FM	MM or FF	MF or FM	MM or FF	MF or FM	MM or FM	MF or FM
2 Pin														
			R   C   F		R				R   C   F	R   C   F			R   C   F	R   C   F
3 Pin														
			R   C   F						R   C   F	R   C   F			R   C   F	R   C   F
4 Pin														
	R   C   F								R   C   F	R   C   F	R   C		R   C   F	
5 Pin														
	R   C   F								R   C   F	R   C   F	R   C			
6 Pin														
	R   C   F								R   C   F	R   C   F	R   C			
7 Pin														
									R   C   F		R   C			
8 Pin														
									R   C   F		R   C			
9 Pin														
10 Pin														
							R   C   F							
12 Pin														
							R   C   F							
14 Pin														
18 Pin														
20 Pin														
21 Pin														
22 Pin														
31 Pin														

\* Standard Size Metal (BSU): 10 Contact










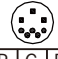





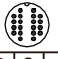

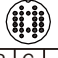


# Circular Connector | Contact Configuration

Middle Size (2A | 5A | 10A | 20A | 5A+2A | 10A+5A | 10A+2A)

Large Size (2A | 5A | 20A | 20A+2A | 20A+5A)

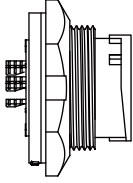
## Contact Configuration

	Middle Size (C)										Large Size (D)			
	10A(CB)		20A(CC)		5A+2A(CDU)		10A+5A(CBD)		10A+2A(CBU)		2A(DU)		5A(DD)(DSD)	
4 5	MM or FF	MF or FM	MM or FF	MF or FM	MM or FF	MF or FM	MM or FF	MF or FM	MM or FF	MF or FM	MM or FF	MF or FM	MM or FF	MF or FM
2 Pin														
				R   C   F										
3 Pin														
			R   C   F											
4 Pin														
	R   C   F	R   C   F												
5 Pin														
	R   C   F	R   C   F												
6 Pin														
	R   C   F													
7 Pin														
8 Pin														
							R   C   F	R   C   F	R   C   F	R   C   F				
9 Pin														
10 Pin														
12 Pin														
							R   C   F							
14 Pin														
							R   C   F							
18 Pin														
												R   C   F	R   C   F	
20 Pin														
											R   C   F			
21 Pin														
											R   C   F			
22 Pin														
											R   C   F			
31 Pin														

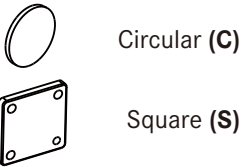


# Product Features

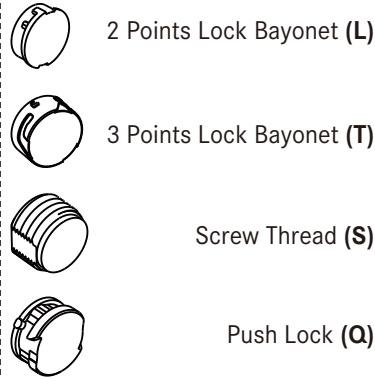
## Receptacle



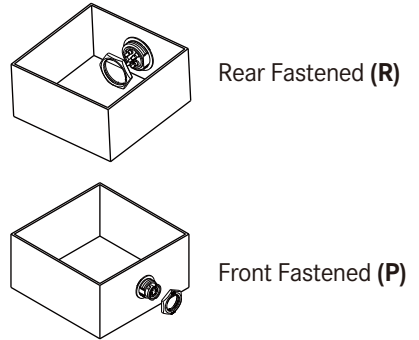
### Flange 8



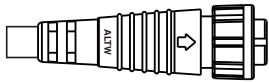
### Mating Style 7



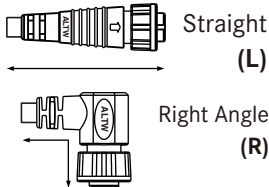
### Connector Body(Style) 3



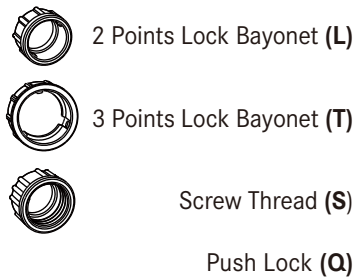
## Overmolded with Cable



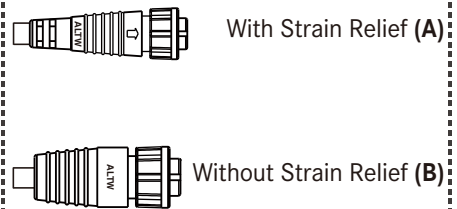
### Backshell 8



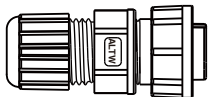
### Mating Style 7



### Connector Body(Style) 3



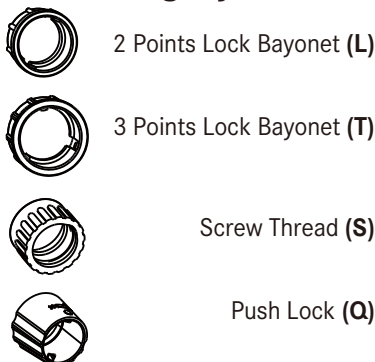
## Field Installable



### Backshell 8



### Mating Style 7

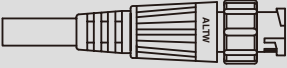
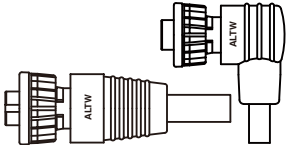
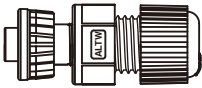


### Connector Body(Style) 3



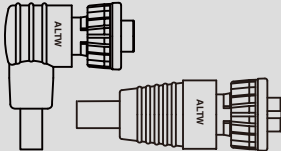
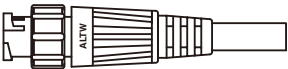
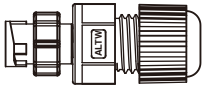
# Find Our Standard Products

## Mini Size: 2 Points Lock Bayonet > In-Line

<ul style="list-style-type: none"> <li>• Male Connector (Housing)</li> <li>• Male Contacts</li> <li>• 2 Points Lock Bayonet</li> </ul>		Overmolded with Cable →	Overmolded with Cable →	Field Installable
				
Current Rating (Code)	Contacts ②	Male Connector (M) Male Contacts (M)	Female Connector (F) Female Contacts (F)	Female Connector (F) Female Contacts (F)
2A (AU)	04,05,06	AU-② AMMM-LL6A <sup>XX</sup> * AU-② BMMM-LL7A <sup>XX</sup> *	AU-② AFFM-LL6A <sup>XX</sup> * AU-② BFFM-LL7A <sup>XX</sup> * AU-② BFFM-LR6A <sup>XX</sup> *	AU-② BFFA-LL7001
5A (AD)	02,03	AD-② AMMM-LL6A <sup>XX</sup> * AD-② BMMM-LL7A <sup>XX</sup> *	[A]AD-② BFFM-LL7A <sup>XX</sup> * AD-② BFFM-LR6A <sup>XX</sup> *	AD-② BFFA-LL7001

\* XX: Choose the cable length from 01~99m  
 \*\* [A] Stamp pin

## Mini Size: 2 Points Lock Bayonet > In-Line

<ul style="list-style-type: none"> <li>• Female Connector (Housing)</li> <li>• Female Contacts</li> <li>• 2 Points Lock Bayonet</li> </ul>		Overmolded with Cable →	Overmolded with Cable →	Field Installable
				
Current Rating (Code)	Contacts ②	Female Connector (F) Female Contacts (F)	Male Connector (M) Male Contacts (M)	Male Connector (M) Male Contacts (M)
2A (AU)	04,05,06	AU-② AFFM-LL6A <sup>XX</sup> * AU-② BFFM-LL7A <sup>XX</sup> * AU-② BFFM-LR6A <sup>XX</sup> *	AU-② AMMM-LL6A <sup>XX</sup> * AU-② BMMM-LL7A <sup>XX</sup> *	AU-② BMMA-LL7001
5A (AD)	02,03	[A]AD-② BFFM-LL7A <sup>XX</sup> * AD-② BFFM-LR6A <sup>XX</sup> *	AD-② AMMM-LL6A <sup>XX</sup> * AD-② BMMM-LL7A <sup>XX</sup> *	AD-② BMMA-LL7001

\* XX: Choose the cable length from 01~99m  
 \*\* [A] Stamp pin

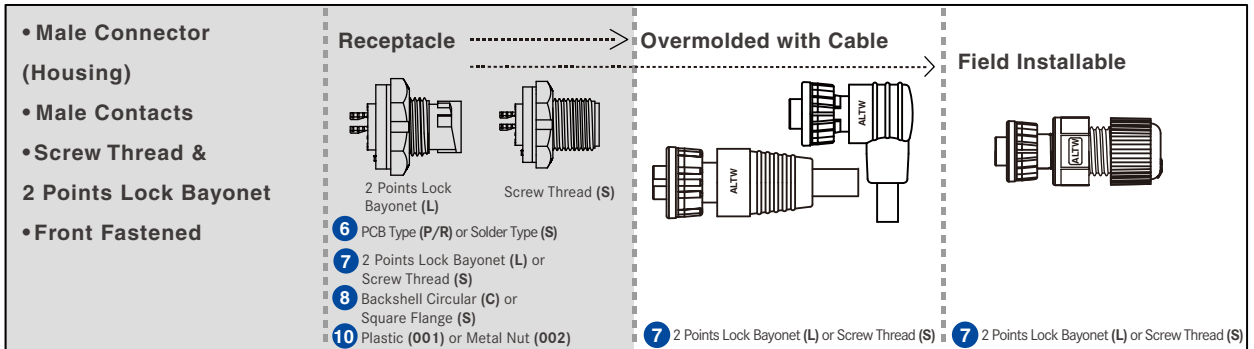
[Note] Design and specification are subject to change without notice.

# Circular Connector | Find Our Standard Products

## Mini Size: Screw Thread and 2 Points Lock Bayonet

Receptacle and Mating Pair | Receptacle with Overmolded Cable and Mating Pair

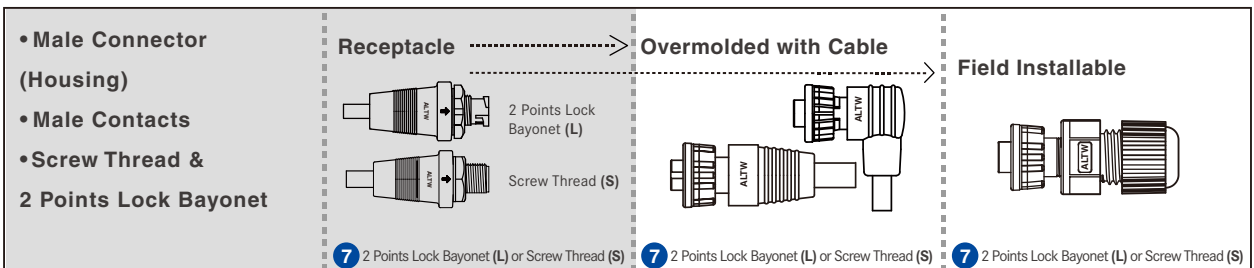
### Mini Size: 7/16"-28 UNS and 2 Points Lock Bayonet > Receptacle and Mating Pair



Current Rating (Code)	Contacts 2	Male Connector (M) Male Contacts (M)	Female Connector (F) Female Contacts (F)	Female Connector (F) Female Contacts (F)
2A (AU)	04,05,06	AU-2 PMM 6-7 8 7001 AU-2 RMMS-7 C7001	AU-2 AFFM-7 L6AXX* AU-2 BFFM-7 L7AXX* AU-2 BFFM-7 R6AXX*	AU-2 BFFA-7 L7001
2A (ASU) *Metal	04,05,06	ASU-2 PMMS- LS7 10	AU-2 AFFM-LL6AXX* AU-2 BFFM-LL7AXX* AU-2 BFFM-LR6AXX*	AU-2 BFFA-LL7001
5A (AD)	02,03	AD-2 PMMP-7 8 7001 [A]AD-2 PMMS-7 8 7001 [A]DD-2 RMMS-7 C7001	[A]AD-2 BFFM-7 L7AXX* AD-2 BFFM-7 R6AXX*	AD-2 BFFA-7 L7001
5A (ASD) *Metal	02,03	ASD-2 PMM 6-LS7 10	[A]AD-2 BFFM-LL7AXX* AD-2 BFFM-LR6AXX*	AD-2 BFFA-LL7001

\* XX: Choose the cable length from 01~99m \*\* [A] Stamp pin

### Mini Size: 7/16"-28 UNS and 2 Points Lock Bayonet > Receptacle with Overmolded Cable and Mating Pair

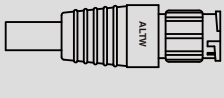
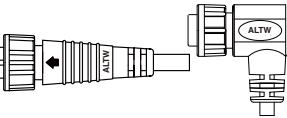
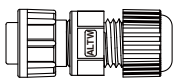


Current Rating (Code)	Contacts 2	Male Connector (M) Male Contacts (M)	Female Connector (F) Female Contacts (F)	Female Connector (F) Female Contacts (F)
2A (AU)	04,05,06	AU-2 PMMM-7 L7AXX*	AU-2 AFFM-7 L6AXX* AU-2 BFFM-7 L7AXX* AU-2 BFFM-7 R6AXX*	AU-2 BFFA-7 L7001
5A (AD)	02,03	AD-2 PMMM-7 L7AXX*	[A]AD-2 BFFM-7 L7AXX* AD-2 BFFM-7 R6AXX*	AD-2 BFFA-7 L7001

\* XX: Choose the cable length from 01~99m \*\* [A] Stamp pin

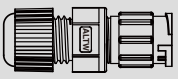
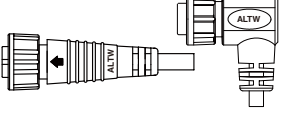
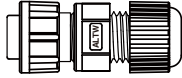


Standard Size: 2 Points Lock Bayonet > In-Line

<ul style="list-style-type: none"> <li>• Male Connector (Housing)</li> <li>• Male Contacts</li> <li>• 2 Points Lock Bayonet</li> </ul>		Overmolded with Cable 	Overmolded with Cable 	Field Installable 
Current Rating (Code)	Contacts ②	Male Connector (M) Male Contacts (M)	Female Connector (F) Female Contacts (F)	Female Connector (F) Female Contacts (F)
2A (BU)	10, 12	BU-② AMMM-LL6A <sup>XX</sup> * BU-② BMMM-LL7A <sup>XX</sup> *	BU-② AFFM-LL6A <sup>XX</sup> * BU-② AFFM-LR7A <sup>XX</sup> * BU-② BFFM-LL7A <sup>XX</sup> * BU-② BFFM-LR6A <sup>XX</sup> *	BU-② BFFA-LL700 1
5A (BD)	02,03,04, 05,06,07,08	BD-② AMMM-LL6A <sup>XX</sup> * BD-② BMMM-LL7A <sup>XX</sup> *	[A]BD-② BFFM-LL7A <sup>XX</sup> * BD-② AFFM-LR7A <sup>XX</sup> * BD-② BFFM-LR6A <sup>XX</sup> *	BD-② BFFA-LL700 1
10A (BB)	02,03,04	BB-② AMMM-LL6A <sup>XX</sup> * BB-② BMMM-LL7A <sup>XX</sup> *	[A]BB-② BFFM-LL7A <sup>XX</sup> * BB-② AFFM-LR7A <sup>XX</sup> * BB-② BFFM-LR6A <sup>XX</sup> *	BB-② BFFA-LL700 1

\* XX: Choose the cable length from 01~99m  
 \*\* [A] Stamp pin

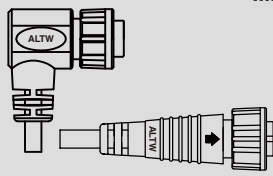
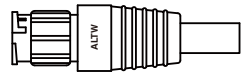
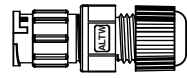
Standard Size: 2 Points Lock Bayonet > In-Line

<ul style="list-style-type: none"> <li>• Male Connector (Housing)</li> <li>• Male Contacts</li> <li>• 2 Points Lock Bayonet</li> </ul>		Field Installable 	Overmolded with Cable 	Field Installable 
Current Rating (Code)	Contacts ②	Male Connector (M) Male Contacts (M)	Female Connector (F) Female Contacts (F)	Female Connector (F) Female Contacts (F)
2A (BU)	10, 12	BU-② BMMA-LL700 1	BU-② AFFM-LL6A <sup>XX</sup> * BU-② AFFM-LR7A <sup>XX</sup> * BU-② BFFM-LL7A <sup>XX</sup> * BU-② BFFM-LR6A <sup>XX</sup> *	BU-② BFFA-LL700 1
5A (BD)	02,03,04, 05,06,07,08	BD-② BMMA-LL700 1	[A]BD-② BFFM-LL7A <sup>XX</sup> * BD-② AFFM-LR7A <sup>XX</sup> * BD-② BFFM-LR6A <sup>XX</sup> *	BD-② BFFA-LL700 1
10A (BB)	02,03,04	BB-② BMMA-LL700 1	[A]BB-② BFFM-LL7A <sup>XX</sup> * BB-② AFFM-LR7A <sup>XX</sup> * BB-② BFFM-LR6A <sup>XX</sup> *	BB-② BFFA-LL700 1

\* XX: Choose the cable length from 01~99m  
 \*\* [A] Stamp pin

[Note] Design and specification are subject to change without notice.

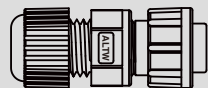

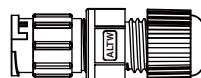
Standard Size: 2 Points Lock Bayonet > In-Line

<ul style="list-style-type: none"> <li>Female Connector (Housing)</li> <li>Female Contacts</li> <li>2 Points Lock Bayonet</li> </ul>		<p>Overmolded with Cable →</p> 	<p>Overmolded with Cable →</p> 	<p>Field Installable</p> 
Current Rating (Code)	Contacts 2	Female Connector (F) Female Contacts (F)	Male Connector (M) Male Contacts (M)	Male Connector (M) Male Contacts (M)
2A (BU)	10, 12	BU- 2 AFFM-LL6A <sup>XX</sup> * BU- 2 AFFM-LR7A <sup>XX</sup> * BU- 2 BFFM-LL7A <sup>XX</sup> * BU- 2 BFFM-LR6A <sup>XX</sup> *	BU- 2 AMMM-LL6A <sup>XX</sup> * BU- 2 BMMM-LL7A <sup>XX</sup> *	BU- 2 BMMA-LL7001
5A (BD)	02,03,04, 05,06,07,08	[A]BD- 2 BFFM-LL7A <sup>XX</sup> * BD- 2 AFFM-LR7A <sup>XX</sup> * BD- 2 BFFM-LR6A <sup>XX</sup> *	BD- 2 AMMM-LL6A <sup>XX</sup> * BD- 2 BMMM-LL7A <sup>XX</sup> *	BD- 2 BMMA-LL7001
10A (BB)	02,03,04	[A]BB- 2 BFFM-LL7A <sup>XX</sup> * BB- 2 AFFM-LR7A <sup>XX</sup> * BB- 2 BFFM-LR6A <sup>XX</sup> *	BB- 2 AMMM-LL6A <sup>XX</sup> * BB- 2 BMMM-LL7A <sup>XX</sup> *	BB- 2 BMMA-LL7001

\* XX: Choose the cable length from 01~99m

\*\* [A] Stamp pin

Standard Size: 2 Points Lock Bayonet > In-Line

<ul style="list-style-type: none"> <li>Female Connector (Housing)</li> <li>Female Contacts</li> <li>2 Points Lock Bayonet</li> </ul>		<p>Field Installable →</p> 	<p>Overmolded with Cable →</p> 	<p>Field Installable</p> 
Current Rating (Code)	Contacts 2	Female Connector (F) Female Contacts (F)	Male Connector (M) Male Contacts (M)	Male Connector (M) Male Contacts (M)
2A (BU)	10, 12	BU- 2 BFFA-LL7001	BU- 2 AMMM-LL6A <sup>XX</sup> * BU- 2 BMMM-LL7A <sup>XX</sup> *	BU- 2 BMMA-LL7001
5A (BD)	02,03,04, 05,06,07,08	BD- 2 BFFA-LL7001	BD- 2 AMMM-LL6A <sup>XX</sup> * BD- 2 BMMM-LL7A <sup>XX</sup> *	BD- 2 BMMA-LL7001
10A (BB)	02,03,04	BB- 2 BFFA-LL7001	BB- 2 AMMM-LL6A <sup>XX</sup> * BB- 2 BMMM-LL7A <sup>XX</sup> *	BB- 2 BMMA-LL7001

\* XX: Choose the cable length from 01~99m

Standard Size: 2 Points Lock Bayonet > In-Line

<ul style="list-style-type: none"> <li>Female Connector (Housing)</li> <li>Male Contacts</li> <li>2 Points Lock Bayonet</li> </ul>				
Current Rating (Code)	Contacts ②	Female Connector (F) Male Contacts (M)	Male Connector (M) Female Contacts (F)	Male Connector (M) Female Contacts (F)
5A (BD)	02,03,04, 05,06	[A]BD-② BFMM-LL7A <sub>XX</sub> * BD-② AFMM-LR7A <sub>XX</sub> * BD-② BFMM-LR6A <sub>XX</sub> *	BD-② AMFM-LL6A <sub>XX</sub> * BD-② BMFM-LL7A <sub>XX</sub> *	BD-② BMFA-LL7001
10A (BB)	02,03	[A]BB-② BFMM-LL7A <sub>XX</sub> * BB-② AFMM-LR7A <sub>XX</sub> * BB-② BFMM-LR6A <sub>XX</sub> *	BB-② PMFM-LL7A <sub>XX</sub> *	-
5A+2A (BDU)	08 (2+6)	BDU-08AFMM-LL6A <sub>XX</sub> * BDU-08AFMM-LR7A <sub>XX</sub> * BDU-08BFMM-LL7A <sub>XX</sub> *	BDU-08PMFM-LL7A <sub>XX</sub> *	-
10A+5A (BBD)	06 (2+4)	BBD-② AFMM-LL6A <sub>XX</sub> * BBD-② AFMM-LR7A <sub>XX</sub> * BBD-② BFMM-LL7A <sub>XX</sub> * BBD-② BFMM-LR6A <sub>XX</sub> *	BBD-06PMFM-LL7A <sub>XX</sub> *	BBD-06BMFA-LL7001

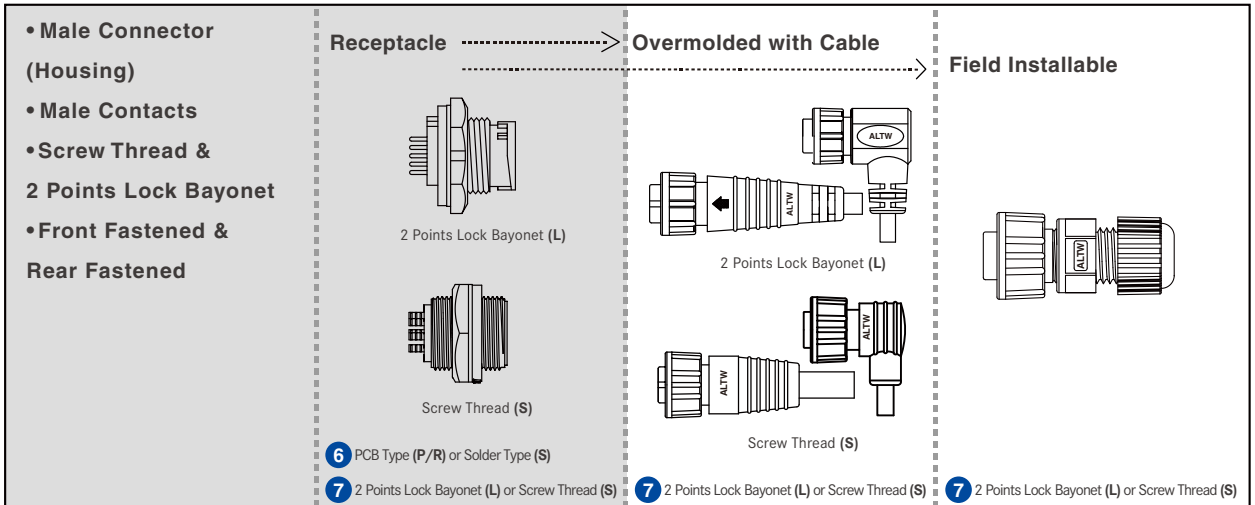
【Note】 BDU-08AMFM-LL6A<sub>XX</sub> and BDU-08BMFM-LL7A<sub>XX</sub> are coming soon.

\* <sub>XX</sub>: Choose the cable length from 01~99m

\*\* [A] Stamp pin

【Note】 Design and specification are subject to change without notice.

Standard Size: 5/8"-27 UNS and 2 Points Lock Bayonet > Receptacle and Mating Pair



Current Rating (Code)	Contacts 2	Male Connector (M) Male Contacts (M)	Female Connector (F) Female Contacts (F)	Female Connector (F) Female Contacts (F)
2A (BU)	10,12	BU-2PMM 6-7C7001 BU-2RMMS-7C7001	BU-2AFFM-7L6AXX* BU-2AFFM-7R7AXX* BU-2BFFM-7L7AXX* BU-2BFFM-LR6AXX*	BU-2BFFA-7L7001
2A (BSU) *Metal	10	BSU-2PMM 6-SC7001 BSU-2RMMS-SC7001	BSU-10BFFM-SL7AXX* BSU-10BFFM-SR6AXX*	-
5A (BD)	02,03,04,05, 06,07,08	BD-2PMMP-7C7001 BD-2PMMR-7C7001 [A]BD-2PMMS-7C7001 [A]BD-2RMMS-7C7001	[A]BD-2BFFM-7L7AXX* BD-2AFFM-7R7AXX* BD-2BFFM-7R6AXX*	BD-2BFFA-7L7001
5A (BSD)	04,05,06, 07,08	BSD-2PMM 6-SC7001 BSD-06RMMS-SC7001 BSD-08RMMS-SC7001	BSD-2BFFM-SL6AXX* BSD-2BFFM-SR6AXX*	-
10A (BB)	02,03,04	[A]BB-2PMMS-7C7001 [A]BB-2RMMS-7C7001	[A]BB-2BFFM-7L7AXX* BB-2AFFM-7R7AXX* BB-2BFFM-7R6AXX*	BB-2BFFA-7L7001
10A (BSB) *Metal	04	BSB-04RMMS-SC7001	BSB-04BFFM-SL7AXX*	-

\* XX: Choose the cable length from 01~99m  
\*\* [A] Stamp pin

∟ **Standard Size: 5/8"-27 UNS and 2 Points Lock Bayonet >**  
**Receptacle with Overmolded Cable and Mating Pair**

<ul style="list-style-type: none"> <li>• Male Connector (Housing)</li> <li>• Male Contacts</li> <li>• Screw Thread &amp; 2 Points Lock Bayonet</li> </ul>		<p>Receptacle →</p> <p>Screw Thread (S)</p> <p>2 Points Lock Bayonet (L)</p>	<p>Overmolded with Cable →</p> <p>2 Points Lock Bayonet (L)</p> <p>Screw Thread (S)</p>	<p>Field Installable</p>
		⑦ 2 Points Lock Bayonet (L) or Screw Thread (S)	⑦ 2 Points Lock Bayonet (L) or Screw Thread (S)	⑦ 2 Points Lock Bayonet (L) or Screw Thread (S)
Current Rating (Code)	Contacts ②	Male Connector (M) Male Contacts (M)	Female Connector (F) Female Contacts (F)	Female Connector (F) Female Contacts (F)
2A (BU)	10, 12	BU-② PMMM-⑦ L7AXX*	BU-② AFFM-⑦ L6AXX* BU-② AFFM-⑦ R7AXX* BU-② BFFM-⑦ L7AXX* BU-② BFFM-⑦ R6AXX*	BU-② BFFA-⑦ L7001
5A (BD)	02,03,04, 05,06,07,08	BD-② PMMM-⑦ L7AXX*	[A]BD-② BFFM-⑦ L7AXX* BD-② AFFM-⑦ R7AXX* BD-② BFFM-⑦ R6AXX*	BD-② BFFA-⑦ L7001
10A (BB)	02,03,04	BB-② PMMM-⑦ L7AXX*	[A]BB-② BFFM-⑦ L7AXX* BB-② AFFM-⑦ R7AXX* BB-② BFFM-⑦ R6AXX*	BB-② BFFA-⑦ L7001

\* XX: Choose the cable length from 01~99m  
 \*\* [A] Stamp pin

【Note】 Design and specification are subject to change without notice.

# Circular Connector | Find Our Standard Products

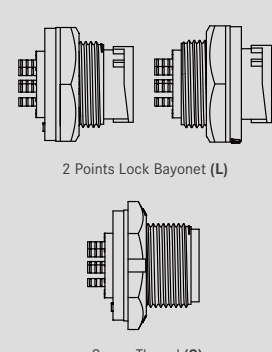
## Standard Size: Screw Thread and 2 Points Lock Bayonet

Receptacle and Mating Pair

### Standard Size: 5/8"-27 UNS and 2 Points Lock Bayonet > Receptacle and Mating Pair

- Male Connector (Housing)
- Female Contacts
- Screw Thread & 2 Points Lock Bayonet
- Front Fastened & Rear Fastened

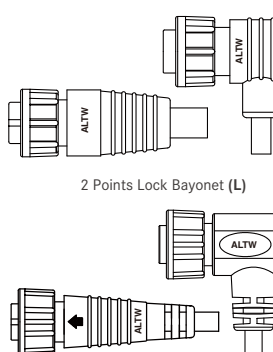
**Receptacle** →



2 Points Lock Bayonet (L)

Screw Thread (S)


→ **Overmolded with Cable** →



2 Points Lock Bayonet (L)

Screw Thread (S)

**Field Installable**



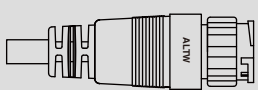
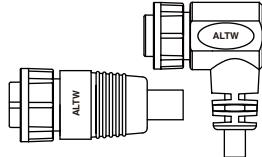
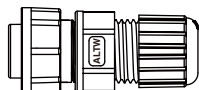
6 PCB Type (P/R) or Solder Type (S)

7 2 Points Lock Bayonet (L) or Screw Thread (S)

Current Rating (Code)	Contacts 2	Male Connector (M) Female Contacts (F)	Female Connector (F) Male Contacts (M)	Female Connector (F) Male Contacts (M)
5A (BD)	02,03,04,05,06	BD- 2 PMFP- 7 C7001 [A]BD- 2 PMFS- 7 C7001 [A]BD- 2 RMFS- 7 C7001	[A]BD- 2 BFMM- 7 L7A <del>XX</del> * BD- 2 AFMM- 7 R7A <del>XX</del> * BD- 2 BFMM- 7 R6A <del>XX</del> *	BD- 2 BFMA- 7 L7001
10A (BB)	02,03	BB- 2 PMFP- 7 C7001 [A]BB- 2 PMFS- 7 C7001 [A]BB- 2 RMFS- 7 C7001	[A]BB- 2 BFMM- 7 L7A <del>XX</del> * BB- 2 AFMM- 7 R7A <del>XX</del> * BB- 2 BFMM- 7 R6A <del>XX</del> *	BB- 2 BFMA- 7 L7001
5A+2A (BDU)	08 (2+6)	BDU-08PMF 6 - 7 C7001 BDU-08RMFS- 7 C7001	BDU-08AFMM- 7 L6A <del>XX</del> * BDU-08AFMM- 7 R7A <del>XX</del> * BDU-08BFMM- 7 L7A <del>XX</del> *	BDU-08BFMA- 7 L7001
10A+5A (BBD)	06 (2+4)	BBD-06PMF 6 - 7 C7001 BBD-06RMFS- 7 C7001	BBD-06AFMM- 7 L6A <del>XX</del> * BBD-06AFMM- 7 R7A <del>XX</del> * BBD-06BFMM- 7 L7A <del>XX</del> * BBD-06BFMM- 7 R6A <del>XX</del> *	BBD-06BFMA- 7 L7001

\* ~~XX~~: Choose the cable length from 01~99m  
 \*\* [A] Stamp pin

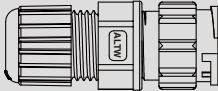
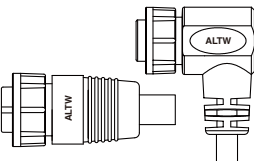
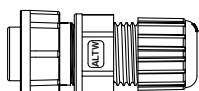
➤ Middle Size: 2 Points Lock Bayonet > In-Line

<ul style="list-style-type: none"> <li>• Male Connector (Housing)</li> <li>• Male Contacts</li> <li>• 2 Points Lock Bayonet</li> </ul>		Overmolded with Cable → 	Overmolded with Cable → 	Field Installable 
Current Rating (Code)	Contacts 2	Male Connector (M) Male Contacts (M)	Female Connector (F) Female Contacts (F)	Female Connector (F) Female Contacts (F)
5A (CD)	07,08,09, 10,12,14	CD-2AMMM-LL7A <sup>XX</sup> * CD-2BMMM-LL6A <sup>XX</sup> *	[A]CD-2AFFM-LL7A <sup>XX</sup> * CD-2AFFM-LR7A <sup>XX</sup> *	CD-2BFFA-LL7001

➤ Middle Size: 2 Points Lock Bayonet > In-Line

\* XX: Choose the cable length from 01~99m

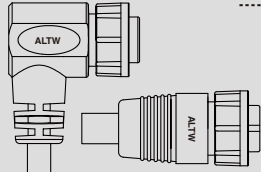
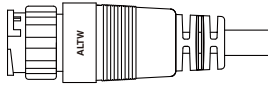
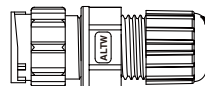
\*\* [A] Stamp pin

<ul style="list-style-type: none"> <li>• Male Connector (Housing)</li> <li>• Male Contacts</li> <li>• 2 Points Lock Bayonet</li> </ul>		Field Installable 	Overmolded with Cable → 	Field Installable 
Current Rating (Code)	Contacts 2	Male Connector (M) Male Contacts (M)	Female Connector (F) Female Contacts (F)	Female Connector (F) Female Contacts (F)
5A (CD)	07,08,09, 10,12,14	CD-2BMMA-LL7001	[A]CD-2AFFM-LL7A <sup>XX</sup> * CD-2AFFM-LR7A <sup>XX</sup> *	CD-2BFFA-LL7001

➤ Middle Size: 2 Points Lock Bayonet > In-Line

\* XX: Choose the cable length from 01~99m

\*\* [A] Stamp pin

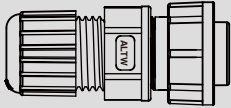
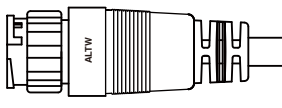
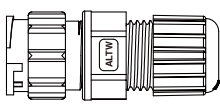
<ul style="list-style-type: none"> <li>• Female Connector (Housing)</li> <li>• Female Contacts</li> <li>• 2 Points Lock Bayonet</li> </ul>		Overmolded with Cable → 	Overmolded with Cable → 	Field Installable 
Current Rating (Code)	Contacts 2	Female Connector (F) Female Contacts (F)	Male Connector (M) Male Contacts (M)	Male Connector (M) Male Contacts (M)
5A (CD)	07,08,09, 10,12,14	[A]CD-2AFFM-LL7A <sup>XX</sup> * CD-2AFFM-LR7A <sup>XX</sup> *	CD-2AMMM-LL7A <sup>XX</sup> * CD-2BMMM-LL6A <sup>XX</sup> *	CD-2BMMA-LL7001

\* XX: Choose the cable length from 01~99m

\*\* [A] Stamp pin

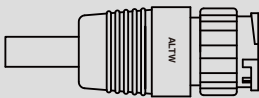
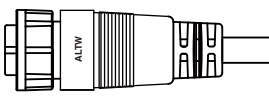
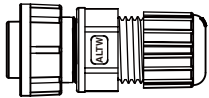
[Note] Design and specification are subject to change without notice.

∟ Middle Size: 2 Points Lock Bayonet > In-Line

<ul style="list-style-type: none"> <li>• Female Connector (Housing)</li> <li>• Female Contacts</li> <li>• 2 Points Lock Bayonet</li> </ul>		Field Installable 	Overmolded with Cable 	Field Installable 
Current Rating (Code)	Contacts <b>2</b>	Female Connector (F) Female Contacts (F)	Male Connector (M) Male Contacts (M)	Male Connector (M) Male Contacts (M)
5A (CD)	07,08,09, 10,12,14	CD- <b>2</b> BFFA-LL7001	CD- <b>2</b> AMMM-LL7A $\underline{XX}$ * CD- <b>2</b> BMMM-LL6A $\underline{XX}$ *	CD- <b>2</b> BMMA-LL7001

\*  $\underline{XX}$ : Choose the cable length from 01~99m

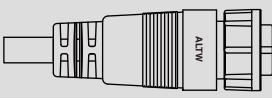
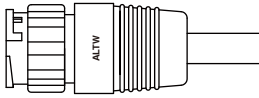
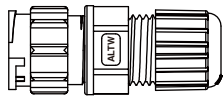
∟ Middle Size: 2 Points Lock Bayonet > In-Line

<ul style="list-style-type: none"> <li>• Male Connector (Housing)</li> <li>• Female Contacts</li> <li>• 2 Points Lock Bayonet</li> </ul>		Overmolded with Cable 	Overmolded with Cable 	Field Installable 
Current Rating (Code)	Contacts <b>2</b>	Male Connector (M) Female Contacts (F)	Female Connector (F) Male Contacts (M)	Female Connector (F) Male Contacts (M)
5A (CD)	07,08,09	CD- <b>2</b> AMFM-LL7A $\underline{XX}$ * CD- <b>2</b> BMFM-LL6A $\underline{XX}$ *	[A]CD- <b>2</b> AFMM-LL7A $\underline{XX}$ *	CD- <b>2</b> BFMA-LL7001

\*  $\underline{XX}$ : Choose the cable length from 01~99m

\*\* [A] Stamp pin

∟ Middle Size: 2 Points Lock Bayonet > In-Line

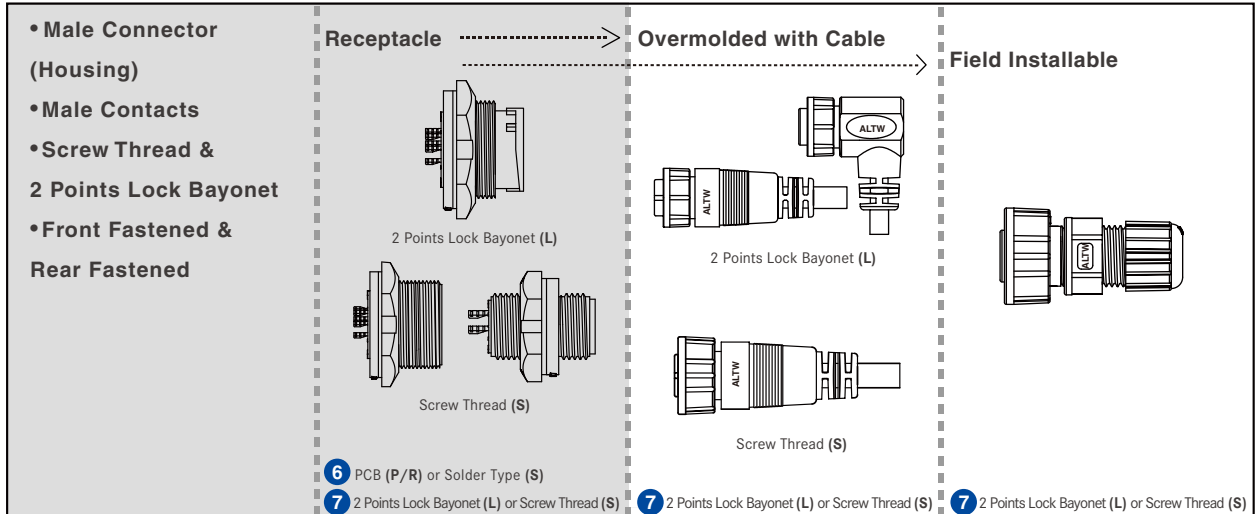
<ul style="list-style-type: none"> <li>• Female Connector (Housing)</li> <li>• Male Contacts</li> <li>• 2 Points Lock Bayonet</li> </ul>		Overmolded with Cable 	Overmolded with Cable 	Field Installable 
Current Rating (Code)	Contacts <b>2</b>	Female Connector (F) Male Contacts (M)	Male Connector (M) Female Contacts (F)	Male Connector (M) Female Contacts (F)
5A (CD)	07,08,09	[A]CD- <b>2</b> AFMM-LL7A $\underline{XX}$ *	CD- <b>2</b> AMFM-LL7A $\underline{XX}$ * CD- <b>2</b> BMFM-LL6A $\underline{XX}$ *	CD- <b>2</b> BMFA-LL7001

\*  $\underline{XX}$ : Choose the cable length from 01~99m

\*\* [A] Stamp pin



▾ Middle Size: 13/16"-28 UNS and 2 Points Lock Bayonet > Receptacle and Mating Pair

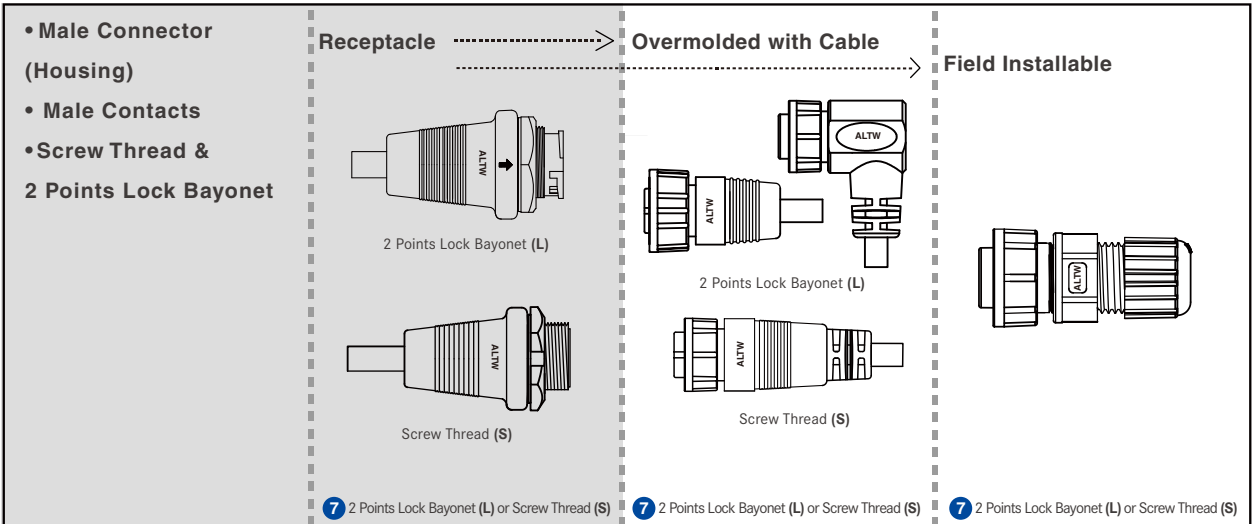


Current Rating (Code)	Contacts <sup>2</sup>	Male Connector (M) Male Contacts (M)	Female Connector (F) Female Contacts (F)	Female Connector (F) Female Contacts (F)
2A (CU)	18	CU-18PMMP- <sup>7</sup> C7001 CU-18PMMP-SC7002	CU-18AFFM- <sup>7</sup> L7A <sup>XX</sup> * CU-18BFFM- <sup>7</sup> L6A <sup>XX</sup> *	CU-18BFFA- <sup>7</sup> L7001
5A (CD)	07,08,09, 10,12,14	CD- <sup>2</sup> PMMP- <sup>7</sup> C7001 [A]CD- <sup>2</sup> PMMS- <sup>7</sup> C7001 [A]CD- <sup>2</sup> RMMS- <sup>7</sup> C7001	[A]CD- <sup>2</sup> AFFM- <sup>7</sup> L7A <sup>XX</sup> * CD- <sup>2</sup> AFFM-LR7A <sup>XX</sup> *	CD- <sup>2</sup> BFFA- <sup>7</sup> L7001
10A (CB)	04,05,06	CB- <sup>2</sup> PMMP- <sup>7</sup> C7001 [A]CB- <sup>2</sup> PMMS- <sup>7</sup> C7001 [A]CB- <sup>2</sup> RMMS- <sup>7</sup> C7001	[A]CB- <sup>2</sup> AFFM- <sup>7</sup> L7A <sup>XX</sup> *	CB- <sup>2</sup> BFFA- <sup>7</sup> L7001
10A+5A (CBD)	08 (2+6)	CBD-08PMM <sup>6</sup> - <sup>7</sup> C7001	CBD-08AFFM- <sup>7</sup> L7A <sup>XX</sup> * CBD-08BFFM- <sup>7</sup> L6A <sup>XX</sup> *	CBD-08BFFA- <sup>7</sup> L7001
20A (CC)	03	[A]CC-03PMMS- <sup>7</sup> C7001 [A]CC-03RMMS-LC7001 CC-03RMMS- <sup>7</sup> C7001	[A]CC-03AFFM- <sup>7</sup> L7A <sup>XX</sup> *	CC-03BFFA- <sup>7</sup> L7001

\* XX: Choose the cable length from 01~99m  
 \*\* [A] Stamp pin

[Note] Design and specification are subject to change without notice.

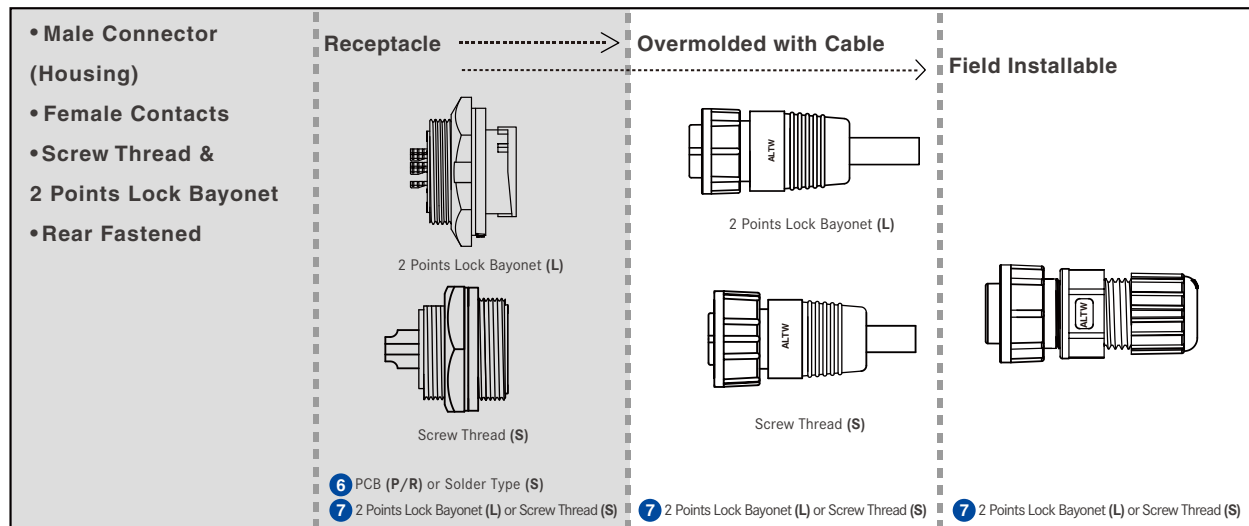
∟ **Middle Size: 13/16"-28 UNS and 2 Points Lock Bayonet >**  
**Receptacle with Overmolded Cable and Mating Pair**



Current Rating (Code)	Contacts <b>2</b>	Male Connector (M) Male Contacts (M)	Female Connector (F) Female Contacts (F)	Female Connector (F) Female Contacts (F)
5A (CD)	07,08,09,10,12,14	CD- <b>2</b> PMMM- <b>7</b> L7A <u>XX</u> *	[A]CD- <b>2</b> AFFM- <b>7</b> L7A <u>XX</u> * CD- <b>2</b> AFFM-LR7A <u>XX</u> *	CD- <b>2</b> BFFA- <b>7</b> L7001
10A (CB)	04,05,06	CB- <b>2</b> PMMM- <b>7</b> L7A <u>XX</u> *	[A]CB- <b>2</b> AFFM- <b>7</b> L7A <u>XX</u> *	CB- <b>2</b> BFFA- <b>7</b> L7001
20A (CC)	03	CC-03PMMM-SL7A <u>XX</u> *	[A]CC-03AFFM-SL7A <u>XX</u> *	CC-03BFFA- <b>7</b> L7001

\* XX: Choose the cable length from 01-99m  
 \*\* [A] Stamp pin

▾ Middle Size: 13/16"-28 UNS and 2 Points Lock Bayonet >  
 Receptacle and Mating Pair

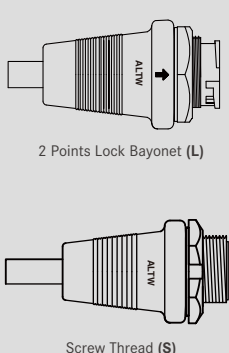
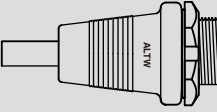
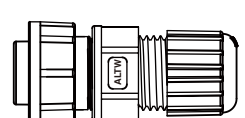
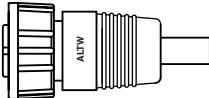
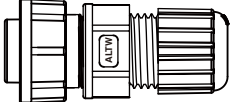


Current Rating (Code)	Contacts ②	Male Connector (M) Female Contacts (F)	Female Connector (F) Male Contacts (M)	Female Connector (F) Male Contacts (M)
5A (CD)	07,08,09	CD-②PMFP-⑦C7001 [A]CD-②PMFS-⑦C7001 [A]CD-②RMFS-⑦C7001	[A]CD-②AFMM-⑦L7A $\underline{XX}$ *	CD-②BFMA-⑦L7001
5A+2A (CDU)	12 (2+10) 14 (2+12)	CDU-②PMF⑥-⑦C7001	CDU-②AFMM-⑦L7A $\underline{XX}$ * CDU-②BFMM-⑦L6A $\underline{XX}$ * CDU-②BFMM-⑦L7A $\underline{XX}$ *	CDU-②BFMA-⑦L7001
10A (CB)	04,05	CB-②PMFP-⑦C7001 [A]CB-②PMFS-⑦C7001 [A]CB-②RMFS-⑦C7001	[A]CB-②AFMM-⑦L7A $\underline{XX}$ *	CB-②BFMA-⑦L7001
10A+5A (CBD)	08 (2+6)	CBD-08PMF⑥-⑦C7001	CBD-08AFMM-⑦L7A $\underline{XX}$ * CBD-08BFMM-⑦L6A $\underline{XX}$ *	CBD-08BFMA-⑦L7001
20A (CC)	02	CC-02PMFS-LC7001	CC-02AFMM-LL7A $\underline{XX}$ *	-

\*  $\underline{XX}$ : Choose the cable length from 01~99m  
 \*\* [A] Stamp pin

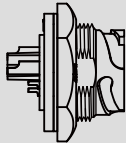
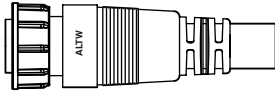
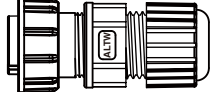
[Note] Design and specification are subject to change without notice.

➤ Middle Size: 13/16"-28 UNS and 2 Points Lock Bayonet >  
Receptacle with Overmolded Cable and Mating Pair

<ul style="list-style-type: none"> <li>• Male Connector (Housing)</li> <li>• Female Contacts</li> <li>• Screw Thread &amp; 2 Points Lock Bayonet</li> </ul>		<p>Receptacle</p>  <p>2 Points Lock Bayonet (L)</p>  <p>Screw Thread (S)</p>	<p>Overmolded with Cable</p>  <p>2 Points Lock Bayonet (L)</p>  <p>Screw Thread (S)</p>	<p>Field Installable</p> 
		<p>⑦ 2 Points Lock Bayonet (L) or Screw Thread (S)</p>		<p>⑦ 2 Points Lock Bayonet (L) or Screw Thread (S)</p>
Current Rating (Code)	Contacts ②	Male Connector (M) Female Contacts (F)	Female Connector (F) Male Contacts (M)	Female Connector (F) Male Contacts (M)
5A (CD)	07,08,09	CD-② PMFM-⑦ L7A <sup>XX</sup> *	[A]CD-② AFMM-⑦ L7A <sup>XX</sup> *	CD-② BFMA-⑦ L7001
10A (CB)	04,05	CB-② PMFM-⑦ L7A <sup>XX</sup> *	[A]CB-② AFMM-⑦ L7A <sup>XX</sup> *	CB-② BFMA-⑦ L7001

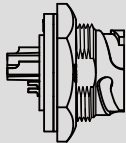
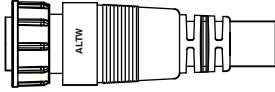
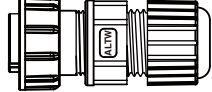
\* XX: Choose the cable length from 01~99m  
\*\* [A] Stamp pin

∟ Middle Size: 3 Points Lock Bayonet > Receptacle and Mating Pair

<ul style="list-style-type: none"> <li>• Male Connector (Housing)</li> <li>• Female Power+Male Signal</li> <li>• 3 Points Lock Bayonet</li> <li>• Front Fastened</li> </ul>		<p>Receptacle</p> 	<p>Overmolded with Cable</p> 	<p>Field Installable</p> 
Current Rating (Code)	Contacts	Male Connector (M) Female Power+Male Signal (D)	Female Connector (F) Male Power+Female Signal (E)	Female Connector (F) Male Power+Female Signal (E)
10A+2A (CBU)	08 (3+5)	CBU-08PMDS-TC7001	CBU-08AFEM-TL7A <sup>XX</sup> *	CBU-08BFEA-TL7001

\* XX: Choose the cable length from 01~99m

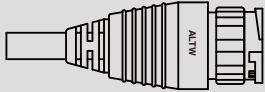
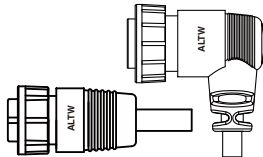
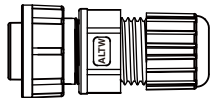
∟ Middle Size: 3 Points Lock Bayonet > Receptacle and Mating Pair

<ul style="list-style-type: none"> <li>• Male Connector (Housing)</li> <li>• Male Power+Female Signal</li> <li>• 3 Points Lock Bayonet</li> <li>• Front Fastened</li> </ul>		<p>Receptacle</p> 	<p>Overmolded with Cable</p> 	<p>Field Installable</p> 
Current Rating (Code)	Contacts	Male Connector (M) Male Power+Female Signal (E)	Female Connector (F) Female Power+Male Signal (D)	Female Connector (F) Female Power+Male Signal (D)
10A+2A (CBU)	08 (3+5)	CBU-08PMES-TC7001	CBU-08AFDM-TL7A <sup>XX</sup> *	CBU-08BFDA-TL7001

\* XX: Choose the cable length from 01~99m

【Note】 Design and specification are subject to change without notice.

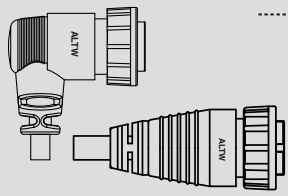
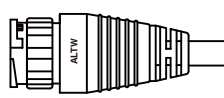

Large Size: 2 Points Lock Bayonet > In-Line

<ul style="list-style-type: none"> <li>• Male Connector (Housing)</li> <li>• Male Contacts</li> <li>• 2 Points Lock Bayonet</li> </ul>		<p>Overmolded with Cable →</p> 	<p>Overmolded with Cable →</p> 	<p>Field Installable</p> 
Current Rating (Code)	Contacts	Male Connector (M) Male Contacts (M)	Female Connector (F) Female Contacts (F)	Female Connector (F) Female Contacts (F)
5A (DD)	18	DD-18AMMM-LL7A <sup>XX</sup> * DD-18BMMM-LL6A <sup>XX</sup> *	[A]DD-18AFFM-LL7A <sup>XX</sup> * DD-18AFFM-LR7A <sup>XX</sup> *	DD-18BFFA-LL7001

\* XX: Choose the cable length from 01~99m

\*\* [A] Stamp pin

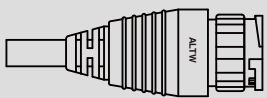
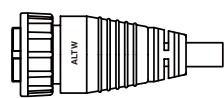
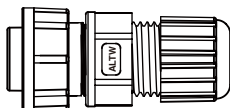
Large Size: 2 Points Lock Bayonet > In-Line

<ul style="list-style-type: none"> <li>• Female Connector (Housing)</li> <li>• Female Contacts</li> <li>• 2 Points Lock Bayonet</li> </ul>		<p>Overmolded with Cable →</p> 	<p>Overmolded with Cable →</p> 	<p>Field Installable</p> 
Current Rating (Code)	Contacts	Female Connector (F) Female Contacts (F)	Male Connector (M) Male Contacts (M)	Male Connector (M) Male Contacts (M)
5A (DD)	18	[A]DD-18AFFM-LL7A <sup>XX</sup> * DD-18AFFM-LR7A <sup>XX</sup> *	DD-18AMMM-LL7A <sup>XX</sup> * DD-18BMMM-LL6A <sup>XX</sup> *	DD-18BMMA-LL7001

\* XX: Choose the cable length from 01~99m

\*\* [A] Stamp pin



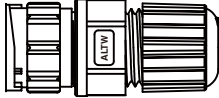
Large Size: 2 Points Lock Bayonet > In-Line

<ul style="list-style-type: none"> <li>• Male Connector (Housing)</li> <li>• Female Contacts</li> <li>• 2 Points Lock Bayonet</li> </ul>		<p>Overmolded with Cable →</p> 	<p>Overmolded with Cable →</p> 	<p>Field Installable</p> 
Current Rating (Code)	Contacts	Male Connector (M) Female Contacts (F)	Female Connector (F) Male Contacts (M)	Female Connector (F) Male Contacts (M)
5A (DD)	18	DD-18AMFM-LL7A <sup>XX</sup> * DD-18BMFM-LL6A <sup>XX</sup> *	[A]DD-18AFMM-LL7A <sup>XX</sup> *	DD-18BFMA-LL7001

\* XX: Choose the cable length from 01~99m

\*\* [A] Stamp pin


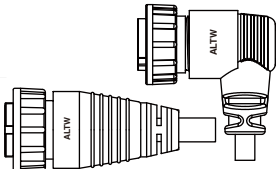
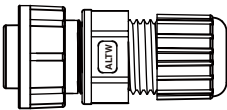
Large Size: 2 Points Lock Bayonet > In-Line

<ul style="list-style-type: none"> <li>Female Connector (Housing)</li> <li>Male Contacts</li> <li>2 Points Lock Bayonet</li> </ul>		Overmolded with Cable $\dashrightarrow$ 	Overmolded with Cable $\dashrightarrow$ 	Field Installable 
Current Rating (Code)	Contacts	Female Connector (F) Male Contacts (M)	Male Connector (M) Female Contacts (F)	Male Connector (M) Female Contacts (F)
5A (DD)	18	[A]DD-18AFMM-LL7A $\underline{XX}$ *	DD-18AMFM-LL7A $\underline{XX}$ * DD-18BMFM-LL6A $\underline{XX}$ *	DD-18BMFA-LL7001

\*  $\underline{XX}$ : Choose the cable length from 01~99m


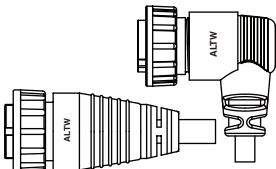
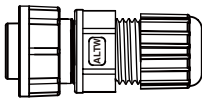
\*\* [A] Stamp pin

Large Size: 2 Points Lock Bayonet > In-Line

<ul style="list-style-type: none"> <li>Male Connector (Housing)</li> <li>Female Power+Male Signal</li> <li>2 Points Lock Bayonet</li> </ul>		Overmolded with Cable $\dashrightarrow$ 	Overmolded with Cable $\dashrightarrow$ 	Field Installable 
Current Rating (Code)	Contacts	Male Connector (M) Female Power+Male Signal (D)	Female Connector (F) Male Power+Female Signal (E)	Female Connector (F) Male Power+Female Signal (E)
20A+2A (DCU)	08 (3+5)	DCU-08AMD $\underline{M}$ -LL7B $\underline{XX}$ *	DCU-08AFEM-LL7B $\underline{XX}$ *	DCU-08BFEA-LL7001
20A+5A (DCD)	12 (3+9)	DCD-12AMD $\underline{M}$ -LL7A $\underline{XX}$ *	DCD-12AFEM-LL7A $\underline{XX}$ * DCD-12AFEM-LR7A $\underline{XX}$ *	DCD-12BFEA-LL7001

\*  $\underline{XX}$ : Choose the cable length from 01~99m

Large Size: 2 Points Lock Bayonet > In-Line

<ul style="list-style-type: none"> <li>Male Connector (Housing)</li> <li>Female Power+Male Signal</li> <li>2 Points Lock Bayonet</li> </ul>		Field Installable $\dashrightarrow$ 	Overmolded with Cable $\dashrightarrow$ 	Field Installable 
Current Rating (Code)	Contacts	Male Connector (M) Female Power+Male Signal (D)	Female Connector (F) Male Power+Female Signal (E)	Female Connector (F) Male Power+Female Signal (E)
20A+2A (DCU)	08 (3+5)	DCU-08BM $\underline{D}$ A-LL7001	DCU-08AFEM-LL7B $\underline{XX}$ *	DCU-08BFEA-LL7001
20A+5A (DCD)	12	DCD-12BM $\underline{D}$ A-LL7001	DCD-12AFEM-LL7A $\underline{XX}$ * DCD-12AFEM-LR7A $\underline{XX}$ *	DCD-12BFEA-LL7001

\*  $\underline{XX}$ : Choose the cable length from 01~99m

[Note] Design and specification are subject to change without notice.

Large Size: 2 Points Lock Bayonet > In-Line

<ul style="list-style-type: none"> <li>• Male Connector (Housing)</li> <li>• Male Power+Female Signal</li> <li>• 2 Points Lock Bayonet</li> </ul>		Overmolded with Cable →	Overmolded with Cable →	Field Installable
Current Rating (Code)	Contacts	Male Connector (M) Male Power+Female Signal (E)	Female Connector (F) Female Power+Male Signal (D)	Female Connector (F) Female Power+Male Signal (D)
20A+2A (DCU)	08 (3+5)	DCU-08AMEM-LL7BXX*	DCU-08AFDM-LL7BXX*	DCU-08BFDA-LL700 1
20A+5A (DCD)	12 (3+9)	DCD-12AMEM-LL7AXX*	DCD-12AFDM-LL7AXX* DCD-12AFDM-LR7AXX*	DCD-12BFDA-LL700 1

\* XX: Choose the cable length from 01~99m

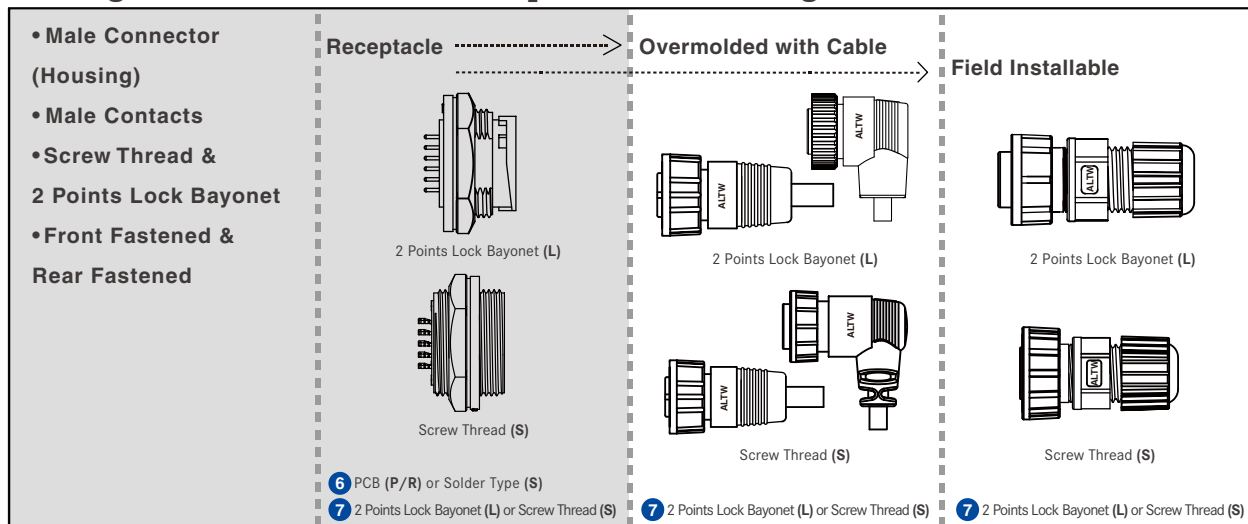
Large Size: 2 Points Lock Bayonet > In-Line

<ul style="list-style-type: none"> <li>• Male Connector (Housing)</li> <li>• Male Power+Female Signal</li> <li>• 2 Points Lock Bayonet</li> </ul>		Field Installable →	Overmolded with Cable →	Field Installable
Current Rating (Code)	Contacts	Male Connector (M) Male Power+Female Signal (E)	Female Connector (F) Female Power+Male Signal (D)	Female Connector (F) Female Power+Male Signal (D)
20A+2A (DCU)	08 (3+5)	DCU-08BMEA-LL700 1	DCU-08AFDM-LL7BXX*	DCU-08BFDA-LL700 1
20A+5A (DCD)	12 (3+9)	DCD-12BMEA-LL700 1	DCD-12AFDM-LL7AXX* DCD-12AFDM-LR7AXX*	DCD-12BFDA-LL700 1

\* XX: Choose the cable length from 01~99m



Large Size: 1"-20 UNEF > Receptacle and Mating Pair



Current Rating (Code)	Contacts 2	Male Connector (M) Male Contacts (M)	Female Connector (F) Female Contacts (F)	Female Connector (F) Female Contacts (F)
2A (DU)	20,21,22	DU-2 PMM 6 - 7 C7001	DU-2 AFFM-7 L7A <sup>XX</sup> * DU-2 BFFM-7 L6A <sup>XX</sup> *	-
5A (DD)	18	DD-18PMMP-7 C7001 [A]DD-18PMMS-7 C7001 [A]DD-18PMMS-7 S7001 [A]DD-18RMMS-7 C7001 DD-18PMMP-7 S7001	[A]DD-18AFFM-7 L7A <sup>XX</sup> * DD-18AFFM-7 R7A <sup>XX</sup> *	DD-18BFFA-7 L7001
20A (DC)	02,03,04, 05,06,07	DC-2 PMMP-7 C7001 [A]DC-2 PMMS-7 C7001 [A]DC-2 RMMS-7 C7001 DC-2 PMMP-7 S7001 [A]DC-2 PMMS-7 S7001	[A]DC-2 AFFM-7 L7A <sup>XX</sup> *	DC-2 BFFA-7 L7001 DC-02BFFB-7 L7001 DC-03BFFB-LL7001

\* XX: Choose the cable length from 01~99m

\*\* [A] Stamp pin

[Note] Design and specification are subject to change without notice.

Large Size: 1"-20UNEF and 2 Points Lock Bayonet > Receptacle and Mating Pair

<ul style="list-style-type: none"> <li>• Male Connector (Housing)</li> <li>• Female Contacts</li> <li>• Screw Thread &amp; 2 Points Lock Bayonet</li> <li>• Front Fastened</li> </ul>		<p>Receptacle</p> <p>2 Points Lock Bayonet (L)</p> <p>Screw Thread (S)</p>	<p>Overmolded with Cable</p> <p>2 Points Lock Bayonet (L)</p> <p>Screw Thread (S)</p>	<p>Field Installable</p> <p>2 Points Lock Bayonet (L)</p> <p>Screw Thread (S)</p>
		<p>6 PCB (P/R) or Solder Type (S)</p> <p>7 2 Points Lock Bayonet (L) or Screw Thread (S)</p>	<p>7 2 Points Lock Bayonet (L) or Screw Thread (S)</p>	<p>7 2 Points Lock Bayonet (L) or Screw Thread (S)</p>
Current Rating (Code)	Contacts 2	Male Connector (M) Female Contacts (F)	Female Connector (F) Male Contacts (M)	Female Connector (F) Male Contacts (M)
5A (DD)	18	DD-18PMFP-7 C7001 [A]DD-18PMFS-7 C7001 DD-18PMFP-7 S7001 [A]DD-18PMFS-7 S7001 [A]DD-18RMFS-7 C7001	[A]DD-18AFMM-7 L7A <sub>XX</sub> *	DD-18BFMA-7 L700 1
5A (DSD) *Metal	18	DSD-18PMF 6-SS8001 DSD-18PMF 6-SS8002	DSD-18BFMM-SL6A <sub>XX</sub> * DSD-18BFMM-SR6A <sub>XX</sub> *	-
20A (DC)	02,03	DC-2 PMFP-7 C7001	-	DC-2 BFMB-7 L700 1

\* XX: Choose the cable length from 01~99m

\*\* [A] Stamp pin

Large Size: 2 Points Lock Bayonet > Receptacle and Mating Pair

<ul style="list-style-type: none"> <li>• Male Connector (Housing)</li> <li>• Female Power+Male Signal</li> <li>• 2 Points Lock Bayonet</li> <li>• Front Fastened</li> </ul>		<p>Receptacle</p> <p>PCB (P/R) Type      Solder Type (S)</p> <p>6 PCB (P/R) or Solder Type (S)</p>	<p>Overmolded with Cable</p>	<p>Field Installable</p>
Current Rating (Code)	Contacts	Male Connector (M) Female Power+Male Signal (D)	Female Connector (F) Male Power+Female Signal (E)	Female Connector (F) Male Power+Female Signal (E)
20A+2A (DCU)	(3+5)	DCU-08PMDS-LC7001	DCU-08AFEM-LL7BXX*	DCU-08BFEA-LL7001
20A+5A (DCD)	(3+9)	DCD-12PMD 6-LC7001	DCD-12AFEM-LL7AXX* DCD-12AFEM-LR7AXX*	DCD-12BFEA-LL7001

\* XX: Choose the cable length from 01~99m

Large Size: 2 Points Lock Bayonet > Receptacle and Mating Pair

<ul style="list-style-type: none"> <li>• Male Connector (Housing)</li> <li>• Male Power+Female Signal</li> <li>• 2 Points Lock Bayonet</li> <li>• Front Fastened</li> </ul>		<p>Receptacle</p>	<p>Overmolded with Cable</p>	<p>Field Installable</p>
Current Rating (Code)	Contacts	Male Connector (M) Male Power+Female Signal (E)	Female Connector (F) Female Power+Male Signal (D)	Female Connector (F) Female Power+Male Signal (D)
20A+2A (DCU)	(3+5)	DCU-08PMES-LC7001	DCU-08AFDM-LL7BXX*	DCU-08BFDA-LL7001
20A+5A (DCD)	(3+9)	DCD-12PMES-LC7001	DCD-12AFDM-LL7AXX* DCD-12AFDM-LR7AXX*	DCD-12BFDA-LL7001

\* XX: Choose the cable length from 01~99m


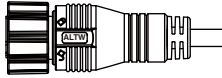
Macro Size: 2 Points Lock Bayonet > Receptacle and Mating pair

<ul style="list-style-type: none"> <li>• Male Connector (Housing)</li> <li>• Female Contacts</li> <li>• 2 Points Lock Bayonet</li> <li>• Front Fastened</li> </ul>		<p>Receptacle</p> <p>6 PCB (P) or Solder Type (S)</p>	<p>Overmolded with Cable</p>	<p>Field Installable</p>
Current Rating (Code)	Contacts	Male Connector (M) Female Contacts (F)	Female Connector (F) Male Contacts (M)	Female Connector (F) Male Contacts (M)
5A (ED)	31	ED-31PMF 6-LS7001	ED-31AFMM-LL7AXX*	-

\* XX: Choose the cable length from 01~99m


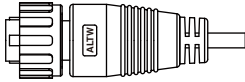
[Note] Design and specification are subject to change without notice.

Other Size: 3 Points Lock Bayonet > In-Line

<ul style="list-style-type: none"> <li>• Male Connector (Housing)</li> <li>• Male Contacts</li> <li>• 3 Points Lock Bayonet</li> </ul>		Overmolded with Cable --> 	Overmolded with Cable 	Field Installable
Current Rating (Code)	Contacts	Male Connector (M) Male Contacts (M)	Female Connector (F) Female Contacts (F)	Female Connector (F) Female Contacts (F)
10A+5A (GBD)	08	GBD-08AMMM-TL8A <sup>XX</sup> * GBD-08BMMM-TL7A <sup>XX</sup> *	GBD-08AFFM-TL8A <sup>XX</sup> * GBD-08BFFM-TL7A <sup>XX</sup> *	-

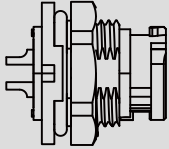
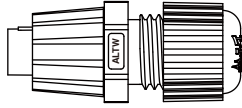
\* XX: Choose the cable length from 01~99m

Other Size: 2 Points Lock Bayonet > In-Line

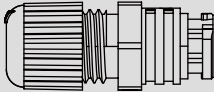
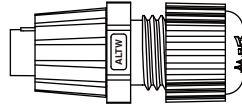
<ul style="list-style-type: none"> <li>• Male Connector (Housing)</li> <li>• Female Contacts</li> <li>• 2 Points Lock Bayonet</li> </ul>		Overmolded with Cable ----> 	Overmolded with Cable 	Field Installable
Current Rating (Code)	Contacts	Male Connector (M) Female Contacts (F)	Female Connector (F) Male Contacts (M)	Female Connector (F) Male Contacts (M)
10A (MAB)	04	MAB-04AMFM-LL7A <sup>XX</sup> * MAB-04BMFM-LL6A <sup>XX</sup> *	MAB-04AFMM-LL7A <sup>XX</sup> * MAB-04BFMM-LL6A <sup>XX</sup> *	-

\* XX: Choose the cable length from 01~99m

∟ **Other Size: Push Lock > In-Line**

<ul style="list-style-type: none"> <li>• Male Connector (Housing)</li> <li>• Female Contacts</li> <li>• Push Lock</li> <li>• Front Fastened</li> </ul>		<p>Receptacle -----&gt;</p> 	<p>Field Installable -----&gt;</p> 	<p>Field Installable</p>
Current Rating (Code)	Contacts <b>2</b>	Male Connector (M) Female Contacts (F)	Female Connector (F) Male Contacts (M)	Female Connector (F) Male Contacts (M)
5A (PLD)	02,03,04	PLD- <b>2</b> PMFS-QC7001	PLD- <b>2</b> BFMA-QL7001	-

∟ **Other Size: Push Lock > In-Line**

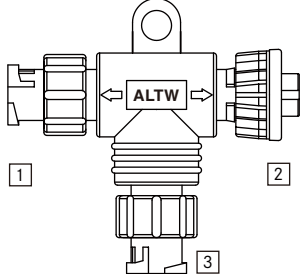
<ul style="list-style-type: none"> <li>• Male Connector (Housing)</li> <li>• Female Contacts</li> <li>• Push Lock</li> </ul>		<p>Field Installable -----&gt;</p> 	<p>Field Installable -----&gt;</p> 	<p>Field Installable</p>
Current Rating (Code)	Contacts <b>2</b>	Male Connector (M) Female Contacts (F)	Female Connector (F) Male Contacts (M)	Female Connector (F) Male Contacts (M)
5A (PLD)	02,03,04	PLD- <b>2</b> BMFA-QL7001	PLD- <b>2</b> BFMA-QL7001	-

【Note】 Design and specification are subject to change without notice.

# Accessories

## Mini Size: 7/16"-28 UNS and 2 Points Lock Bayonet > T-Adaptor

Customization - Upon Request



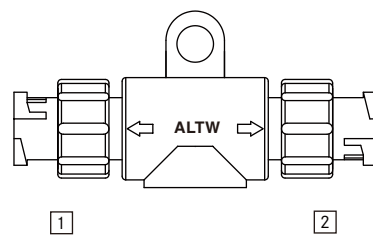
5 For connector 1  
6 For connector 2  
7 For connector 3

Choose Connector / Contacts Gender:  
M: Male + Male  
F: Female + Female

Current Rating	Contacts 2	Mating Style	Connector 1 (Male Connector / Male Contacts)	Connector 1 (Female Connector / Female Contacts)	More options
			Connector 2 (Male Connector / Male Contacts)	Connector 2 (Female Connector / Female Contacts)	
			Connector 3 (Male Connector / Male Contacts)	Connector 3 (Female Connector / Female Contacts)	
5A	02,03	Screw Thread	AA- 2 2 2 -MMM-TS001	AA- 2 2 2 -FFF-TS001	AA- 2 2 2 - 5 6 7 -TS001
		2 Points Lock Bayonet	AA- 2 2 2 -MMM-TL001	AA- 2 2 2 -FFF-TL001	AA- 2 2 2 - 5 6 7 -TL001
2A	04,05,06	Screw Thread	AA- 2 2 2 -MMM-TS001	AA- 2 2 2 -FFF-TS001	AA- 2 2 2 - 5 6 7 -TS001
		2 Points Lock Bayonet	AA- 2 2 2 -MMM-TL001	AA- 2 2 2 -FFF-TL001	AA- 2 2 2 - 5 6 7 -TL001

## Mini Size: 7/16"-28 UNS and 2 Points Lock Bayonet > I-Adaptor

Customization - Upon Request



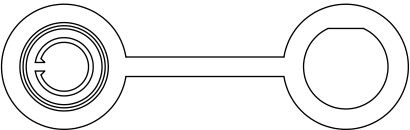
6 For connector 1  
7 For connector 2

Choose Connector / Contacts Gender:  
(M): Male + Male  
(F): Female + Female

Current Rating	Contacts 3	Mating Style	Connector 1 (Male Connector / Male Contacts)	Connector 1 (Female Connector / Female Contacts)	More options
			Connector 2 (Male Connector / Male Contacts)	Connector 2 (Female Connector / Female Contacts)	
			5A	02,03	
2 Points Lock Bayonet	AA-00 3 3 -0MM-IL001	AA-00 3 3 -0FF-IL001			AA-00 3 3 -0 6 7 -IL001
2A	04,05,06	Screw Thread	AA-00 3 3 -0MM-IS001	AA-00 3 3 -0FF-IS001	AA-00 3 3 -0 6 7 -IS001
		2 Points Lock Bayonet	AA-00 3 3 -0MM-IL001	AA-00 3 3 -0FF-IL001	AA-00 3 3 -0 6 7 -IL001

### Mini Size > Dust Cap

■ Customization - Upon Request



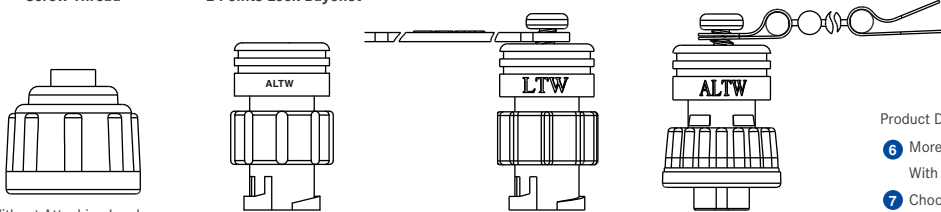
\* With Rubber Lead

Size	Mating Pair	Mating Pair (Gender)	P/N
Mini Size 7/16"-28 UNS	Receptacle	Male	CAP-DAAMDPC1

### Mini Size: 7/16"-28 UNS and 2 Points Lock Bayonet > Waterproof Cap

■ Customization - Upon Request

Screw Thread      2 Points Lock Bayonet



Without Attaching Leader      Without Attaching Leader      With Fish Line / Rubber Lead      With Chain

Product Details:

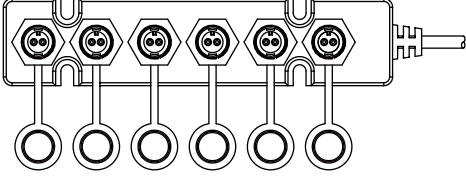
- 6 More to choose: None(A) / With Chain(B) / With Rubber Lead(C) / With Fish Line(D)
- 7 Choose 2 contacts(1) / 3 contacts(3) / 4~6 contacts(2) for male mating pair

Size	Mating Pair	Mating Style	Mating Pair (Gender)	P/N
Mini Size 7/16"-28 UNS	Receptacle	Screw Thread	Male	CAP-WAAMSP 6 1
		2 Points Lock Bayonet	Male	CAP-WAAML P 6 7
	Female		CAP-WAAFL P 6 7	
	Overmolded with Cable	Screw Thread	Male	CAP-WAAMSMA 1
		2 Points Lock Bayonet	Male	CAP-WAAMLMA 7
	Female		CAP-WAAFLMA 7	
	Receptacle and Overmolded with Cable	Screw Thread	Male	CAP-WAAMSMA 1
		2 Points Lock Bayonet	Male	CAP-WAAMLMA 7
Female	CAP-WAAFLMA 7			

【Note】 Design and specification are subject to change without notice.

↳ **Mini Size: 7/16"-28 UNS and 2 Points Lock Bayonet >**  
**Multi-Port with / without Cap**

■ Customization - Upon Request



8 For connector 1  
 9 For connector 2  
 10 For connector 3  
 11 For connector 4  
 12 For connector 5  
 13 For connector 6

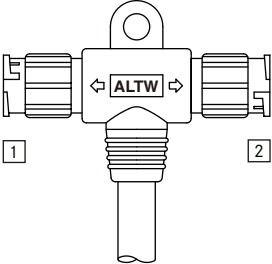
Choose Connector / Contacts Gender:  
**(M)**: Male + Male      **(H)**: Male + Female  
**(F)**: Female + Female    **(B)**: Female + Male

\* **XX**: Choose the cable length: 01-99 m / Cable 22+24+B PVC

Current Rating	Contacts <sup>2</sup>	Mating Style	Connector 1 (Male Connector / Male Contacts)	Connector 1 (Male Connector / Female Contacts)	More options
			Connector 2 (Male Connector / Male Contacts)	Connector 2 (Male Connector / Female Contacts)	
			Connector 3 (Male Connector / Male Contacts)	Connector 3 (Male Connector / Female Contacts)	
			Connector 4 (Male Connector / Male Contacts)	Connector 4 (Male Connector / Female Contacts)	
			Connector 5 (Male Connector / Male Contacts)	Connector 5 (Male Connector / Female Contacts)	
			Connector 6 (Male Connector / Male Contacts)	Connector 6 (Male Connector / Female Contacts)	
5A	02,03	Screw Thread	A- <sup>8</sup> <sup>9</sup> <sup>10</sup> <sup>11</sup> <sup>12</sup> <sup>13</sup> -MMMMMM-SAXX*	A- <sup>8</sup> <sup>9</sup> <sup>10</sup> <sup>11</sup> <sup>12</sup> <sup>13</sup> -HHHHHH-SAXX*	A- <sup>8</sup> <sup>9</sup> <sup>10</sup> <sup>11</sup> <sup>12</sup> <sup>13</sup> - <sup>7</sup> <sup>8</sup> <sup>9</sup> <sup>10</sup> <sup>11</sup> <sup>12</sup> <sup>13</sup> -SAXX*
		2 Points Lock Bayonet	A- <sup>8</sup> <sup>9</sup> <sup>10</sup> <sup>11</sup> <sup>12</sup> <sup>13</sup> -MMMMMM-LAXX* A-222222-MMMMMM-LA01	A- <sup>8</sup> <sup>9</sup> <sup>10</sup> <sup>11</sup> <sup>12</sup> <sup>13</sup> -HHHHHH-LAXX*	A- <sup>8</sup> <sup>9</sup> <sup>10</sup> <sup>11</sup> <sup>12</sup> <sup>13</sup> - <sup>7</sup> <sup>8</sup> <sup>9</sup> <sup>10</sup> <sup>11</sup> <sup>12</sup> <sup>13</sup> -LAXX*
2A	04,05,06	Screw Thread	A- <sup>8</sup> <sup>9</sup> <sup>10</sup> <sup>11</sup> <sup>12</sup> <sup>13</sup> -MMMMMM-SAXX*	A- <sup>8</sup> <sup>9</sup> <sup>10</sup> <sup>11</sup> <sup>12</sup> <sup>13</sup> -HHHHHH-SAXX*	A- <sup>8</sup> <sup>9</sup> <sup>10</sup> <sup>11</sup> <sup>12</sup> <sup>13</sup> - <sup>7</sup> <sup>8</sup> <sup>9</sup> <sup>10</sup> <sup>11</sup> <sup>12</sup> <sup>13</sup> -SAXX*
		2 Points Lock Bayonet	A- <sup>8</sup> <sup>9</sup> <sup>10</sup> <sup>11</sup> <sup>12</sup> <sup>13</sup> -MMMMMM-LAXX*	A- <sup>8</sup> <sup>9</sup> <sup>10</sup> <sup>11</sup> <sup>12</sup> <sup>13</sup> -HHHHHH-LAXX*	A- <sup>8</sup> <sup>9</sup> <sup>10</sup> <sup>11</sup> <sup>12</sup> <sup>13</sup> - <sup>7</sup> <sup>8</sup> <sup>9</sup> <sup>10</sup> <sup>11</sup> <sup>12</sup> <sup>13</sup> -LAXX*



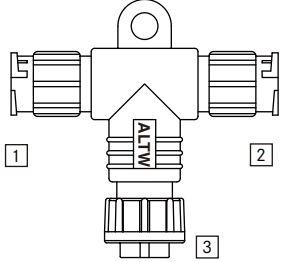
### Standard Size: 5/8" - 27 UNS and 2 Points Lock Bayonet > T-Cable

<div style="display: flex; justify-content: space-between; align-items: center;"> <span>■ Customization - Upon Request</span>  <div style="text-align: right;"> <p>⑤ For connector 1 ⑥ For connector 2</p> <p>Choose Connector / Contacts Gender: (M): Male + Male (F): Female + Female (H): Male + Female (B): Female + Male</p> <p>* XX: Choose the cable length: 01-99 m / PVC UL2464 Cable</p> </div> </div>					
Current Rating	Contacts ②	Mating Style	Connector 1 (Male Connector / Male Contacts)	Connector 1 (Female Connector / Female Contacts)	More options
			Connector 2 (Male Connector / Male Contacts)	Connector 2 (Female Connector / Female Contacts)	
10A	02,03,04	Screw Thread	BA-②②00-MM0-TSAXX*	BA-②②00-FF0-TSAXX*	BA-②②00-⑤⑥0-TSAXX*
		2 Points Lock Bayonet	BA-②②00-MM0-TLAXX*	BA-②②00-FF0-TLAXX*	BA-②②00-⑤⑥0-TLAXX*
5A	02,03,04,05,06,07,08	Screw Thread	BA-②②00-MM0-TSAXX*	BA-②②00-FF0-TSAXX*	BA-②②00-⑤⑥0-TSAXX*
		2 Points Lock Bayonet	BA-②②00-MM0-TLAXX*	BA-②②00-FF0-TLAXX*	BA-②②00-⑤⑥0-TLAXX*
2A	10,12	Screw Thread	BA-②②00-MM0-TSAXX*	BA-②②00-FF0-TSAXX*	BA-②②00-⑤⑥0-TSAXX*
		2 Points Lock Bayonet	BA-②②00-MM0-TLAXX*	BA-②②00-FF0-TLAXX*	BA-②②00-⑤⑥0-TLAXX*

【Note】 Design and specification are subject to change without notice.

Standard Size: 5/8" - 27 UNS and 2 Points Lock Bayonet > T-Adaptor

Customization - Upon Request



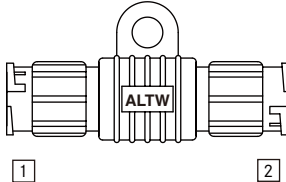
5 For connector 1  
6 For connector 2  
7 For connector 3

Choose Connector / Contacts Gender:  
(M): Male + Male  
(F): Female + Female  
(H): Male + Female  
(B): Female + Male

Current Rating	Contacts 2	Mating Style	Connector 1 (Male Connector / Male Contacts)	Connector 1 (Female Connector / Female Contacts)	More options
			Connector 2 (Male Connector / Male Contacts)	Connector 2 (Female Connector / Female Contacts)	
			Connector 3 (Male Connector / Male Contacts)	Connector 3 (Female Connector / Female Contacts)	
5A	02,03,04, 05,06,07, 08	Screw Thread	BA-2-2-2-MMM-TS001	BA-2-2-2-FFF-TS001	BA-2-2-2-5-6-7-TS001
		2 Points Lock Bayonet	BA-2-2-2-MMM-TL001	BA-2-2-2-FFF-TL001	BA-2-2-2-5-6-7-TL001
2A	10,12	Screw Thread	BA-2-2-2-MMM-TS001	BA-2-2-2-FFF-TS001	BA-2-2-2-5-6-7-TS001
		2 Points Lock Bayonet	BA-2-2-2-MMM-TL001	BA-2-2-2-FFF-TL001	BA-2-2-2-5-6-7-TL001

Standard Size: 5/8" - 27 UNS and 2 Points Lock Bayonet > I-Adaptor

Customization - Upon Request

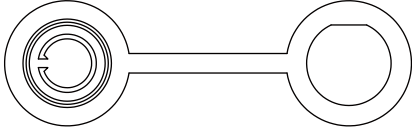


6 For connector 1  
7 For connector 2

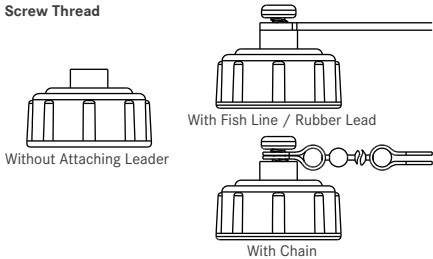
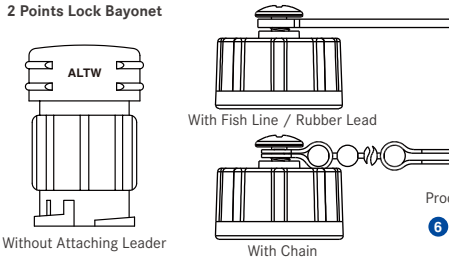
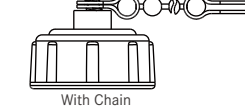
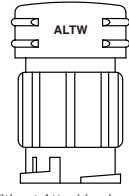
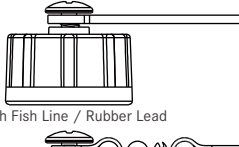

Choose Connector / Contacts Gender:  
(M): Male + Male  
(F): Female + Female  
(H): Male + Female  
(B): Female + Male

Current Rating	Contacts 3	Mating Style	Connector 1 (Male Connector / Male Contacts)	Connector 1 (Female Connector / Female Contacts)	More options
			Connector 2 (Male Connector / Male Contacts)	Connector 2 (Female Connector / Female Contacts)	
			5A	02,03,04, 05,06,07, 08	
2 Points Lock Bayonet	BA-00-3-3-0MM-IL001	BA-00-3-3-0FF-IL001			BA-00-3-3-0-6-7-IL001
2A	10,12	Screw Thread	BA-00-3-3-0MM-IS001	BA-00-3-3-0FF-IS001	BA-00-3-3-0-6-7-IS001
		2 Points Lock Bayonet	BA-00-3-3-0MM-IL001	BA-00-3-3-0FF-IL001	BA-00-3-3-0-6-7-IL001

### Standard Size > Dust Cap

<p>■ Customization - Upon Request</p>  <p>* With Rubber Lead</p>			
Size	Mating Pair	Mating Pair (Gender)	P/N
Standard Size	Receptacle	Male	CAP-DABMDPC 1 CAP-DABMDPC 2 CAP-DABMDPC 3
		Female	-
	Overmolded with Cable	Male	CAP-DABMDCC 1 CAP-DABMDCC 2
		Female	CAP-DABFDCC 1

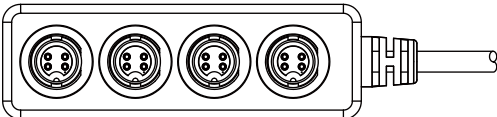
### Standard Size: 5/8" - 27 UNS and 2 Points Lock Bayonet > Waterproof Cap

<p>■ Customization - Upon Request</p> <p><b>Screw Thread</b></p>  <p>Without Attaching Leader</p>  <p>With Fish Line / Rubber Lead</p>  <p>With Chain</p> <p><b>2 Points Lock Bayonet</b></p>  <p>Without Attaching Leader</p>  <p>With Fish Line / Rubber Lead</p>  <p>With Chain</p> <p>Product Details:  <span style="border: 1px solid black; border-radius: 50%; padding: 2px;">6</span> More to choose: None(A) / With Chain(B) / With Rubber Lead(C) / With Fish Line(D)</p>				
Size	Mating Pair	Mating Style	Mating Pair (Gender)	P/N
Standard Size 5/8"-27 UNS	Receptacle	Screw Thread	Male	CAP-WABMSP <span style="border: 1px solid black; border-radius: 50%; padding: 2px;">6</span> 1
			Female	CAP-WABFSP <span style="border: 1px solid black; border-radius: 50%; padding: 2px;">6</span> 1
		2 Points Lock Bayonet	Male	CAP-WABMLP <span style="border: 1px solid black; border-radius: 50%; padding: 2px;">6</span> <span style="border: 1px solid black; border-radius: 50%; padding: 2px;">7</span> 1
			Female	CAP-WABFLP <span style="border: 1px solid black; border-radius: 50%; padding: 2px;">6</span> <span style="border: 1px solid black; border-radius: 50%; padding: 2px;">7</span> 1
	Overmolded with Cable	Screw Thread	Male	CAP-WABMSMA 1
			Female	CAP-WABFLMA 1
		2 Points Lock Bayonet	Male	CAP-WABMLMA 1
			Female	CAP-WABFLMA 1
Receptacle and Overmolded with Cable	Screw Thread	Male	CAP-WABMSMA 1	
		Female	CAP-WABFLMA 1	

[Note] Design and specification are subject to change without notice.

Standard Size: 5/8" - 27 UNS and 2 Points Lock Bayonet > Multi-Port

Customization - Upon Request



- 6 For connector 1
- 7 For connector 2
- 8 For connector 3
- 9 For connector 4


Choose Connector / Contacts Gender:  
 (M): Male + Male  
 (F): Female + Female

\* XX: Choose the cable length: 01-99 m / Cable 22+24+B PVC

Current Rating	Contacts 2	Mating Style	Connector 1 (Male Connector / Male Contacts)	Connector 1 (Male Connector / Female Contacts)	More options
			Connector 2 (Male Connector / Male Contacts)	Connector 2 (Male Connector / Female Contacts)	
			Connector 3 (Male Connector / Male Contacts)	Connector 3 (Male Connector / Female Contacts)	
			Connector 4 (Male Connector / Male Contacts)	Connector 4 (Male Connector / Female Contacts)	
10A	02,03,04	Screw Thread	B-2222-MMMM-SAXX*	B-2222-HHHH-SAXX*	B-2222-6789-SAXX*
		2 Points Lock Bayonet	B-2222-MMMM-LAXX*	B-2222-HHHH-LAXX* B-040404-HHHH-SAXX*	B-2222-6789-LAXX*
5A	02,03,04, 05,06,07, 08	Screw Thread	B-2222-MMMM-SAXX*	B-2222-HHHH-SAXX*	B-2222-6789-SAXX*
		2 Points Lock Bayonet	B-2222-MMMM-LAXX*	B-2222-HHHHHH-LA* B-040404-HHHH-SAXX*	B-2222-6789-LAXX*
2A	10, 12	Screw Thread	B-2222-MMMM-SAXX*	B-2222-HHHH-SAXX*	B-2222-6789-SAXX*
		2 Points Lock Bayonet	B-2222-MMMM-LAXX*	B-2222-HHHH-LAXX*	B-2222-6789-LAXX*

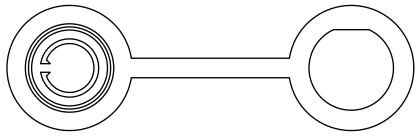
Standard Size > Wrench

Customization - Upon Request

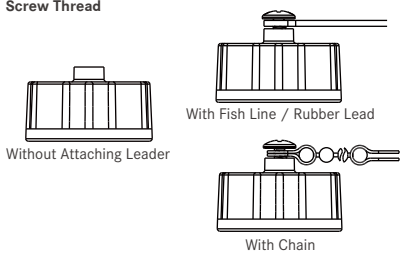
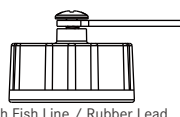
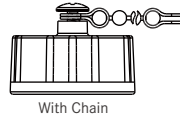
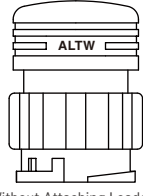
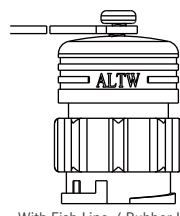
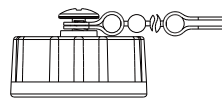


TOL-171801

### └ Middle Size > Dust Cap

<p>■ Customization - Upon Request</p>  <p>* With Rubber Lead</p>			
Size	Mating Pair	Mating Pair (Gender)	P/N
Middle Size	Receptacle	Male	CAP-DACMDPC 1 CAP-DACMDPC 2
	Overmolded with Cable	Female	CAP-DACFDCC 1

### └ Middle Size: 13/16"-28 UNS and 2 Points Lock Bayonet > Waterproof Cap

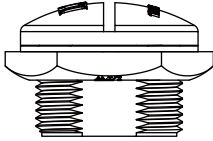
<p>■ Customization - Upon Request</p> <p><b>Screw Thread</b></p>  <p>Without Attaching Leader</p>  <p>With Fish Line / Rubber Lead</p>  <p>With Chain</p> <p><b>2 Points Lock Bayonet</b></p>  <p>Without Attaching Leader</p>  <p>With Fish Line / Rubber Lead</p>  <p>With Chain</p> <p>Product Details:  <b>6</b> More to choose: None(A) / With Chain(B) / With Rubber Lead(C) / With Fish Line(D)  <b>7</b> Choose plastic(1) or metal(2) items</p>				
Size	Mating Pair	Mating Style	Mating Pair (Gender)	P/N
Middle Size 13/16"-28 UNS	Receptacle	Screw Thread	Male	CAP-WACMSP <b>6</b> <b>7</b>
		2 Points Lock Bayonet	Male	CAP-WACMLP <b>6</b> 1
	Female		CAP-WACFLP <b>6</b> 1	
	Overmolded with Cable	Screw Thread	Male	CAP-WACMSMA <b>7</b>
		2 Points Lock Bayonet	Male	CAP-WACMLMA1
	Female		CAP-WACFLMA1	
	Receptacle and Overmolded with Cable	Screw Thread	Male	CAP-WACMSMA <b>7</b>
		2 Points Lock Bayonet	Male	CAP-WACMLMA1
Female	CAP-WACFLMA1			

[Note] Design and specification are subject to change without notice.

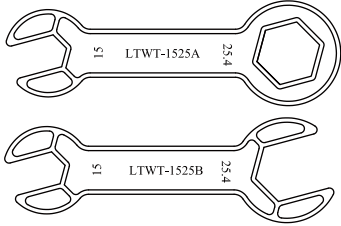
**Middle Size**

Dummy | Wrench

∟ **Middle Size: 13/16"-28 UNS > Dummy**

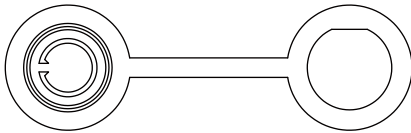
<p>■ Customization - Upon Request</p> 			
Size	Mating Pair	Mating Style	P/N
13/16"-28 UNS	Receptacle (Female)	Screw Thread	CAP-CACFSBA1

∟ **Middle Size > Wrench**

<p>■ Customization - Upon Request</p> 
<p>TOL-152501 TOL-152502</p>

### Large Size > Dust Cap

■ Customization - Upon Request



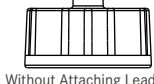
\* With Rubber Lead

Size	Mating Pair	Mating Pair (Gender)	P/N
Large Size	Receptacle	Male	CAP-DADMDPC 1

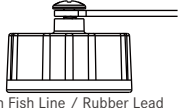
### Large Size: 1"-20 UNEF and 2 Points Lock Bayonet > Waterproof Cap

■ Customization - Upon Request

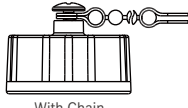
Screw Thread



Without Attaching Leader




With Fish Line / Rubber Lead

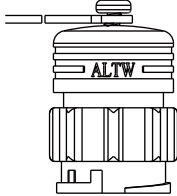


With Chain

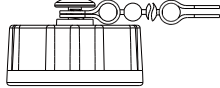
2 Points Lock Bayonet



Without Attaching Leader



With Fish Line / Rubber Lead



With Chain

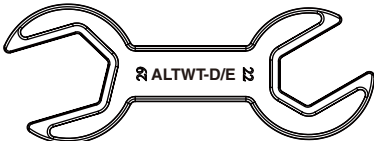
Product Details:

- 6 More to choose: None (A) / With Chain (B) / With Rubber Lead (C) / With Fish Line (D)
- 7 Choose 2-31 Contacts(W/O 18) (1) / 18 Contacts (2) for female mating pair

Size	Mating Pair	Mating Style	Mating Pair (Gender)	P/N
Large Size 1"-20 UNEF	Receptacle	Screw Thread	Male	CAP-WADMSP 6 1
		2 Points Lock Bayonet	Male	CAP-WADMLP 6 1
		Female	CAP-WADFLP 6 7	
	Receptacle and Overmolded with Cable	Screw Thread	Male	CAP-WADMSMA 1
		2 Points Lock Bayonet	Male	CAP-WADMLMA 1
		Female	CAP-WADFLMA 7	

### Large Size > Wrench

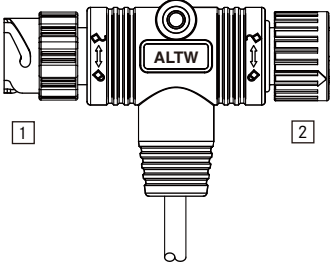
■ Customization - Upon Request



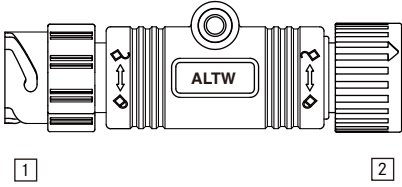
TOL-222901

[Note] Design and specification are subject to change without notice.

Other Size: 3 Points Lock Bayonet > T-Cable (10A+5A)

<p>Customization - Upon Request</p>  <p>* XX: Choose the cable length:01-99 m / PVC UL2464 Cable</p>					
Current Rating	Contacts	Mating Style	Connector 1 (Male Connector / Male Contacts)	Connector 1 (Female Connector / Female Contacts)	Connector 1 (Male Connector / Male Contacts)
			Connector 2 (Male Connector / Male Contacts)	Connector 2 (Female Connector / Female Contacts)	Connector 2 (Female Connector / Female Contacts)
5A	08	3 Points Lock Bayonet	GA-080800-MM0-TTAXX*	GA-080800-FF0-TTAXX*	GA-080800-MF0-TTAXX*


Other Size: 3 Points Lock Bayonet > I-Adaptor (10A+5A)

<p>Customization - Upon Request</p> 					
Current Rating	Contacts	Mating Style	Connector 1 (Male Connector / Male Contacts)	Connector 1 (Female Connector / Female Contacts)	Connector 1 (Female Connector / Female Contacts)
			Connector 2 (Male Connector / Male Contacts)	Connector 2 (Female Connector / Female Contacts)	Connector 1 (Male Connector / Male Contacts)
5A	08	3 Points Lock Bayonet	GA-000808-0MM-IT001	GA-000808-OFF-IT001	GA-000808-0FM-IT001



Other Size > Dust Cap

■ Customization - Upon Request

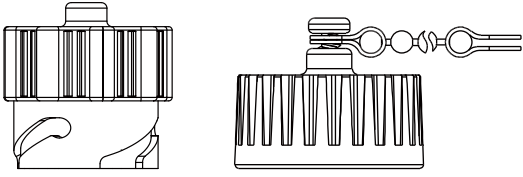


\* Mix Size  
\* With Rubber Lead

Size	Mating Pair	Mating Pair (Gender)	P/N
Mix Size 12-5A	Receptacle	Male	CAP-DPLMDPC1

Other Size: 3 Points Lock Bayonet > Waterproof Cap

■ Customization - Upon Request



\* Mix Size      With Chain

Product Details:  
 ⑥ Choose the lead: None (A) / With Chain (B) / With Rubber Lead (C) / With Fish Line (D)

Size	Mating Pair	Mating Style	Mating Pair (Gender)	P/N
Mix Size (Between Standard & Middle Size)	Receptacle	3 Points Lock Bayonet	Male	CAP-WEBMTP ⑥ 1
			Female	CAP-WEBFTP ⑥ 1
	Receptacle and Overmolded with Cable	3 Points Lock Bayonet	Male	CAP-WEBMTMA1
			Female	CAP-WEBFTMA1

【Note】 Design and specification are subject to change without notice.

**Amphenol LTW Technology Co., Ltd.**

5F-3, No.51, Sec.4, Zhongyang Rd., Tucheng Dist., New Taipei City 236, Taiwan  
Telephone: +886-2-77416888 Fax: +886-2-77416999  
[www.amphenolltw.com](http://www.amphenolltw.com)

**Kunshan Factory**

No. 62, DaTong Road, Development Zone, Kunshan City, JiangSu Province, 215333 China  
Telephone: +86-512-5761-0501  
Fax: : +86-512-5761-0515

**For further information, please contact :**

Sales & Marketing Department | Email : [sales@ltw-tech.com](mailto:sales@ltw-tech.com)