



## CATALOGUE

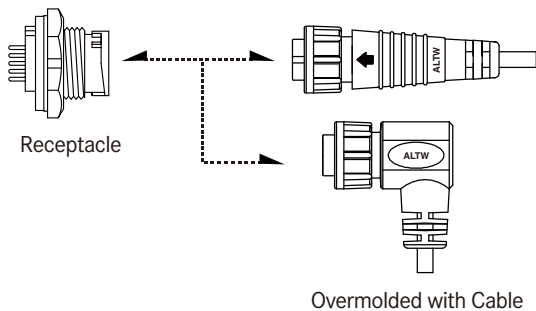
# Circular Connector



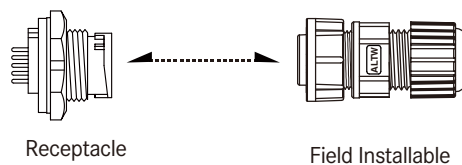


## Range Overview

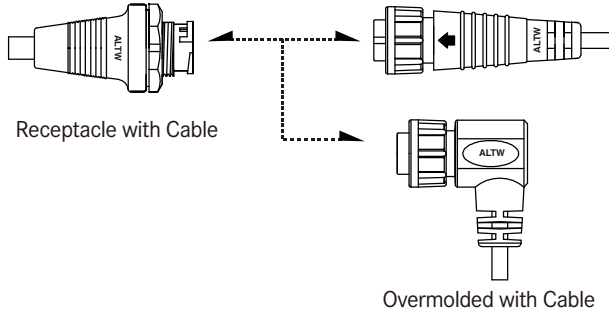
### ∟ Receptacle To Overmolded with Cable



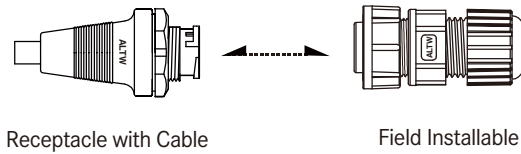
### ∟ Receptacle To Field Installable



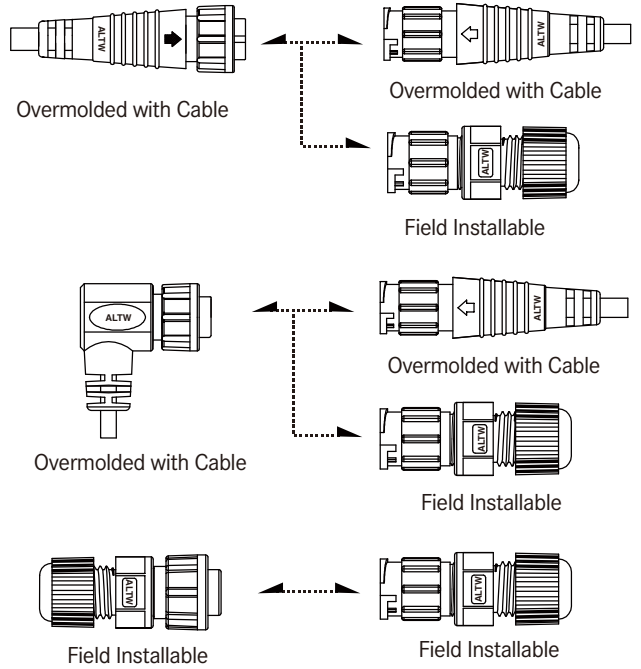
Receptacle with Cable to Overmolded with Cable



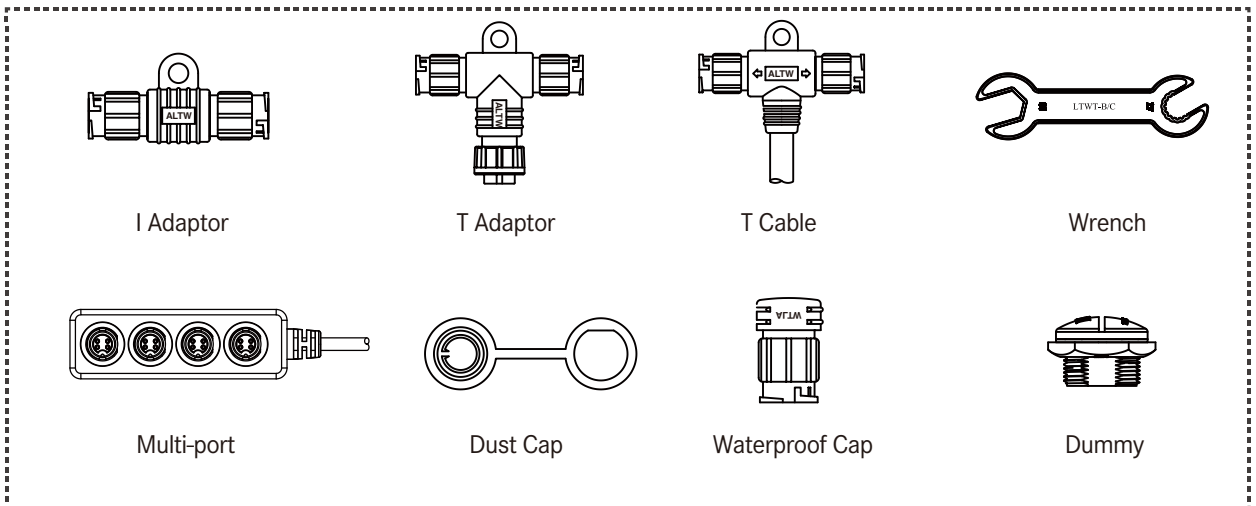
Receptacle with Cable to Field Installable



In-Line



Accessories



# Specification

|                                     |   |
|-------------------------------------|---|
| <b>Identifications</b>              | A Size (Mini), B Size (Standard), C Size (Middle),<br>D Size (Large), E Size (Macro)  |
| <b>Description</b>                  | Receptacle<br>Receptacle with cable<br>Overmolded with Cable<br>Field Installable   |
| <b>Mating Style</b>                 | 2 Points Lock Bayonet, 3 Points Lock Bayonet, Screw Thread,<br>Push Lock  |
| <b>Current Rating / Data</b>        | 2A, 5A, 10A, 20A, 5A+2A, 10A+2A, 10A+5A, 20A+2A, 20A+5A   |
| <b>Material</b>                     | Connector Body (Housing) : Nylon+GF, UL Recognized<br>Contacts: Copper Alloy, Gold Plated   |
| <b>Waterproof Rating</b>            | IP66~IP68   |
| <b>Temperature Range</b>            | Receptacle: -40°C~105°C<br>Receptacle with cable: -20°C~80°C<br>Overmolded with Cable: -20°C~80°C<br>Field installable: -40 °C~105 °C   |
| <b>Contact Resistance</b>           | ≤ 10 mΩ   |
| <b>Insulation Resistance</b>        | ≥ 100 MΩ at DC500V  |
| <b>Durability</b>                   | 1000 cycles   |
| <b>Dielectric Withstand Voltage</b> | ≥ AC1000V / 1 minute  |
| <b>More to know</b>                 | Salt Spray Corrosion Test: 48H<br>Standard Cable Length: 01~99M<br>Screw Thread Size:<br>- A Size: 7/16"-28 UNS<br>- B Size: 5/8"-27 UNS<br>- C Size: 13/16"-28 UNS<br>- D Size: 1"-20 UNEF<br>- E Size: 1 3/16"-20 UNS |

【Note】 Design and specification are subject to change without notice.

# Ordering Information

1 - 2 3 4 5 6 - 7 8 9 10

## Specification / Current Rating

|                                      |                          |  |
|--------------------------------------|--------------------------|--|
| <u>&gt; A Size (Mini)</u>            | <u>≥ C Size (Middle)</u> | <u>≥ D Size (Large), Metal</u>                     |
| (AU) 2A                              | (CU) 2A                  | (DSD) 5A   |
| (AD) 5A                              | (CD) 5A                  |  |
|                                      | (CB) 10A                 | <u>&gt; E Size (Macro)</u>                         |
| <u>&gt; A Size (Mini), Metal</u>     | (CC) 20A                 | (ED) 5A  |
| (ASU) 2A                             | (CDU) 5A+2A              |  |
| (ASD) 5A                             | (CBU) 10A+2A             | <u>≥Others</u>                                     |
|                                      | (CBD) 10A+5A             | (GBD) 10A+5A (Between Standard Size & Middle Size) |
| <u>&gt; B Size (Standard)</u>        | (CGU) 16A+2A*            | (MAB) 10A (Equivalent to AMP)                      |
| (BU) 2A                              | <u>≥ D Size (Large)</u>  | (PLD) 5A (Size 12)                                 |
| (BD) 5A                              | (DU) 2A                  |  |
| (BB) 10A                             | (DD) 5A                  |  |
| (BDU) 5A+2A                          | (DC) 20A                 |  |
| (BBD) 10A+5A                         | (DCU) 20A+2A             |  |
|                                      | (DCD) 20A+5A             |  |
| <u>&gt; B Size (Standard), Metal</u> | (DCB) 20A+10A*           |  |
| (BSU) 2A                             |                          |  |
| (BSD) 5A                             |                          |  |
| (BSB) 10A                            |                          |  |

\* Coming soon

## Number of Contacts

02, 03,....

EX. (02) = 2 Contacts

## Connector Body (Style)

|                            |                                       |                                   |
|----------------------------|---------------------------------------|-----------------------------------|
| <u>&gt; For Receptacle</u> | <u>&gt; For Overmolded with Cable</u> | <u>&gt; For Field installable</u> |
| (P) Front Fastened         | (A) With Strain Relief                | (B) Without Strain Relief         |
| (R) Rear Fastened          | (B) Without Strain Relief             |                                   |

## Connector (Housing) Gender

(M) Male Connector (F) Female Connector

## Contact Gender

(M) Male (D) Female (Power) + Male (Signal)  
(F) Female (E) Male (Power) + Female (Signal)

## Assemble Style

|                            |                                       |
|----------------------------|---------------------------------------|
| <u>&gt; For Receptacle</u> | <u>&gt; For Overmolded with Cable</u> |
| (S) Solder Type            | (M) Overmolded with Cable             |
| (B) Screw in Type          | <u>&gt; For Field Installable</u>     |
| (P) 180° PCB Type          | (A) Field installable (Solder)        |
| (R) 90° PCB Type           | (B) Screw in Type                     |

## Mating Style

(L) 2 Points Lock Bayonet (T) 3 Points Lock Bayonet  
(S) Screw Thread (Q) Push Lock

## Backshell

|                            |                                       |                                   |
|----------------------------|---------------------------------------|-----------------------------------|
| <u>&gt; For Receptacle</u> | <u>&gt; For Overmolded with Cable</u> | <u>&gt; For Field Installable</u> |
| (C) Circular               | (L) Straight                          | (L) Straight                      |
| (S) Square                 | (R) Right Angle                       |                                   |

## Waterproof Rating

(6) IP 66  
(7) IP 67  
(8) IP 68

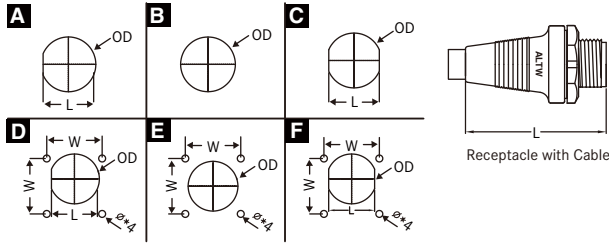
## More Information

|                                    |                                       |
|------------------------------------|---------------------------------------|
| <u>&gt; For Receptacle</u>         | <u>&gt; For Overmolded with Cable</u> |
| (001), (002),.....                 | (□)+(■) : Cable Type + Cable Length   |
| Without Cable : Different Versions | EX. (A01) = UL2464 Cable + 1M         |
|                                    | (□) : Cable Type (■) : Cable Length   |
|                                    | (A) UL2464 Cable From 1M to 99M       |
|                                    | (B) UL2586 Cable EX. (01) = 1M        |
|                                    | (C) Power Cable(TC-ER)                |

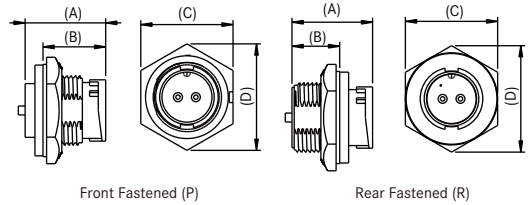
# Physical Dimension

## Receptacle

Panel Cut-Out



## Connector Dimension



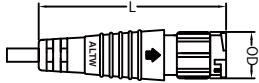
| Current Rating |             | Dimension    |        | Type        | L / W | OD   | φ | L<br>(Connector Body) |   |
|----------------|-------------|--------------|--------|-------------|-------|------|---|-----------------------|---|
| Size           | Shield      | Conn. Gender | Male   |             |       |      |   |                       |   |
| Mini Size      | -           | 2A(AU)       | A      | 10.4        | 10.9  | -    | - | 40.5                  |   |
|                | -           | 2A(ASU)      | D      | 10.4 / 12.7 | 10.9  | 3.05 | - | -                     |   |
|                | Shield      | 2A(ASU)      | D      | 10.4 / 12.7 | 10.9  | 3.05 | - | -                     |   |
|                | -           | 5A(AD)       | A      | 10.4        | 10.9  | -    | - | 40.5                  |   |
|                | -           | 5A(AAD)      | A      | 10.4        | 10.9  | -    | - | -                     |   |
|                | Shield      | 5A(ASD)      | D      | 10.4 / 12.7 | 10.9  | 3.05 | - | -                     |   |
| Standard Size  | -           | 2A(BU)       | A      | 14.8        | 15.6  | -    | - | 42.6                  |   |
|                | Shield      | 2A(BSU)      | B      | -           | 15.6  | -    | - | -                     |   |
|                |             |              | C      | 14.0        | 16.0  | -    | - | -                     |   |
|                | -           | 5A(BD)       | A      | 14.8        | 15.6  | -    | - | 42.6                  |   |
|                | -           | 5A(ABD)      | A      | 14.8        | 15.6  | -    | - | -                     |   |
|                | Shield      | 5A(BSD)      | B      | -           | 15.6  | -    | - | -                     |   |
|                |             |              | E      | 16.0        | 15.6  | 3.1  | - | -                     |   |
|                |             |              | A      | 14.8        | 15.6  | -    | - | 42.6                  |   |
|                | -           | 10A(BB)      | A      | 14.8        | 15.6  | -    | - | 42.6                  |   |
|                | -           | 10A(ABB)     | A      | 14.8        | 15.6  | -    | - | -                     |   |
|                | Shield      | 10A(BSB)     | C      | 14.1        | 15.6  | -    | - | -                     |   |
|                | -           | 10A+5A(BBD)  | A      | 14.8        | 15.6  | -    | - | 42.6                  |   |
| Middle Size    | -           | 2A(CU)       | A      | 19.4        | 20.8  | -    | - | -                     |   |
|                | -           | 5A(CD)       | A      | 19.4        | 20.8  | -    | - | 47.0                  |   |
|                | -           | 5A(ACD)      | A      | 19.4        | 20.8  | -    | - | -                     |   |
|                | -           | 5A+2A(CDU)   | A      | 19.4        | 20.8  | -    | - | -                     |   |
|                | -           | 10A(CB)      | A      | 19.4        | 20.8  | -    | - | 47.0                  |   |
|                | -           | 10A(ACB)     | A      | 19.4        | 20.8  | -    | - | -                     |   |
|                | -           | 10A+2A(CBU)  | A      | 19.4        | 20.8  | -    | - | -                     |   |
|                | -           | 10A+5A(CBD)  | A      | 19.4        | 20.8  | -    | - | -                     |   |
|                | -           | 20A(ACC)     | A      | 19.4        | 20.8  | -    | - | -                     |   |
|                | -           | 20A(CC)      | A      | 19.4        | 20.8  | -    | - | 47.0                  |   |
|                | Large Size  | -            | 2A(DU) | A           | 23.6  | 25.6 | - | -                     | - |
|                |             | -            | 5A(DD) | A           | 23.6  | 25.6 | - | -                     | - |
| -              |             | 5A(DD)       | D      | 23.6 / 24.4 | 25.6  | 3.1  | - | -                     |   |
| -              |             | 5A(ADD)      | A      | 23.6        | 25.6  | -    | - | -                     |   |
| -              |             | 5A(ADD)      | D      | 23.6 / 24.4 | 25.6  | 3.1  | - | -                     |   |
| Shield         |             | 5A(DSD)      | E      | 24.5        | 24.8  | 2.7  | - | -                     |   |
| -              |             | 20A(DC)      | A      | 23.6        | 25.6  | -    | - | -                     |   |
| -              |             | 20A(DC)      | D      | 23.6 / 24.4 | 25.6  | 3.1  | - | -                     |   |
| -              |             | 20A(ADC)     | A      | 23.6        | 25.6  | -    | - | -                     |   |
| -              |             | 20A(ADC)     | D      | 23.6 / 24.4 | 25.6  | 3.1  | - | -                     |   |
| -              | 20A+2A(DCU) | A            | 23.6   | 25.6        | -     | -    | - |                       |   |
| -              | 20A+5A(DCD) | A            | 23.6   | 25.6        | -     | -    | - |                       |   |
| Macro Size     | -           | 5A(ED)       | D      | 29.0 / 30.1 | 30.1  | 3.5  | - | -                     |   |
| Others         | -           | 10+5A(GBD)   | -      | -           | -     | -    | - | -                     |   |
|                | -           | 10A(MAB)     | -      | -           | -     | -    | - | -                     |   |
|                | -           | 5A(PLD)      | C      | 11.3        | 12.8  | -    | - | -                     |   |

| A               | B                | C               | D               | Panel Thickness Max |               |
|-----------------|------------------|-----------------|-----------------|---------------------|---------------|
|                 |                  |                 |                 | Lock Type           | Screw Type    |
| P: 18.4/R: 18.0 | P: 14.0/R: 10.8  | 15.7            | 18.1            | P: 3.5/R: 5.0       | P: 5.0/R: 5.0 |
| 18.6            | 14.0             | 15.7            | 18.1            | P: 3.5              | -             |
| P: 18.4/R: 18.0 | P: 14.0/R: 10.8  | 15.7            | 18.1            | P: 3.5/R: 5.0       | P: 5.0/R: 5.0 |
| P: 17.5/R: 17.5 | P: 14.0/R: 9.5   | 15.7            | 18.1            | P: 3.5/R: 4.5       | P: 4.5/R: 4.5 |
| P: 17.5         | 14.0             | 15.7            | 18.1            | P: 3.5              | P: 4.5        |
| 18.6            | 14.0             | 15.7            | 18.1            | P: 3.5              | -             |
| P: 18.0/R: 18.0 | P: 14.0/R: 10.65 | 20.6            | 23.5            | P: 4.5/R: 5.0       | P: 4.0/R: 5.0 |
| P: 18.8/R: 19.8 | P: 16.3/R: 11.3  | 22.0            | 25.4            | -                   | P: 5.0/R: 7.0 |
| P: 18.0/R: 18.0 | P: 14.0/R: 10.65 | 20.6            | 25.4            | P: 4.5/R: 5.0       | P: 4.0/R: 5.0 |
| P: 17.5/R: 17.5 | P: 14.0/R: 10.2  | 20.6            | 23.8            | P: 4.0/R: 3.5       | P: 4.5/R: -   |
| P: 18.0/R: 19.8 | P: 14.0/R: 11.3  | P: 21.0/R: 22.0 | P: 23.9/R: 25.4 | -                   | P: 4.4/R: 7.0 |
| P: 18.0/R: 18.0 | P: 14.0/R: 10.65 | 20.6            | 23.5            | P: 4.5/R: 5.0       | P: 4.0/R: 5.0 |
| P: 18.0/R: 18.0 | P: 14/R: 10.65   | 20.6            | 23.5            | P: 4.5/R: 5.0       | P: 4.0/R: 5.0 |
| P: 19.5/R: 19.5 | P: 14.0/R: 10.2  | 20.6            | 23.8            | P: 4.0/R: 3.5       | P: 4.5/R: -   |
| 19.8            | 11.3             | 22.0            | 25.4            | -                   | R: 7.0        |
| P: 18.0/R: 18.0 | P: 14.0/R: 10.65 | 20.6            | 23.5            | P: 4.5/R: 5.0       | P: 4.0/R: 5.0 |
| 17.0            | 14.0             | 25.4            | 29.3            | P: 4.0              | P: 3.0        |
| P: 17.0/R: 18.0 | P: 14.0/R: 10.0  | 25.4            | 29.3            | P: 4.0/R: 4.0       | P: 3.0/R: 4.0 |
| P: 18.0/R: 18.0 | P: 15.0/R: 10.0  | 25.4            | 29.3            | P: 4.0/R: 4.0       | P: 3.5/R: -   |
| 18.0            | 14.0             | 25.4            | 29.3            | P: 4.0              | P: 3.0        |
| P: 17.0/R: 18.0 | P: 14.0/R: 10.0  | 25.4            | 29.3            | P: 4.0/R: 4.0       | P: 3.0/R: 4.0 |
| P: 18.8/R: 18.8 | P: 15.0/R: 10.8  | 25.4            | 29.3            | P: 4.0/R: 4.0       | P: 3.5/R: -   |
| 18.0            | 15.0             | 25.4            | 29.3            | P: 4.0              | -             |
| 17.0            | 14.0             | 25.4            | 29.3            | P: 4.0              | P: 3.0        |
| P: 19.0/R: 19.0 | P: 15.0/R: 11.0  | 25.4            | 29.3            | P: 4.0/R: 4.0       | P: 3.5/R: -   |
| P: 17.0/R: 18.0 | P: 14.0/R: 10.0  | 25.4            | 29.3            | P: 4.0/R: 4.0       | P: 3.0/R: 4.0 |
| 18.0            | 14.8             | 28.5            | 33.0            | P: 4.0              | -             |
| P: 18.0/R: 18.0 | P: 14.9/R: 10.3  | 28.5            | 33.0            | P: 4.0/R: 4.0       | P: 4.0/R: 4.0 |
| P: 18.0/R: 18.0 | P: 14.9/R: 9.8   | 28.5            | 32.9            | P: 3.0/R: 3.0       | P: 3.0/R: 3.0 |
| 18.0            | 14.9             | 28.5            | 32.9            | 3.0                 | 3.0           |
| 17.9            | 14.6             | 29.0            | 33.5            | -                   | P: 5.0        |
| P: 18.0/R: 18.0 | P: 14.9/R: 10.3  | 28.5            | 33.0            | P: 4.0/R: 4.0       | P: 4.0/R: 4.0 |
| P: 19.0/R: 19.0 | P: 14.9/R: 10.8  | 28.5            | 32.9            | P: 3.0/R: 3.0       | P: 3.0/R: 3.0 |
| 19.0            | 14.9             | 28.5            | 32.9            | 3.0                 | 3.0           |
| 18.8            | 14.8             | 28.5            | 33.0            | P: 4.0              | -             |
| 18.8            | 14.8             | 28.5            | 33.0            | P: 4.0              | -             |
| 17.6            | 14.9             | 34.9            | 4.0             | P: 3.5              | -             |
| -               | -                | -               | -               | -                   | -             |
| -               | -                | -               | -               | -                   | -             |
| 15.9            | 13.4             | 15.8            | 17.3            | P: 3.0              | -             |

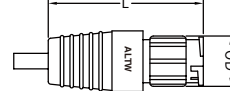
[Note] Design and specification are subject to change without notice.

# Physical Dimension

## Overmolded with Cable



with Strain Relief / Straight



without Strain Relief / Straight

| Current Rating |        | Dimension    |             | Type    | L    |               | OD            |   |      |
|----------------|--------|--------------|-------------|---------|------|---------------|---------------|---|------|
| Size           | Shield | Conn. Gender |             | Female  | Male | Female        | Male          |   |      |
| Mini Size      | -      | 2A(AU)       | A           | 43.5    | 44.5 | 15.2          | 13.5          | - |      |
|                | -      |              | D           |         |      |               |               |   |      |
|                | -      | Shield       | 2A(ASU)     | D       | -    | -             | -             |   | -    |
|                | -      | -            | 5A(AD)      | A       | 43.5 | 44.5          | 15.2          |   | 13.5 |
|                | -      | -            | 5A(AAD)     | A       | -    | -             | -             |   | -    |
|                | -      | -            | 5A(AAD)     | D       | -    | -             | -             |   | -    |
| -              | Shield | 5A(ASD)      | D           | -       | -    | -             | -             |   |      |
| Standard Size  | -      | 2A(BU)       | A           | 55.5    | 59.0 | S-20.0/L-18.0 | 14.6          | - |      |
|                | -      |              | Shield      | 2A(BSU) | B    | -             | -             |   | -    |
|                | -      |              | -           | C       | -    | -             | -             |   | -    |
|                | -      | -            | 5A(BD)      | A       | 55.5 | 59.0          | S-20.0/L-18.0 |   | 14.6 |
|                | -      | -            | 5A(ABD)     | A       | -    | -             | -             |   | -    |
|                | -      | Shield       | 5A(BSD)     | B       | -    | -             | -             |   | -    |
|                | -      | -            | -           | E       | -    | -             | -             |   | -    |
|                | -      | -            | 5A+2A(BDU)  | A       | 55.5 | -             | S-20.0/L-18.0 |   | -    |
|                | -      | -            | 10A(BB)     | A       | 55.5 | 59.0          | S-20.0/L-18.0 |   | 14.6 |
|                | -      | -            | 10A(ABB)    | A       | -    | -             | -             |   | -    |
|                | -      | Shield       | 10A(BSB)    | C       | -    | -             | -             |   | -    |
|                | -      | -            | 10A+5A(BBD) | A       | 55.5 | 59.0          | S-20.0/L-18.0 |   | 14.6 |
| Middle Size    | -      | 2A(CU)       | A           | 60.0    | -    | L-22.2/S-25.4 | -             | - |      |
|                | -      |              | -           | A       | 60.0 | 60.0          | L-22.2/S-25.4 |   | 20.0 |
|                | -      | -            | 5A(ACD)     | A       | 60.0 | -             | L-22.2/S-25.4 |   | -    |
|                | -      | -            | 5A+2A(CDU)  | A       | 60.5 | -             | L-22.2/S-25.4 |   | -    |
|                | -      | -            | 10A(CB)     | A       | 60.0 | -             | L-22.2/S-25.4 |   | -    |
|                | -      | -            | 10A(ACB)    | A       | 60.0 | -             | L-22.2/S-25.4 |   | -    |
|                | -      | -            | 10A+2A(CBU) | A       | 60.3 | -             | 23.0          |   | -    |
|                | -      | -            | 10A+5A(CBD) | A       | 60.0 | -             | L-22.2/S-25.4 |   | -    |
|                | -      | -            | 20A(ACC)    | A       | 60.0 | -             | L-22.2/S-25.4 |   | -    |
|                | -      | -            | 20A(CC)     | A       | 60.0 | -             | L-22.2/S-25.4 |   | -    |
| Large Size     | -      | 2A(DU)       | A           | 59.5    | -    | L-22.2/S-25.4 | -             | - |      |
|                | -      |              | -           | A       | 59.5 | 59.5          | S-32.0/L-28.5 |   | 22.5 |
|                | -      | -            | 5A(DD)      | D       | 59.5 | 59.5          | S-32.0/L-28.5 |   | 22.5 |
|                | -      | -            | 5A(ADD)     | A       | 58.5 | -             | S-32.0/L-28.5 |   | -    |
|                | -      | -            | 5A(ADD)     | D       | -    | -             | -             |   | -    |
|                | -      | Shield       | 5A(DSD)     | E       | -    | -             | -             |   | -    |
|                | -      | -            | 20A(DC)     | A       | 59.5 | -             | S-32.0/L-28.5 |   | -    |
|                | -      | -            | 20A(DC)     | D       |      |               |               |   |      |
|                | -      | -            | 20A(ADC)    | A       | 59.5 | -             | S-32.0/L-28.5 |   | -    |
|                | -      | -            | 20A(ADC)    | D       | -    | -             | -             |   | -    |
|                | -      | -            | 20A+2A(DCU) | A       | 63.5 | 69.7          | 28.5          |   | 22.5 |
|                | -      | -            | 20A+5A(DCD) | A       | 71.4 | 71.4          | 28.5          |   | 22.5 |
| Macro Size     | -      | 5A(ED)       | D           | 70.0    | -    | 33.3          | -             |   |      |
| Others         | -      | 10+5A(GBD)   | -           | 68.7    | 73.5 | 26.6          | 25.0          |   |      |
|                | -      | 10A(MAB)     | -           | 61.5    | 61.5 | 23.0          | 19.4          |   |      |
|                | -      | 5A(PLD)      | C           | -       | -    | -             | -             |   |      |

| L      |      | OD              |      |
|--------|------|-----------------|------|
| Female | Male | Female          | Male |
| 34.0   | 35.3 | 15.2            | 13.5 |
| -      | -    | -               | -    |
| 34.0   | 35.3 | 15.2            | 13.5 |
| 34.0   | -    | 15.2            | -    |
| -      | -    | -               | -    |
| -      | -    | -               | -    |
| 43.0   | 45.0 | S-20.0/L-18.0   | 14.6 |
| 37.8   | -    | 19.0            | -    |
| 43.0   | 45.0 | S-20.0/L-18.0   | 14.6 |
| 43.0   | -    | S-20.0/L-18.0   | -    |
| 37.8   | -    | 19.0            | -    |
| 43.0   | -    | S-20.0/L-18.0   | -    |
| 43.0   | 45.0 | S-20.0/L-18.0   | 14.6 |
| 43.0   | -    | S-20.0/L-18.0   | -    |
| -      | -    | -               | -    |
| 43.0   | 45.0 | S-20.0/L-18.0   | 14.6 |
| 41.8   | -    | L-22.2/S-25.4   | -    |
| 41.8   | 41.8 | L-22.2/S-25.4   | 20.0 |
| -      | -    | -               | -    |
| 41.8   | -    | L-22.2/S-25.4   | -    |
| 41.8   | -    | L-22.2/S-25.4   | -    |
| -      | -    | -               | -    |
| -      | -    | -               | -    |
| 41.8   | -    | L-22.2/S-25.4   | -    |
| -      | -    | -               | -    |
| 41.8   | -    | L-22.2/S-25.4   | -    |
| 52.0   | -    | S-32.0/L-28.5   | -    |
| 52.0   | 52.0 | S-32.0/L-28.5   | 22.5 |
| -      | -    | -               | -    |
| 49.3   | -    | 30.0            | -    |
| 52.0   | -    | S32.0<br>L-28.5 | -    |
| -      | -    | -               | -    |
| -      | -    | -               | -    |
| -      | -    | -               | -    |
| -      | -    | -               | -    |
| 60.2   | 65.0 | 26.6            | 25.0 |
| 53.0   | 53.0 | 23.0            | 19.4 |
| -      | -    | -               | -    |





# Contact Configuration

|        | Mini Size (A) |          |           |          |          |          | Standard Size (B) |          |           |           |          |          |           |           |
|--------|---------------|----------|-----------|----------|----------|----------|-------------------|----------|-----------|-----------|----------|----------|-----------|-----------|
|        | 2A(AU)(ASU)   |          | 5A(AD)    |          | 5A(ASD)  |          | 2A(BU)(BSU)       |          | 5A(BD)    |           | 5A(BSD)  |          | 10A(BB)   |           |
| 4 5    | MM or FF      | MF or FM | MM or FF  | MF or FM | MM or FF | MF or FM | MM or FF          | MF or FM | MM or FF  | MF or FM  | MM or FF | MF or FM | MM or FF  | MF or FM  |
| 2 Pin  |               |          |           |          |          |          |                   |          |           |           |          |          |           |           |
|        |               |          | R   C   F |          | R        |          |                   |          | R   C   F | R   C   F |          |          | R   C   F | R   C   F |
| 3 Pin  |               |          |           |          |          |          |                   |          |           |           |          |          |           |           |
|        |               |          | R   C   F |          |          |          |                   |          | R   C   F | R   C   F |          |          | R   C   F | R   C   F |
| 4 Pin  |               |          |           |          |          |          |                   |          |           |           |          |          |           |           |
|        | R   C   F     |          |           |          |          |          |                   |          | R   C   F | R   C   F | R   C    |          | R   C   F |           |
| 5 Pin  |               |          |           |          |          |          |                   |          |           |           |          |          |           |           |
|        | R   C   F     |          |           |          |          |          |                   |          | R   C   F | R   C   F | R   C    |          |           |           |
| 6 Pin  |               |          |           |          |          |          |                   |          |           |           |          |          |           |           |
|        | R   C   F     |          |           |          |          |          |                   |          | R   C   F | R   C   F | R   C    |          |           |           |
| 7 Pin  |               |          |           |          |          |          |                   |          |           |           |          |          |           |           |
|        |               |          |           |          |          |          |                   |          | R   C   F |           | R   C    |          |           |           |
| 8 Pin  |               |          |           |          |          |          |                   |          |           |           |          |          |           |           |
|        |               |          |           |          |          |          |                   |          | R   C   F |           | R   C    |          |           |           |
| 9 Pin  |               |          |           |          |          |          |                   |          |           |           |          |          |           |           |
| 10 Pin |               |          |           |          |          |          |                   |          |           |           |          |          |           |           |
|        |               |          |           |          |          |          | R   C   F         |          |           |           |          |          |           |           |
| 12 Pin |               |          |           |          |          |          |                   |          |           |           |          |          |           |           |
|        |               |          |           |          |          |          | R   C   F         |          |           |           |          |          |           |           |
| 14 Pin |               |          |           |          |          |          |                   |          |           |           |          |          |           |           |
| 18 Pin |               |          |           |          |          |          |                   |          |           |           |          |          |           |           |
| 20 Pin |               |          |           |          |          |          |                   |          |           |           |          |          |           |           |
| 21 Pin |               |          |           |          |          |          |                   |          |           |           |          |          |           |           |
| 22 Pin |               |          |           |          |          |          |                   |          |           |           |          |          |           |           |
| 31 Pin |               |          |           |          |          |          |                   |          |           |           |          |          |           |           |

\* Standard Size Metal (BSU): 10 Contact










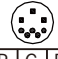





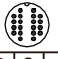

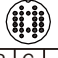


# Circular Connector I Contact Configuration

Middle Size (2A | 5A | 10A | 20A | 5A+2A | 10A+5A | 10A+2A)

Large Size (2A | 5A | 20A | 20A+2A | 20A+5A)

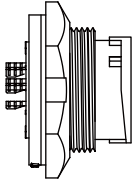
## Contact Configuration

|        | Middle Size (C)   |   |   |   |            |          |   |   |   |   | Large Size (D)   |   |   |          |
|--------|---|---|---|---|------------|----------|---|---|---|---|--|---|---|----------|
|        | 10A(CB)   |   | 20A(CC)   |   | 5A+2A(CDU) |          | 10A+5A(CBD)   |   | 10A+2A(CBU)   |   | 2A(DU)   |   | 5A(DD)(DSD)   |          |
| 4 5    | MM or FF  | MF or FM  | MM or FF  | MF or FM  | MM or FF   | MF or FM | MM or FF  | MF or FM  | MM or FF  | MF or FM  | MM or FF   | MF or FM  | MM or FF  | MF or FM |
| 2 Pin  |   |   |   |  |            |          |   |   |   |   |  |   |   |          |
|        |   |   |   | R   C   F   |            |          |   |   |   |   |  |   |   |          |
| 3 Pin  |   |   |  |   |            |          |   |   |   |   |  |   |   |          |
|        |   |   | R   C   F   |   |            |          |   |   |   |   |  |   |   |          |
| 4 Pin  |  |  |   |   |            |          |   |   |   |   |  |   |   |          |
|        | R   C   F   | R   C   F   |   |   |            |          |   |   |   |   |  |   |   |          |
| 5 Pin  |  |  |   |   |            |          |   |   |   |   |  |   |   |          |
|        | R   C   F   | R   C   F   |   |   |            |          |   |   |   |   |  |   |   |          |
| 6 Pin  |  |   |   |   |            |          |   |   |   |   |  |   |   |          |
|        | R   C   F   |   |   |   |            |          |   |   |   |   |  |   |   |          |
| 7 Pin  |   |   |   |   |            |          |   |   |   |   |  |   |   |          |
| 8 Pin  |   |   |   |   |            |          |    |  |  |  |  |   |   |          |
|        |   |   |   |   |            |          | R   C   F   | R   C   F   | R   C   F   | R   C   F   |  |   |   |          |
| 9 Pin  |   |   |   |   |            |          |   |   |   |   |  |   |   |          |
| 10 Pin |   |   |   |   |            |          |   |   |   |   |  |   |   |          |
| 12 Pin |   |   |   |   |            |          |  |   |   |   |  |   |   |          |
|        |   |   |   |   |            |          | R   C   F   |   |   |   |  |   |   |          |
| 14 Pin |   |   |   |   |            |          |  |   |   |   |  |   |   |          |
|        |   |   |   |   |            |          | R   C   F   |   |   |   |  |   |   |          |
| 18 Pin |   |   |   |   |            |          |   |   |   |   |  |  |  |          |
|        |   |   |   |   |            |          |   |   |   |   |  | R   C   F   | R   C   F   |          |
| 20 Pin |   |   |   |   |            |          |   |   |   |   |  |   |   |          |
|        |   |   |   |   |            |          |   |   |   |   | R   C   F  |   |   |          |
| 21 Pin |   |   |   |   |            |          |   |   |   |   |  |   |   |          |
|        |   |   |   |   |            |          |   |   |   |   | R   C   F  |   |   |          |
| 22 Pin |   |   |   |   |            |          |   |   |   |   |  |   |   |          |
|        |   |   |   |   |            |          |   |   |   |   | R   C   F  |   |   |          |
| 31 Pin |   |   |   |   |            |          |   |   |   |   |  |   |   |          |

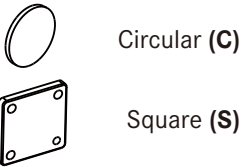


# Product Features

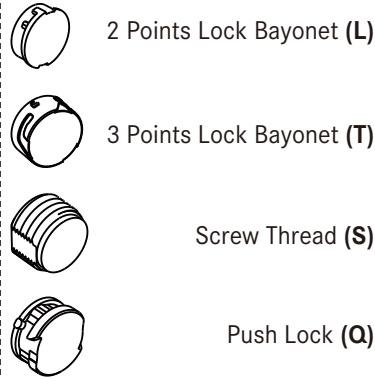
## Receptacle



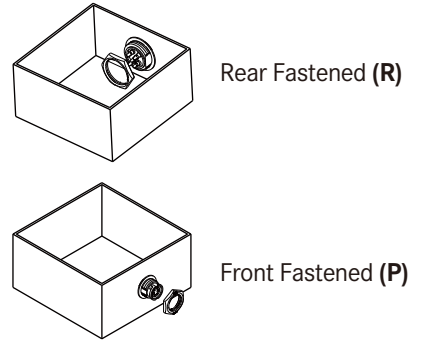
### Flange 8



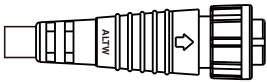
### Mating Style 7



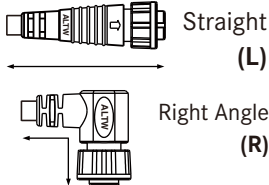
### Connector Body(Style) 3



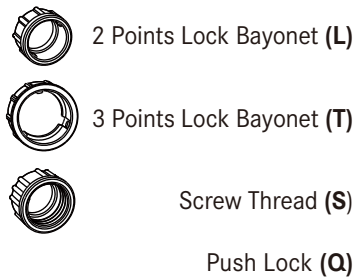
## Overmolded with Cable



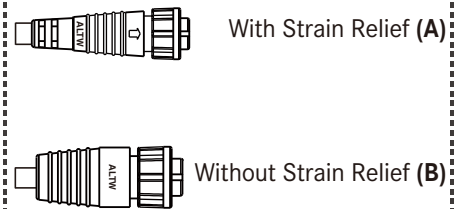
### Backshell 8



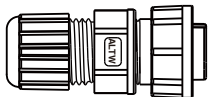
### Mating Style 7



### Connector Body(Style) 3



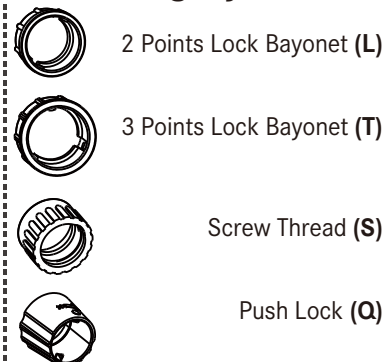
## Field Installable



### Backshell 8



### Mating Style 7

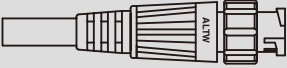
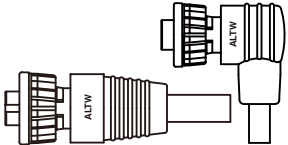
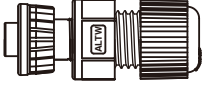


### Connector Body(Style) 3



## Find Our Standard Products

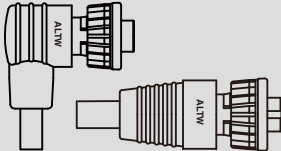
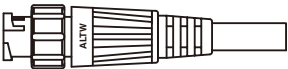
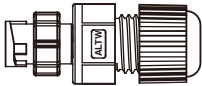
### Mini Size: 2 Points Lock Bayonet > In-Line

|  |                   |   |  |   |
|--|-------------------|---|--|---|
| <ul style="list-style-type: none"> <li>• Male Connector (Housing)</li> <li>• Male Contacts</li> <li>• 2 Points Lock Bayonet</li> </ul> |                   | Overmolded with Cable   | Overmolded with Cable  | Field Installable   |
|  |                   |  |    |  |
| Current Rating (Code)  | Contacts <b>2</b> | Male Connector (M)<br>Male Contacts (M)   | Female Connector (F)<br>Female Contacts (F)  | Female Connector (F)<br>Female Contacts (F)   |
| 2A (AU)  | 04,05,06          | AU- <b>2</b> AMMM-LL6A <sup>XX</sup> *<br>AU- <b>2</b> BMMM-LL7A <sup>XX</sup> *  | AU- <b>2</b> AFFM-LL6A <sup>XX</sup> *<br>AU- <b>2</b> BFFM-LL7A <sup>XX</sup> *<br>AU- <b>2</b> BFFM-LR6A <sup>XX</sup> * | AU- <b>2</b> BFFA-LL7001  |
| 5A (AD)  | 02,03             | AD- <b>2</b> AMMM-LL6A <sup>XX</sup> *<br>AD- <b>2</b> BMMM-LL7A <sup>XX</sup> *  | [A]AD- <b>2</b> BFFM-LL7A <sup>XX</sup> *<br>AD- <b>2</b> BFFM-LR6A <sup>XX</sup> *  | AD- <b>2</b> BFFA-LL7001  |

\* XX: Choose the cable length from 01~99m

\*\* [A] Stamp pin

### Mini Size: 2 Points Lock Bayonet > In-Line

|  |                   |  |  |   |
|--|-------------------|--|--|---|
| <ul style="list-style-type: none"> <li>• Female Connector (Housing)</li> <li>• Female Contacts</li> <li>• 2 Points Lock Bayonet</li> </ul> |                   | Overmolded with Cable  | Overmolded with Cable  | Field Installable   |
|  |                   |   |  |  |
| Current Rating (Code)  | Contacts <b>2</b> | Female Connector (F)<br>Female Contacts (F)  | Male Connector (M)<br>Male Contacts (M)  | Male Connector (M)<br>Male Contacts (M)   |
| 2A (AU)  | 04,05,06          | AU- <b>2</b> AFFM-LL6A <sup>XX</sup> *<br>AU- <b>2</b> BFFM-LL7A <sup>XX</sup> *<br>AU- <b>2</b> BFFM-LR6A <sup>XX</sup> * | AU- <b>2</b> AMMM-LL6A <sup>XX</sup> *<br>AU- <b>2</b> BMMM-LL7A <sup>XX</sup> *     | AU- <b>2</b> BMMA-LL7001  |
| 5A (AD)  | 02,03             | [A]AD- <b>2</b> BFFM-LL7A <sup>XX</sup> *<br>AD- <b>2</b> BFFM-LR6A <sup>XX</sup> *  | AD- <b>2</b> AMMM-LL6A <sup>XX</sup> *<br>AD- <b>2</b> BMMM-LL7A <sup>XX</sup> *     | AD- <b>2</b> BMMA-LL7001  |

\* XX: Choose the cable length from 01~99m

\*\* [A] Stamp pin

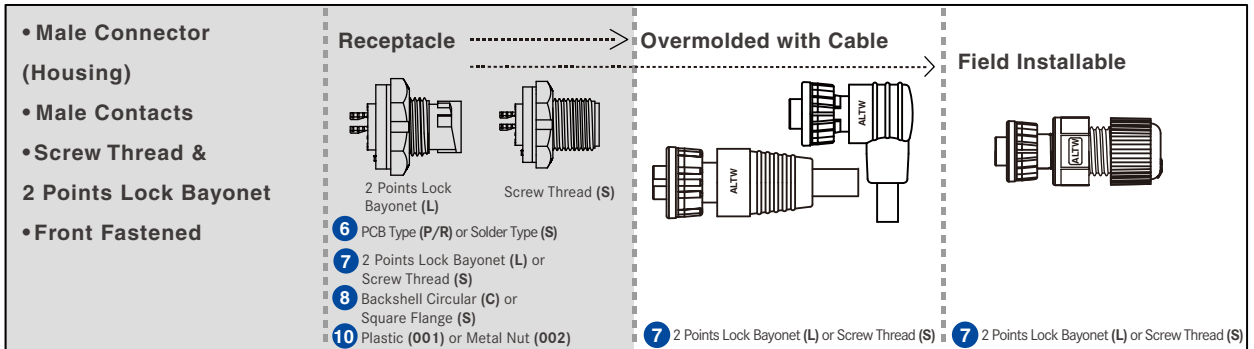
[Note] Design and specification are subject to change without notice.

# Circular Connector | Find Our Standard Products

## Mini Size: Screw Thread and 2 Points Lock Bayonet

Receptacle and Mating Pair | Receptacle with Overmolded Cable and Mating Pair

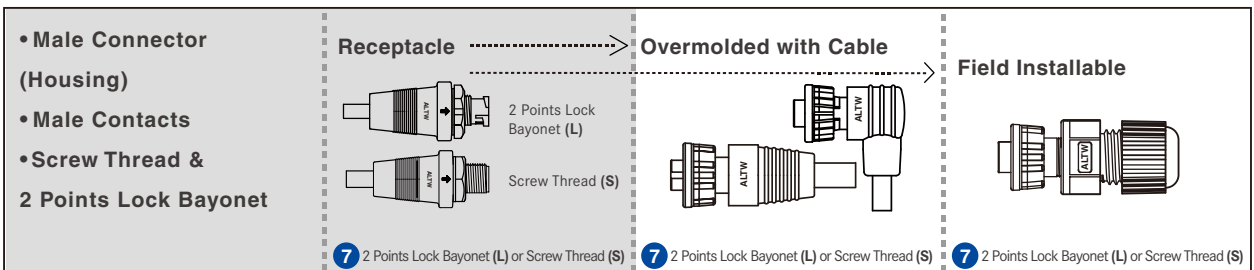
### Mini Size: 7/16"-28 UNS and 2 Points Lock Bayonet > Receptacle and Mating Pair



| Current Rating (Code) | Contacts <b>2</b> | Male Connector (M)<br>Male Contacts (M)   | Female Connector (F)<br>Female Contacts (F)  | Female Connector (F)<br>Female Contacts (F) |
|-----------------------|-------------------|---|--|---|
| 2A (AU)               | 04,05,06          | AU- <b>2</b> PMM <b>6-78</b> 7001<br>AU- <b>2</b> RMMS- <b>7</b> C7001  | AU- <b>2</b> AFFM- <b>7</b> L6AXX*<br>AU- <b>2</b> BFFM- <b>7</b> L7AXX*<br>AU- <b>2</b> BFFM- <b>7</b> R6AXX* | AU- <b>2</b> BFFA- <b>7</b> L7001           |
| 2A (ASU)<br>*Metal    | 04,05,06          | ASU- <b>2</b> PMMS- LS <b>710</b>   | AU- <b>2</b> AFFM-LL6AXX*<br>AU- <b>2</b> BFFM-LL7AXX*<br>AU- <b>2</b> BFFM-LR6AXX*                            | AU- <b>2</b> BFFA-LL7001                    |
| 5A (AD)               | 02,03             | AD- <b>2</b> PMMP- <b>78</b> 7001<br>[A]AD- <b>2</b> PMMS- <b>78</b> 7001<br>[A]DD- <b>2</b> RMMS- <b>7</b> C7001 | [A]AD- <b>2</b> BFFM- <b>7</b> L7AXX*<br>AD- <b>2</b> BFFM- <b>7</b> R6AXX*                                    | AD- <b>2</b> BFFA- <b>7</b> L7001           |
| 5A (ASD)<br>*Metal    | 02,03             | ASD- <b>2</b> PMM <b>6</b> -LS <b>710</b>   | [A]AD- <b>2</b> BFFM-LL7AXX*<br>AD- <b>2</b> BFFM-LR6AXX*  | AD- <b>2</b> BFFA-LL7001                    |

\* XX: Choose the cable length from 01~99m \*\* [A] Stamp pin

### Mini Size: 7/16"-28 UNS and 2 Points Lock Bayonet > Receptacle with Overmolded Cable and Mating Pair

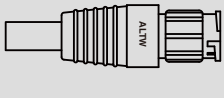
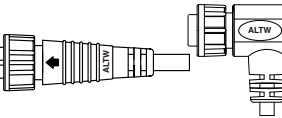
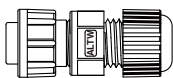


| Current Rating (Code) | Contacts <b>2</b> | Male Connector (M)<br>Male Contacts (M) | Female Connector (F)<br>Female Contacts (F)  | Female Connector (F)<br>Female Contacts (F) |
|-----------------------|-------------------|---|--|---|
| 2A (AU)               | 04,05,06          | AU- <b>2</b> PMMM- <b>7</b> L7AXX*      | AU- <b>2</b> AFFM- <b>7</b> L6AXX*<br>AU- <b>2</b> BFFM- <b>7</b> L7AXX*<br>AU- <b>2</b> BFFM- <b>7</b> R6AXX* | AU- <b>2</b> BFFA- <b>7</b> L7001           |
| 5A (AD)               | 02,03             | AD- <b>2</b> PMMM- <b>7</b> L7AXX*      | [A]AD- <b>2</b> BFFM- <b>7</b> L7AXX*<br>AD- <b>2</b> BFFM- <b>7</b> R6AXX*                                    | AD- <b>2</b> BFFA- <b>7</b> L7001           |

\* XX: Choose the cable length from 01~99m \*\* [A] Stamp pin

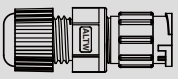
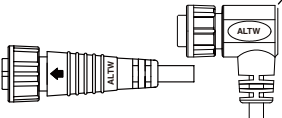
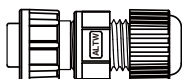


Standard Size: 2 Points Lock Bayonet > In-Line

| <ul style="list-style-type: none"> <li>• Male Connector (Housing)</li> <li>• Male Contacts</li> <li>• 2 Points Lock Bayonet</li> </ul> |                          | Overmolded with Cable  | Overmolded with Cable  | Field Installable  |
|--|--------------------------|---|--|---|
| Current Rating (Code)  | Contacts 2               | Male Connector (M)<br>Male Contacts (M)   | Female Connector (F)<br>Female Contacts (F)  | Female Connector (F)<br>Female Contacts (F)   |
| 2A (BU)  | 10, 12                   | BU-2 AMMM-LL6AXX*<br>BU-2 BMMM-LL7AXX*  | BU-2 AFFM-LL6AXX*<br>BU-2 AFFM-LR7AXX*<br>BU-2 BFFM-LL7AXX*<br>BU-2 BFFM-LR6AXX*                         | BU-2 BFFA-LL7001  |
| 5A (BD)  | 02,03,04,<br>05,06,07,08 | BD-2 AMMM-LL6AXX*<br>BD-2 BMMM-LL7AXX*  | [A]BD-2 BFFM-LL7AXX*<br>BD-2 AFFM-LR7AXX*<br>BD-2 BFFM-LR6AXX*   | BD-2 BFFA-LL7001  |
| 10A (BB)   | 02,03,04                 | BB-2 AMMM-LL6AXX*<br>BB-2 BMMM-LL7AXX*  | [A]BB-2 BFFM-LL7AXX*<br>BB-2 AFFM-LR7AXX*<br>BB-2 BFFM-LR6AXX*   | BB-2 BFFA-LL7001  |

\* XX: Choose the cable length from 01~99m  
 \*\* [A] Stamp pin

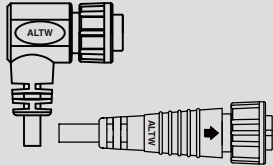
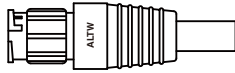
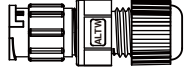
Standard Size: 2 Points Lock Bayonet > In-Line

| <ul style="list-style-type: none"> <li>• Male Connector (Housing)</li> <li>• Male Contacts</li> <li>• 2 Points Lock Bayonet</li> </ul> |                          | Field Installable  | Overmolded with Cable  | Field Installable  |
|--|--------------------------|---|--|---|
| Current Rating (Code)  | Contacts 2               | Male Connector (M)<br>Male Contacts (M)   | Female Connector (F)<br>Female Contacts (F)  | Female Connector (F)<br>Female Contacts (F)   |
| 2A (BU)  | 10, 12                   | BU-2 BMMA-LL7001  | BU-2 AFFM-LL6AXX*<br>BU-2 AFFM-LR7AXX*<br>BU-2 BFFM-LL7AXX*<br>BU-2 BFFM-LR6AXX*                           | BU-2 BFFA-LL7001  |
| 5A (BD)  | 02,03,04,<br>05,06,07,08 | BD-2 BMMA-LL7001  | [A]BD-2 BFFM-LL7AXX*<br>BD-2 AFFM-LR7AXX*<br>BD-2 BFFM-LR6AXX*   | BD-2 BFFA-LL7001  |
| 10A (BB)   | 02,03,04                 | BB-2 BMMA-LL7001  | [A]BB-2 BFFM-LL7AXX*<br>BB-2 AFFM-LR7AXX*<br>BB-2 BFFM-LR6AXX*   | BB-2 BFFA-LL7001  |

\* XX: Choose the cable length from 01~99m  
 \*\* [A] Stamp pin

[Note] Design and specification are subject to change without notice.

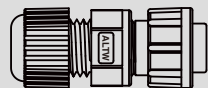

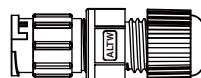
Standard Size: 2 Points Lock Bayonet > In-Line

| <ul style="list-style-type: none"> <li>Female Connector (Housing)</li> <li>Female Contacts</li> <li>2 Points Lock Bayonet</li> </ul> |                          | Overmolded with Cable →                                 | Overmolded with Cable →  | Field Installable  |
|--|--------------------------|--|---|---|
| Current Rating (Code)  | Contacts 2               | Female Connector (F)<br>Female Contacts (F)  | Male Connector (M)<br>Male Contacts (M)   | Male Connector (M)<br>Male Contacts (M)   |
| 2A (BU)  | 10, 12                   | BU- 2 AFFM-LL6A <sup>XX</sup> *<br>BU- 2 AFFM-LR7A <sup>XX</sup> *<br>BU- 2 BFFM-LL7A <sup>XX</sup> *<br>BU- 2 BFFM-LR6A <sup>XX</sup> * | BU- 2 AMMM-LL6A <sup>XX</sup> *<br>BU- 2 BMMM-LL7A <sup>XX</sup> *  | BU- 2 BMMA-LL7001   |
| 5A (BD)  | 02,03,04,<br>05,06,07,08 | [A]BD- 2 BFFM-LL7A <sup>XX</sup> *<br>BD- 2 AFFM-LR7A <sup>XX</sup> *<br>BD- 2 BFFM-LR6A <sup>XX</sup> *                                 | BD- 2 AMMM-LL6A <sup>XX</sup> *<br>BD- 2 BMMM-LL7A <sup>XX</sup> *  | BD- 2 BMMA-LL7001   |
| 10A (BB)   | 02,03,04                 | [A]BB- 2 BFFM-LL7A <sup>XX</sup> *<br>BB- 2 AFFM-LR7A <sup>XX</sup> *<br>BB- 2 BFFM-LR6A <sup>XX</sup> *                                 | BB- 2 AMMM-LL6A <sup>XX</sup> *<br>BB- 2 BMMM-LL7A <sup>XX</sup> *  | BB- 2 BMMA-LL7001   |

\* XX: Choose the cable length from 01~99m

\*\* [A] Stamp pin

Standard Size: 2 Points Lock Bayonet > In-Line

| <ul style="list-style-type: none"> <li>Female Connector (Housing)</li> <li>Female Contacts</li> <li>2 Points Lock Bayonet</li> </ul> |                          | Field Installable →  | Overmolded with Cable →  | Field Installable  |
|--|--------------------------|---|---|---|
| Current Rating (Code)  | Contacts 2               | Female Connector (F)<br>Female Contacts (F)   | Male Connector (M)<br>Male Contacts (M)   | Male Connector (M)<br>Male Contacts (M)   |
| 2A (BU)  | 10, 12                   | BU- 2 BFFA-LL7001   | BU- 2 AMMM-LL6A <sup>XX</sup> *<br>BU- 2 BMMM-LL7A <sup>XX</sup> *  | BU- 2 BMMA-LL7001   |
| 5A (BD)  | 02,03,04,<br>05,06,07,08 | BD- 2 BFFA-LL7001   | BD- 2 AMMM-LL6A <sup>XX</sup> *<br>BD- 2 BMMM-LL7A <sup>XX</sup> *  | BD- 2 BMMA-LL7001   |
| 10A (BB)   | 02,03,04                 | BB- 2 BFFA-LL7001   | BB- 2 AMMM-LL6A <sup>XX</sup> *<br>BB- 2 BMMM-LL7A <sup>XX</sup> *  | BB- 2 BMMA-LL7001   |

\* XX: Choose the cable length from 01~99m

## Standard Size: 2 Points Lock Bayonet > In-Line

| <ul style="list-style-type: none"> <li>Female Connector (Housing)</li> <li>Male Contacts</li> <li>2 Points Lock Bayonet</li> </ul> |                    | Overmolded with Cable →  | Overmolded with Cable →  | Field Installable                         |
|--|--------------------|--|--|---|
| Current Rating (Code)  | Contacts <b>2</b>  | Female Connector (F)<br>Male Contacts (M)  | Male Connector (M)<br>Female Contacts (F)  | Male Connector (M)<br>Female Contacts (F) |
| 5A (BD)  | 02,03,04,<br>05,06 | [A]BD- <b>2</b> BFMM-LL7A <sup>XX</sup> *<br>BD- <b>2</b> AFMM-LR7A <sup>XX</sup> *<br>BD- <b>2</b> BFMM-LR6A <sup>XX</sup> *  | BD- <b>2</b> AMFM-LL6A <sup>XX</sup> *<br>BD- <b>2</b> BMFM-LL7A <sup>XX</sup> * | BD- <b>2</b> BMFA-LL7001                  |
| 10A (BB)   | 02,03              | [A]BB- <b>2</b> BFMM-LL7A <sup>XX</sup> *<br>BB- <b>2</b> AFMM-LR7A <sup>XX</sup> *<br>BB- <b>2</b> BFMM-LR6A <sup>XX</sup> *  | BB- <b>2</b> PMFM-LL7A <sup>XX</sup> *   | -   |
| 5A+2A (BDU)  | 08 (2+6)           | BDU-08AFMM-LL6A <sup>XX</sup> *<br>BDU-08AFMM-LR7A <sup>XX</sup> *<br>BDU-08BFMM-LL7A <sup>XX</sup> *  | BDU-08PMFM-LL7A <sup>XX</sup> *  | -   |
| 10A+5A (BBD)   | 06 (2+4)           | BBD- <b>2</b> AFMM-LL6A <sup>XX</sup> *<br>BBD- <b>2</b> AFMM-LR7A <sup>XX</sup> *<br>BBD- <b>2</b> BFMM-LL7A <sup>XX</sup> *<br>BBD- <b>2</b> BFMM-LR6A <sup>XX</sup> * | BBD-06PMFM-LL7A <sup>XX</sup> *  | BBD-06BMFA-LL7001                         |

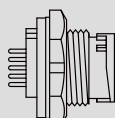
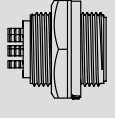
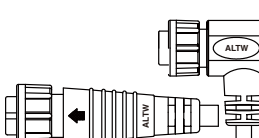
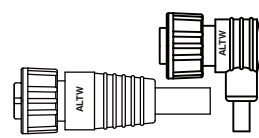
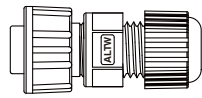
【Note】 BDU-08AMFM-LL6A<sup>XX</sup> and BDU-08BMFM-LL7A<sup>XX</sup> are coming soon.

\* <sup>XX</sup>: Choose the cable length from 01~99m

\*\* [A] Stamp pin

【Note】 Design and specification are subject to change without notice.

Standard Size: 5/8"-27 UNS and 2 Points Lock Bayonet > Receptacle and Mating Pair

|   |                      |  |  |   |
|---|----------------------|--|--|---|
| <ul style="list-style-type: none"> <li>• Male Connector (Housing)</li> <li>• Male Contacts</li> <li>• Screw Thread &amp; 2 Points Lock Bayonet</li> <li>• Front Fastened &amp; Rear Fastened</li> </ul> |                      | <p>Receptacle</p>  <p>2 Points Lock Bayonet (L)</p>  <p>Screw Thread (S)</p> <p>6 PCB Type (P/R) or Solder Type (S)</p> <p>7 2 Points Lock Bayonet (L) or Screw Thread (S)</p> | <p>Overmolded with Cable</p>  <p>2 Points Lock Bayonet (L)</p>  <p>Screw Thread (S)</p> <p>7 2 Points Lock Bayonet (L) or Screw Thread (S)</p> | <p>Field Installable</p>  <p>7 2 Points Lock Bayonet (L) or Screw Thread (S)</p> |
|   |                      | <p>Current Rating (Code)</p> <p>Contacts 2</p> <p>Male Connector (M)<br/>Male Contacts (M)</p>   | <p>Female Connector (F)<br/>Female Contacts (F)</p>  | <p>Female Connector (F)<br/>Female Contacts (F)</p>   |
| 2A (BU)   | 10,12                | BU-2PMM6-7C7001<br>BU-2RMMS-7C7001   | BU-2AFFM-7L6A <sup>XX</sup> *<br>BU-2AFFM-7R7A <sup>XX</sup> *<br>BU-2BFFM-7L7A <sup>XX</sup> *<br>BU-2BFFM-LR6A <sup>XX</sup> *   | BU-2BFFA-7L7001   |
| 2A (BSU)<br>*Metal  | 10                   | BSU-2PMM6-SC7001<br>BSU-2RMMS-SC7001   | BSU-10BFFM-SL7A <sup>XX</sup> *<br>BSU-10BFFM-SR6A <sup>XX</sup> *   | -   |
| 5A (BD)   | 02,03,04,05,06,07,08 | BD-2PMMP-7C7001<br>BD-2PMMR-7C7001<br>[A]BD-2PMMS-7C7001<br>[A]BD-2RMMS-7C7001   | [A]BD-2BFFM-7L7A <sup>XX</sup> *<br>BD-2AFFM-7R7A <sup>XX</sup> *<br>BD-2BFFM-7R6A <sup>XX</sup> *   | BD-2BFFA-7L7001   |
| 5A (BSD)  | 04,05,06,07,08       | BSD-2PMM6-SC7001<br>BSD-06RMMS-SC7001<br>BSD-08RMMS-SC7001   | BSD-2BFFM-SL6A <sup>XX</sup> *<br>BSD-2BFFM-SR6A <sup>XX</sup> *   | -   |
| 10A (BB)  | 02,03,04             | [A]BB-2PMMS-7C7001<br>[A]BB-2RMMS-7C7001   | [A]BB-2BFFM-7L7A <sup>XX</sup> *<br>BB-2AFFM-7R7A <sup>XX</sup> *<br>BB-2BFFM-7R6A <sup>XX</sup> *   | BB-2BFFA-7L7001   |
| 10A (BSB)<br>*Metal   | 04                   | BSB-04RMMS-SC7001  | BSB-04BFFM-SL7A <sup>XX</sup> *  | -   |

\* XX: Choose the cable length from 01~99m  
 \*\* [A] Stamp pin

∟ **Standard Size: 5/8"-27 UNS and 2 Points Lock Bayonet >**  
**Receptacle with Overmolded Cable and Mating Pair**

| <ul style="list-style-type: none"> <li>• Male Connector (Housing)</li> <li>• Male Contacts</li> <li>• Screw Thread &amp; 2 Points Lock Bayonet</li> </ul> |                          | <p>Receptacle →</p> <p>Screw Thread (S)</p> <p>2 Points Lock Bayonet (L)</p> | <p>Overmolded with Cable →</p> <p>2 Points Lock Bayonet (L)</p> <p>Screw Thread (S)</p> | <p>Field Installable</p>                        |
|---|--------------------------|--|---|---|
|   |                          | ⑦ 2 Points Lock Bayonet (L) or Screw Thread (S)                              | ⑦ 2 Points Lock Bayonet (L) or Screw Thread (S)   | ⑦ 2 Points Lock Bayonet (L) or Screw Thread (S) |
| Current Rating (Code)   | Contacts ②               | Male Connector (M)<br>Male Contacts (M)                                      | Female Connector (F)<br>Female Contacts (F)   | Female Connector (F)<br>Female Contacts (F)     |
| 2A (BU)   | 10, 12                   | BU-② PMMM-⑦ L7AXX*   | BU-② AFFM-⑦ L6AXX*<br>BU-② AFFM-⑦ R7AXX*<br>BU-② BFFM-⑦ L7AXX*<br>BU-② BFFM-⑦ R6AXX*    | BU-② BFFA-⑦ L7001                               |
| 5A (BD)   | 02,03,04,<br>05,06,07,08 | BD-② PMMM-⑦ L7AXX*   | [A]BD-② BFFM-⑦ L7AXX*<br>BD-② AFFM-⑦ R7AXX*<br>BD-② BFFM-⑦ R6AXX*                       | BD-② BFFA-⑦ L7001                               |
| 10A (BB)  | 02,03,04                 | BB-② PMMM-⑦ L7AXX*   | [A]BB-② BFFM-⑦ L7AXX*<br>BB-② AFFM-⑦ R7AXX*<br>BB-② BFFM-⑦ R6AXX*                       | BB-② BFFA-⑦ L7001                               |

\* XX: Choose the cable length from 01~99m  
 \*\* [A] Stamp pin

【Note】 Design and specification are subject to change without notice.

# Circular Connector | Find Our Standard Products

## Standard Size: Screw Thread and 2 Points Lock Bayonet

Receptacle and Mating Pair

### Standard Size: 5/8"-27 UNS and 2 Points Lock Bayonet > Receptacle and Mating Pair

- Male Connector (Housing)
- Female Contacts
- Screw Thread & 2 Points Lock Bayonet
- Front Fastened & Rear Fastened

Receptacle → Overmolded with Cable →

2 Points Lock Bayonet (L)

Screw Thread (S)

6 PCB Type (P/R) or Solder Type (S)

7 2 Points Lock Bayonet (L) or Screw Thread (S)

Field Installable

2 Points Lock Bayonet (L)

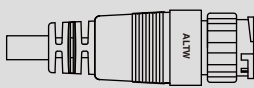
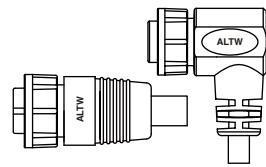
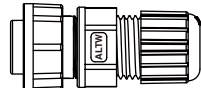
Screw Thread (S)

7 2 Points Lock Bayonet (L) or Screw Thread (S)

| Current Rating (Code) | Contacts 2     | Male Connector (M)<br>Female Contacts (F)                               | Female Connector (F)<br>Male Contacts (M)  | Female Connector (F)<br>Male Contacts (M) |
|-----------------------|----------------|---|--|---|
| 5A (BD)               | 02,03,04,05,06 | BD- 2 PMFP- 7 C7001<br>[A]BD- 2 PMFS- 7 C7001<br>[A]BD- 2 RMFS- 7 C7001 | [A]BD- 2 BFMM- 7 L7A <sup>XX</sup> *<br>BD- 2 AFMM- 7 R7A <sup>XX</sup> *<br>BD- 2 BFMM- 7 R6A <sup>XX</sup> *                                   | BD- 2 BFMA- 7 L7001                       |
| 10A (BB)              | 02,03          | BB- 2 PMFP- 7 C7001<br>[A]BB- 2 PMFS- 7 C7001<br>[A]BB- 2 RMFS- 7 C7001 | [A]BB- 2 BFMM- 7 L7A <sup>XX</sup> *<br>BB- 2 AFMM- 7 R7A <sup>XX</sup> *<br>BB- 2 BFMM- 7 R6A <sup>XX</sup> *                                   | BB- 2 BFMA- 7 L7001                       |
| 5A+2A (BDU)           | 08 (2+6)       | BDU-08PMF 6 - 7 C7001<br>BDU-08RMFS- 7 C7001                            | BDU-08AFMM- 7 L6A <sup>XX</sup> *<br>BDU-08AFMM- 7 R7A <sup>XX</sup> *<br>BDU-08BFMM- 7 L7A <sup>XX</sup> *                                      | BDU-08BFMA- 7 L7001                       |
| 10A+5A (BBD)          | 06 (2+4)       | BBD-06PMF 6 - 7 C7001<br>BBD-06RMFS- 7 C7001                            | BBD-06AFMM- 7 L6A <sup>XX</sup> *<br>BBD-06AFMM- 7 R7A <sup>XX</sup> *<br>BBD-06BFMM- 7 L7A <sup>XX</sup> *<br>BBD-06BFMM- 7 R6A <sup>XX</sup> * | BBD-06BFMA- 7 L7001                       |

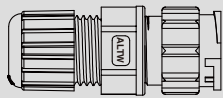
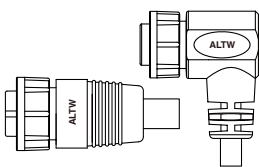
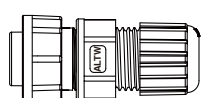
\* XX: Choose the cable length from 01~99m  
\*\* [A] Stamp pin

➤ Middle Size: 2 Points Lock Bayonet > In-Line

|  |                       |   |  |   |
|--|-----------------------|---|--|---|
| <ul style="list-style-type: none"> <li>• Male Connector (Housing)</li> <li>• Male Contacts</li> <li>• 2 Points Lock Bayonet</li> </ul> |                       | Overmolded with Cable →  | Overmolded with Cable →  | Field Installable  |
| Current Rating (Code)  | Contacts 2            | Male Connector (M)<br>Male Contacts (M)   | Female Connector (F)<br>Female Contacts (F)  | Female Connector (F)<br>Female Contacts (F)   |
| 5A (CD)  | 07,08,09,<br>10,12,14 | CD-2AMMM-LL7A <sup>XX</sup> *<br>CD-2BMMM-LL6A <sup>XX</sup> *  | [A]CD-2AFFM-LL7A <sup>XX</sup> *<br>CD-2AFFM-LR7A <sup>XX</sup> *  | CD-2BFFA-LL7001   |

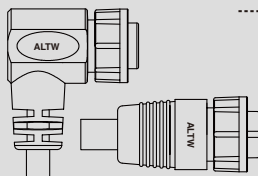
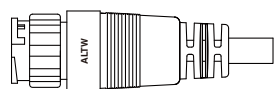
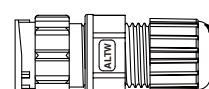
\* XX: Choose the cable length from 01~99m  
\*\* [A] Stamp pin

➤ Middle Size: 2 Points Lock Bayonet > In-Line

|  |                       |  |   |  |
|--|-----------------------|--|---|--|
| <ul style="list-style-type: none"> <li>• Male Connector (Housing)</li> <li>• Male Contacts</li> <li>• 2 Points Lock Bayonet</li> </ul> |                       | Field Installable  | Overmolded with Cable →  | Field Installable  |
| Current Rating (Code)  | Contacts 2            | Male Connector (M)<br>Male Contacts (M)  | Female Connector (F)<br>Female Contacts (F)   | Female Connector (F)<br>Female Contacts (F)  |
| 5A (CD)  | 07,08,09,<br>10,12,14 | CD-2BMMA-LL7001  | [A]CD-2AFFM-LL7A <sup>XX</sup> *<br>CD-2AFFM-LR7A <sup>XX</sup> *   | CD-2BFFA-LL7001  |

\* XX: Choose the cable length from 01~99m  
\*\* [A] Stamp pin

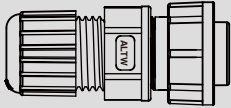
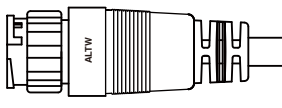
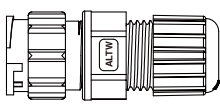
➤ Middle Size: 2 Points Lock Bayonet > In-Line

|  |                       |   |  |   |
|--|-----------------------|---|--|---|
| <ul style="list-style-type: none"> <li>• Female Connector (Housing)</li> <li>• Female Contacts</li> <li>• 2 Points Lock Bayonet</li> </ul> |                       | Overmolded with Cable →  | Overmolded with Cable →  | Field Installable  |
| Current Rating (Code)  | Contacts 2            | Female Connector (F)<br>Female Contacts (F)   | Male Connector (M)<br>Male Contacts (M)  | Male Connector (M)<br>Male Contacts (M)   |
| 5A (CD)  | 07,08,09,<br>10,12,14 | [A]CD-2AFFM-LL7A <sup>XX</sup> *<br>CD-2AFFM-LR7A <sup>XX</sup> *   | CD-2AMMM-LL7A <sup>XX</sup> *<br>CD-2BMMM-LL6A <sup>XX</sup> *   | CD-2BMMA-LL7001   |

\* XX: Choose the cable length from 01~99m  
\*\* [A] Stamp pin

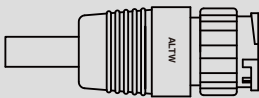
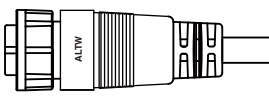
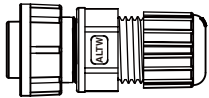
[Note] Design and specification are subject to change without notice.

∟ Middle Size: 2 Points Lock Bayonet > In-Line

|  |                       |   |  |   |
|--|-----------------------|---|--|---|
| <ul style="list-style-type: none"> <li>• Female Connector (Housing)</li> <li>• Female Contacts</li> <li>• 2 Points Lock Bayonet</li> </ul> |                       | Field Installable  | Overmolded with Cable  | Field Installable  |
| Current Rating (Code)  | Contacts <b>2</b>     | Female Connector (F)<br>Female Contacts (F)   | Male Connector (M)<br>Male Contacts (M)  | Male Connector (M)<br>Male Contacts (M)   |
| 5A (CD)  | 07,08,09,<br>10,12,14 | CD- <b>2</b> BFFA-LL7001  | CD- <b>2</b> AMMM-LL7A $\underline{XX}$ *<br>CD- <b>2</b> BMMM-LL6A $\underline{XX}$ *                   | CD- <b>2</b> BMMA-LL7001  |

\*  $\underline{XX}$ : Choose the cable length from 01~99m

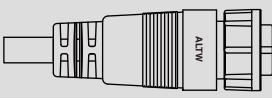
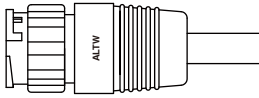
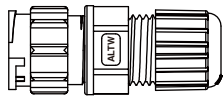
∟ Middle Size: 2 Points Lock Bayonet > In-Line

|  |                   |  |  |  |
|--|-------------------|--|--|--|
| <ul style="list-style-type: none"> <li>• Male Connector (Housing)</li> <li>• Female Contacts</li> <li>• 2 Points Lock Bayonet</li> </ul> |                   | Overmolded with Cable  | Overmolded with Cable  | Field Installable  |
| Current Rating (Code)  | Contacts <b>2</b> | Male Connector (M)<br>Female Contacts (F)  | Female Connector (F)<br>Male Contacts (M)  | Female Connector (F)<br>Male Contacts (M)  |
| 5A (CD)  | 07,08,09          | CD- <b>2</b> AMFM-LL7A $\underline{XX}$ *<br>CD- <b>2</b> BMFM-LL6A $\underline{XX}$ *                   | [A]CD- <b>2</b> AFMM-LL7A $\underline{XX}$ *   | CD- <b>2</b> BFMA-LL7001   |

\*  $\underline{XX}$ : Choose the cable length from 01~99m

\*\* [A] Stamp pin

∟ Middle Size: 2 Points Lock Bayonet > In-Line

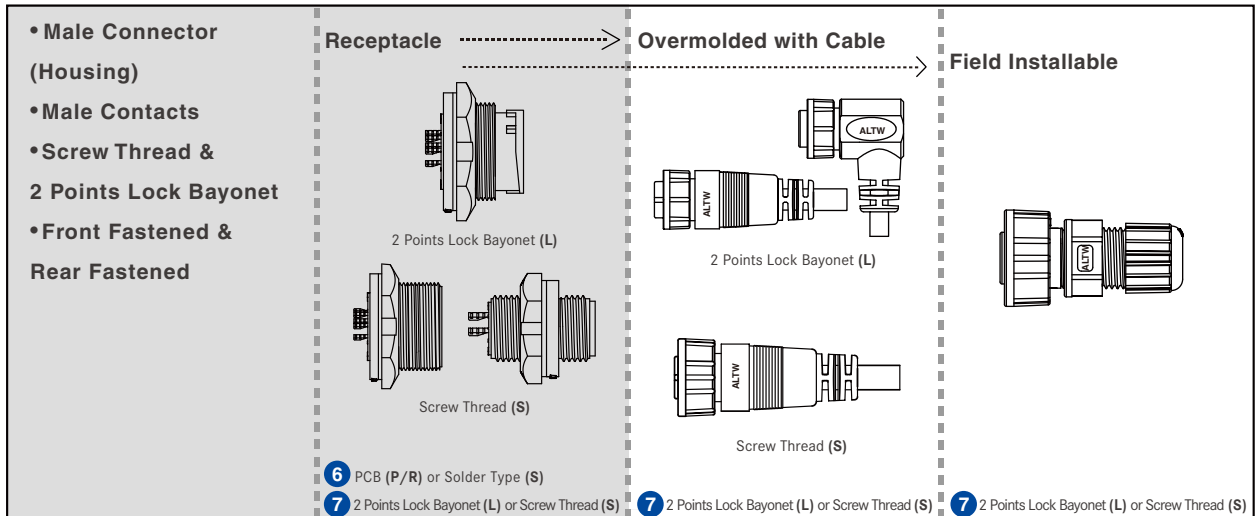
|  |                   |   |  |   |
|--|-------------------|---|--|---|
| <ul style="list-style-type: none"> <li>• Female Connector (Housing)</li> <li>• Male Contacts</li> <li>• 2 Points Lock Bayonet</li> </ul> |                   | Overmolded with Cable  | Overmolded with Cable  | Field Installable  |
| Current Rating (Code)  | Contacts <b>2</b> | Female Connector (F)<br>Male Contacts (M)   | Male Connector (M)<br>Female Contacts (F)  | Male Connector (M)<br>Female Contacts (F)   |
| 5A (CD)  | 07,08,09          | [A]CD- <b>2</b> AFMM-LL7A $\underline{XX}$ *  | CD- <b>2</b> AMFM-LL7A $\underline{XX}$ *<br>CD- <b>2</b> BMFM-LL6A $\underline{XX}$ *                     | CD- <b>2</b> BMFA-LL7001  |

\*  $\underline{XX}$ : Choose the cable length from 01~99m

\*\* [A] Stamp pin



▾ Middle Size: 13/16"-28 UNS and 2 Points Lock Bayonet > Receptacle and Mating Pair

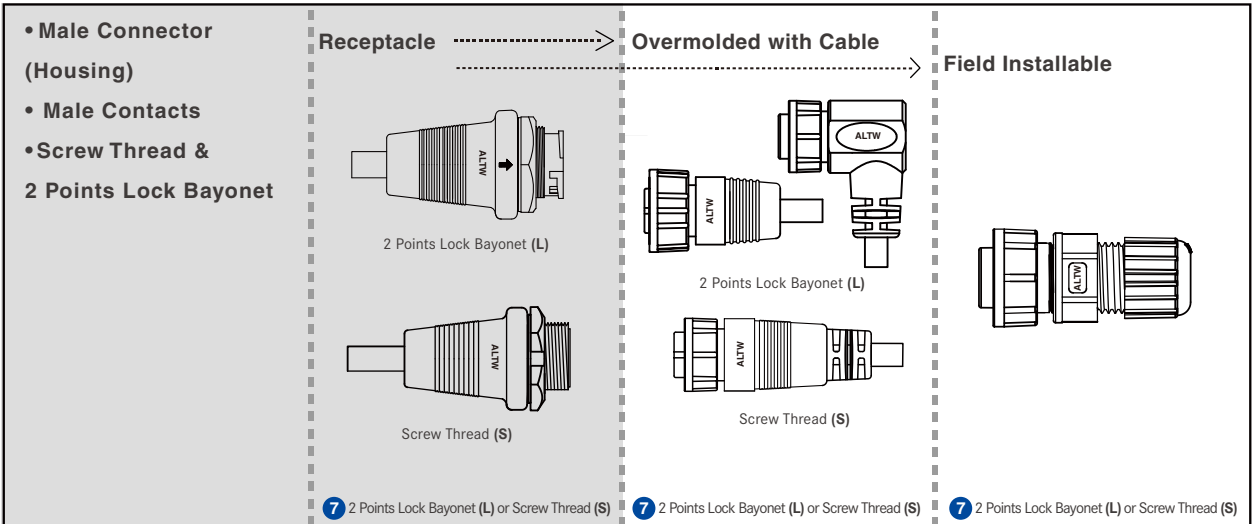


| Current Rating (Code) | Contacts <sup>2</sup> | Male Connector (M)<br>Male Contacts (M)   | Female Connector (F)<br>Female Contacts (F)  | Female Connector (F)<br>Female Contacts (F) |
|-----------------------|-----------------------|---|--|---|
| 2A (CU)               | 18                    | CU-18PMMP- <sup>7</sup> C7001<br>CU-18PMMP-SC7002   | CU-18AFFM- <sup>7</sup> L7A <sup>XX</sup> *<br>CU-18BFFM- <sup>7</sup> L6A <sup>XX</sup> *               | CU-18BFFA- <sup>7</sup> L7001               |
| 5A (CD)               | 07,08,09,<br>10,12,14 | CD- <sup>2</sup> PMMP- <sup>7</sup> C7001<br>[A]CD- <sup>2</sup> PMMS- <sup>7</sup> C7001<br>[A]CD- <sup>2</sup> RMMS- <sup>7</sup> C7001 | [A]CD- <sup>2</sup> AFFM- <sup>7</sup> L7A <sup>XX</sup> *<br>CD- <sup>2</sup> AFFM-LR7A <sup>XX</sup> * | CD- <sup>2</sup> BFFA- <sup>7</sup> L7001   |
| 10A (CB)              | 04,05,06              | CB- <sup>2</sup> PMMP- <sup>7</sup> C7001<br>[A]CB- <sup>2</sup> PMMS- <sup>7</sup> C7001<br>[A]CB- <sup>2</sup> RMMS- <sup>7</sup> C7001 | [A]CB- <sup>2</sup> AFFM- <sup>7</sup> L7A <sup>XX</sup> *   | CB- <sup>2</sup> BFFA- <sup>7</sup> L7001   |
| 10A+5A (CBD)          | 08 (2+6)              | CBD-08PMM <sup>6</sup> - <sup>7</sup> C7001   | CBD-08AFFM- <sup>7</sup> L7A <sup>XX</sup> *<br>CBD-08BFFM- <sup>7</sup> L6A <sup>XX</sup> *             | CBD-08BFFA- <sup>7</sup> L7001              |
| 20A (CC)              | 03                    | [A]CC-03PMMS- <sup>7</sup> C7001<br>[A]CC-03RMMS-LC7001<br>CC-03RMMS- <sup>7</sup> C7001  | [A]CC-03AFFM- <sup>7</sup> L7A <sup>XX</sup> *   | CC-03BFFA- <sup>7</sup> L7001               |

\* XX: Choose the cable length from 01~99m  
 \*\* [A] Stamp pin

[Note] Design and specification are subject to change without notice.

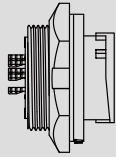
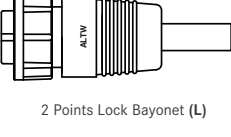
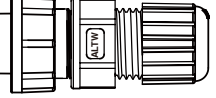
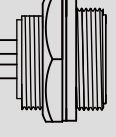
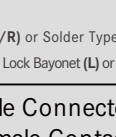
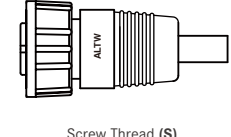
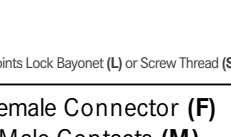
∟ **Middle Size: 13/16"-28 UNS and 2 Points Lock Bayonet >**  
**Receptacle with Overmolded Cable and Mating Pair**



| Current Rating (Code) | Contacts <b>2</b>     | Male Connector (M)<br>Male Contacts (M)     | Female Connector (F)<br>Female Contacts (F)  | Female Connector (F)<br>Female Contacts (F) |
|-----------------------|-----------------------|---|--|---|
| 5A (CD)               | 07,08,09,<br>10,12,14 | CD- <b>2</b> PMMM- <b>7</b> L7A <u>XX</u> * | [A]CD- <b>2</b> AFFM- <b>7</b> L7A <u>XX</u> *<br>CD- <b>2</b> AFFM-LR7A <u>XX</u> * | CD- <b>2</b> BFFA- <b>7</b> L7001           |
| 10A (CB)              | 04,05,06              | CB- <b>2</b> PMMM- <b>7</b> L7A <u>XX</u> * | [A]CB- <b>2</b> AFFM- <b>7</b> L7A <u>XX</u> *                                       | CB- <b>2</b> BFFA- <b>7</b> L7001           |
| 20A (CC)              | 03                    | CC-03PMMM-SL7A <u>XX</u> *                  | [A]CC-03AFFM-SL7A <u>XX</u> *  | CC-03BFFA- <b>7</b> L7001                   |

\* XX: Choose the cable length from 01-99m  
 \*\* [A] Stamp pin

▾ Middle Size: 13/16"-28 UNS and 2 Points Lock Bayonet >  
 Receptacle and Mating Pair

| <ul style="list-style-type: none"> <li>• Male Connector (Housing)</li> <li>• Female Contacts</li> <li>• Screw Thread &amp; 2 Points Lock Bayonet</li> <li>• Rear Fastened</li> </ul> |                        | Receptacle   | Overmolded with Cable   | Field Installable  |
|--|------------------------|---|---|---|
|  |                        |  <p>2 Points Lock Bayonet (L)</p>  <p>Screw Thread (S)</p> <p>⑥ PCB (P/R) or Solder Type (S)<br/>                 ⑦ 2 Points Lock Bayonet (L) or Screw Thread (S)</p> |  <p>2 Points Lock Bayonet (L)</p>  <p>Screw Thread (S)</p> <p>⑦ 2 Points Lock Bayonet (L) or Screw Thread (S)</p> | <p>⑦ 2 Points Lock Bayonet (L) or Screw Thread (S)</p>  |
| Current Rating (Code)  | Contacts ②             | Male Connector (M)<br>Female Contacts (F)   | Female Connector (F)<br>Male Contacts (M)   | Female Connector (F)<br>Male Contacts (M)   |
| 5A (CD)  | 07,08,09               | CD-②PMFP-⑦C7001<br>[A]CD-②PMFS-⑦C7001<br>[A]CD-②RMFS-⑦C7001   | [A]CD-②AFMM-⑦L7A $\underline{XX}$ *   | CD-②BFMA-⑦L7001   |
| 5A+2A (CDU)  | 12 (2+10)<br>14 (2+12) | CDU-②PMF ⑥-⑦C7001   | CDU-②AFMM-⑦L7A $\underline{XX}$ *<br>CDU-②BFMM-⑦L6A $\underline{XX}$ *<br>CDU-②BFMM-⑦L7A $\underline{XX}$ *   | CDU-②BFMA-⑦L7001  |
| 10A (CB)   | 04,05                  | CB-②PMFP-⑦C7001<br>[A]CB-②PMFS-⑦C7001<br>[A]CB-②RMFS-⑦C7001   | [A]CB-②AFMM-⑦L7A $\underline{XX}$ *   | CB-②BFMA-⑦L7001   |
| 10A+5A (CBD)   | 08 (2+6)               | CBD-08PMF ⑥-⑦C7001  | CBD-08AFMM-⑦L7A $\underline{XX}$ *<br>CBD-08BFMM-⑦L6A $\underline{XX}$ *  | CBD-08BFMA-⑦L7001   |
| 20A (CC)   | 02                     | CC-02PMFS-LC7001  | CC-02AFMM-LL7A $\underline{XX}$ *   | -   |

\*  $\underline{XX}$ : Choose the cable length from 01~99m  
 \*\* [A] Stamp pin

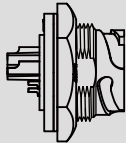
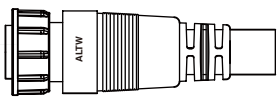
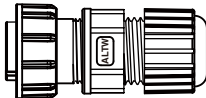
[Note] Design and specification are subject to change without notice.

➤ Middle Size: 13/16"-28 UNS and 2 Points Lock Bayonet >  
Receptacle with Overmolded Cable and Mating Pair

| <ul style="list-style-type: none"> <li>• Male Connector (Housing)</li> <li>• Female Contacts</li> <li>• Screw Thread &amp; 2 Points Lock Bayonet</li> </ul> |            | <p>Receptacle</p> <p>2 Points Lock Bayonet (L)</p> <p>Screw Thread (S)</p> | <p>Overmolded with Cable</p> <p>2 Points Lock Bayonet (L)</p> <p>Screw Thread (S)</p> | <p>Field Installable</p>                               |
|---|------------|--|---|--|
|   |            | <p>⑦ 2 Points Lock Bayonet (L) or Screw Thread (S)</p>                     |   | <p>⑦ 2 Points Lock Bayonet (L) or Screw Thread (S)</p> |
| Current Rating (Code)   | Contacts ② | Male Connector (M)<br>Female Contacts (F)                                  | Female Connector (F)<br>Male Contacts (M)   | Female Connector (F)<br>Male Contacts (M)              |
| 5A (CD)   | 07,08,09   | CD-② PMFM-⑦ L7A <sup>XX</sup> *  | [A]CD-② AFMM-⑦ L7A <sup>XX</sup> *  | CD-② BFMA-⑦ L7001                                      |
| 10A (CB)  | 04,05      | CB-② PMFM-⑦ L7A <sup>XX</sup> *  | [A]CB-② AFMM-⑦ L7A <sup>XX</sup> *  | CB-② BFMA-⑦ L7001                                      |

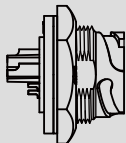
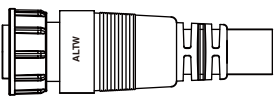
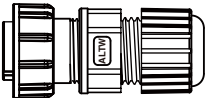
\* XX: Choose the cable length from 01~99m  
\*\* [A] Stamp pin

∟ Middle Size: 3 Points Lock Bayonet > Receptacle and Mating Pair

| <ul style="list-style-type: none"> <li>• Male Connector (Housing)</li> <li>• Female Power+Male Signal</li> <li>• 3 Points Lock Bayonet</li> <li>• Front Fastened</li> </ul> |          | <p>Receptacle</p>  | <p>Overmolded with Cable</p>  | <p>Field Installable</p>  |
|---|----------|---|---|--|
| Current Rating (Code)   | Contacts | Male Connector (M)<br>Female Power+Male Signal (D)  | Female Connector (F)<br>Male Power+Female Signal (E)  | Female Connector (F)<br>Male Power+Female Signal (E)   |
| 10A+2A (CBU)  | 08 (3+5) | CBU-08PMDS-TC7001   | CBU-08AFEM-TL7A <sup>XX</sup> *   | CBU-08BFEA-TL7001  |

\* XX: Choose the cable length from 01~99m

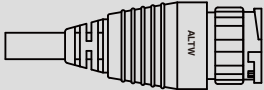
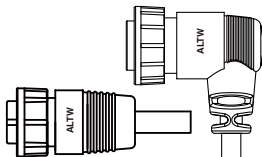
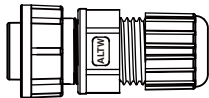
∟ Middle Size: 3 Points Lock Bayonet > Receptacle and Mating Pair

| <ul style="list-style-type: none"> <li>• Male Connector (Housing)</li> <li>• Male Power+Female Signal</li> <li>• 3 Points Lock Bayonet</li> <li>• Front Fastened</li> </ul> |          | <p>Receptacle</p>  | <p>Overmolded with Cable</p>  | <p>Field Installable</p>  |
|---|----------|--|---|--|
| Current Rating (Code)   | Contacts | Male Connector (M)<br>Male Power+Female Signal (E)   | Female Connector (F)<br>Female Power+Male Signal (D)  | Female Connector (F)<br>Female Power+Male Signal (D)   |
| 10A+2A (CBU)  | 08 (3+5) | CBU-08PMES-TC7001  | CBU-08AFDM-TL7A <sup>XX</sup> *   | CBU-08BFDA-TL7001  |

\* XX: Choose the cable length from 01~99m

【Note】 Design and specification are subject to change without notice.

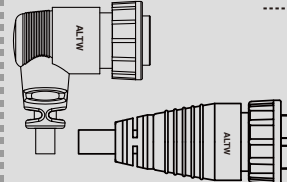


Large Size: 2 Points Lock Bayonet > In-Line

|  |          |  |  |  |
|--|----------|--|--|--|
| <ul style="list-style-type: none"> <li>• Male Connector (Housing)</li> <li>• Male Contacts</li> <li>• 2 Points Lock Bayonet</li> </ul> |          | <p>Overmolded with Cable →</p>  | <p>Overmolded with Cable →</p>  | <p>Field Installable</p>  |
| Current Rating (Code)  | Contacts | Male Connector (M)<br>Male Contacts (M)  | Female Connector (F)<br>Female Contacts (F)  | Female Connector (F)<br>Female Contacts (F)  |
| 5A (DD)  | 18       | DD-18AMMM-LL7A <sup>XX</sup> *<br>DD-18BMMM-LL6A <sup>XX</sup> *   | [A]DD-18AFFM-LL7A <sup>XX</sup> *<br>DD-18AFFM-LR7A <sup>XX</sup> *  | DD-18BFFA-LL7001   |

\* XX: Choose the cable length from 01~99m

\*\* [A] Stamp pin


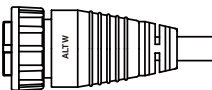
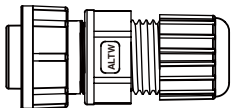
Large Size: 2 Points Lock Bayonet > In-Line

|  |          |   |   |   |
|--|----------|---|---|---|
| <ul style="list-style-type: none"> <li>• Female Connector (Housing)</li> <li>• Female Contacts</li> <li>• 2 Points Lock Bayonet</li> </ul> |          | <p>Overmolded with Cable →</p>  | <p>Overmolded with Cable →</p>  | <p>Field Installable</p>  |
| Current Rating (Code)  | Contacts | Female Connector (F)<br>Female Contacts (F)   | Male Connector (M)<br>Male Contacts (M)   | Male Connector (M)<br>Male Contacts (M)   |
| 5A (DD)  | 18       | [A]DD-18AFFM-LL7A <sup>XX</sup> *<br>DD-18AFFM-LR7A <sup>XX</sup> *   | DD-18AMMM-LL7A <sup>XX</sup> *<br>DD-18BMMM-LL6A <sup>XX</sup> *  | DD-18BMMA-LL7001  |

\* XX: Choose the cable length from 01~99m

\*\* [A] Stamp pin


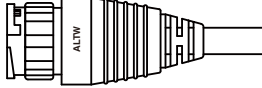
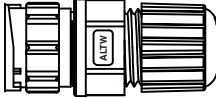
Large Size: 2 Points Lock Bayonet > In-Line

|  |          |  |  |  |
|--|----------|--|--|--|
| <ul style="list-style-type: none"> <li>• Male Connector (Housing)</li> <li>• Female Contacts</li> <li>• 2 Points Lock Bayonet</li> </ul> |          | <p>Overmolded with Cable →</p>  | <p>Overmolded with Cable →</p>  | <p>Field Installable</p>  |
| Current Rating (Code)  | Contacts | Male Connector (M)<br>Female Contacts (F)  | Female Connector (F)<br>Male Contacts (M)  | Female Connector (F)<br>Male Contacts (M)  |
| 5A (DD)  | 18       | DD-18AMFM-LL7A <sup>XX</sup> *<br>DD-18BMFM-LL6A <sup>XX</sup> *   | [A]DD-18AFMM-LL7A <sup>XX</sup> *  | DD-18BFMA-LL7001   |

\* XX: Choose the cable length from 01~99m

\*\* [A] Stamp pin

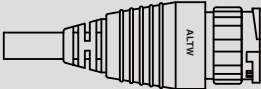
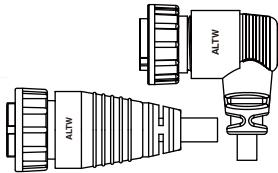
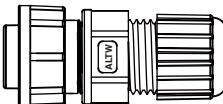
Large Size: 2 Points Lock Bayonet > In-Line

|  |          |   |  |   |
|--|----------|---|--|---|
| <ul style="list-style-type: none"> <li>Female Connector (Housing)</li> <li>Male Contacts</li> <li>2 Points Lock Bayonet</li> </ul> |          | Overmolded with Cable  | Overmolded with Cable  | Field Installable  |
| Current Rating (Code)  | Contacts | Female Connector (F)<br>Male Contacts (M)   | Male Connector (M)<br>Female Contacts (F)  | Male Connector (M)<br>Female Contacts (F)   |
| 5A (DD)  | 18       | [A]DD-18AFMM-LL7A <sup>XX</sup> *   | DD-18AMFM-LL7A <sup>XX</sup> *<br>DD-18BMFM-LL6A <sup>XX</sup> *   | DD-18BMFA-LL7001  |

\* XX: Choose the cable length from 01~99m

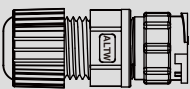
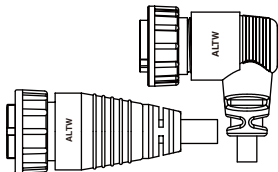
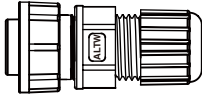
\*\* [A] Stamp pin

Large Size: 2 Points Lock Bayonet > In-Line

|   |          |  |   |  |
|---|----------|--|---|--|
| <ul style="list-style-type: none"> <li>Male Connector (Housing)</li> <li>Female Power+Male Signal</li> <li>2 Points Lock Bayonet</li> </ul> |          | Overmolded with Cable  | Overmolded with Cable  | Field Installable  |
| Current Rating (Code)   | Contacts | Male Connector (M)<br>Female Power+Male Signal (D)   | Female Connector (F)<br>Male Power+Female Signal (E)  | Female Connector (F)<br>Male Power+Female Signal (E)   |
| 20A+2A (DCU)  | 08 (3+5) | DCU-08AMD <sup>M</sup> -LL7B <sup>XX</sup> *   | DCU-08AFEM-LL7B <sup>XX</sup> *   | DCU-08BFEA-LL7001  |
| 20A+5A (DCD)  | 12 (3+9) | DCD-12AMD <sup>M</sup> -LL7A <sup>XX</sup> *   | DCD-12AFEM-LL7A <sup>XX</sup> *<br>DCD-12AFEM-LR7A <sup>XX</sup> *  | DCD-12BFEA-LL7001  |

\* XX: Choose the cable length from 01~99m

Large Size: 2 Points Lock Bayonet > In-Line

|   |          |   |  |   |
|---|----------|---|--|---|
| <ul style="list-style-type: none"> <li>Male Connector (Housing)</li> <li>Female Power+Male Signal</li> <li>2 Points Lock Bayonet</li> </ul> |          | Field Installable  | Overmolded with Cable  | Field Installable  |
| Current Rating (Code)   | Contacts | Male Connector (M)<br>Female Power+Male Signal (D)  | Female Connector (F)<br>Male Power+Female Signal (E)   | Female Connector (F)<br>Male Power+Female Signal (E)  |
| 20A+2A (DCU)  | 08 (3+5) | DCU-08BMDA-LL7001   | DCU-08AFEM-LL7B <sup>XX</sup> *  | DCU-08BFEA-LL7001   |
| 20A+5A (DCD)  | 12       | DCD-12BMDA-LL7001   | DCD-12AFEM-LL7A <sup>XX</sup> *<br>DCD-12AFEM-LR7A <sup>XX</sup> *   | DCD-12BFEA-LL7001   |

\* XX: Choose the cable length from 01~99m

[Note] Design and specification are subject to change without notice.

Large Size: 2 Points Lock Bayonet > In-Line

| <ul style="list-style-type: none"> <li>• Male Connector (Housing)</li> <li>• Male Power+Female Signal</li> <li>• 2 Points Lock Bayonet</li> </ul> |          | Overmolded with Cable →                            | Overmolded with Cable →                              | Field Installable                                    |
|---|----------|--|--|--|
|   |          |  |  |  |
| Current Rating (Code)   | Contacts | Male Connector (M)<br>Male Power+Female Signal (E) | Female Connector (F)<br>Female Power+Male Signal (D) | Female Connector (F)<br>Female Power+Male Signal (D) |
| 20A+2A (DCU)  | 08 (3+5) | DCU-08AMEM-LL7BXX*                                 | DCU-08AFDM-LL7BXX*                                   | DCU-08BFDA-LL7001                                    |
| 20A+5A (DCD)  | 12 (3+9) | DCD-12AMEM-LL7AXX*                                 | DCD-12AFDM-LL7AXX*<br>DCD-12AFDM-LR7AXX*             | DCD-12BFDA-LL7001                                    |

\* XX: Choose the cable length from 01~99m

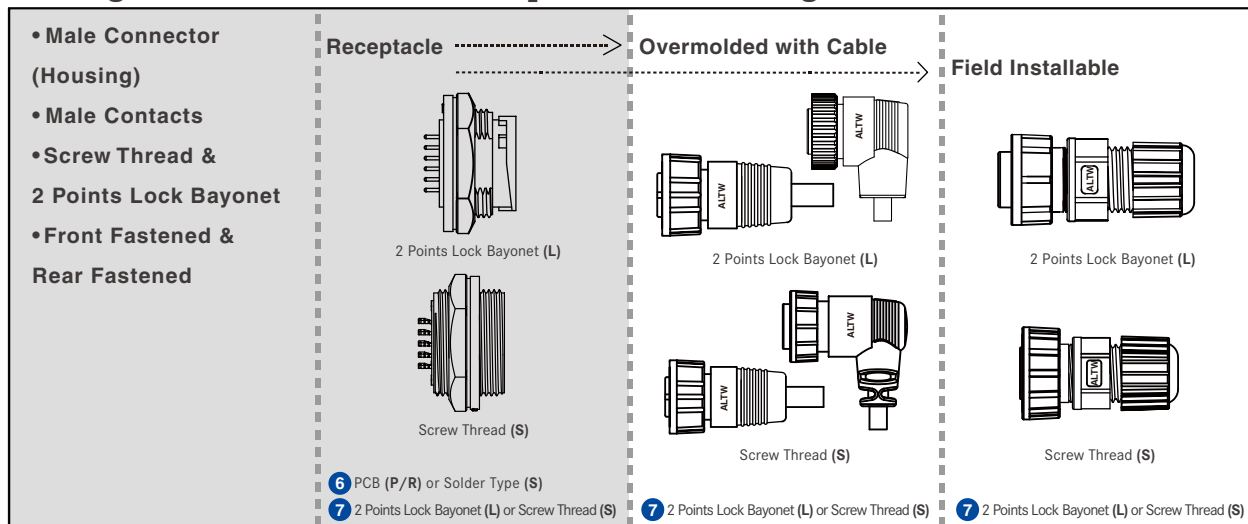
Large Size: 2 Points Lock Bayonet > In-Line

| <ul style="list-style-type: none"> <li>• Male Connector (Housing)</li> <li>• Male Power+Female Signal</li> <li>• 2 Points Lock Bayonet</li> </ul> |          | Field Installable →                                | Overmolded with Cable →                              | Field Installable                                    |
|---|----------|--|--|--|
|   |          |  |  |  |
| Current Rating (Code)   | Contacts | Male Connector (M)<br>Male Power+Female Signal (E) | Female Connector (F)<br>Female Power+Male Signal (D) | Female Connector (F)<br>Female Power+Male Signal (D) |
| 20A+2A (DCU)  | 08 (3+5) | DCU-08BMEA-LL7001                                  | DCU-08AFDM-LL7BXX*                                   | DCU-08BFDA-LL7001                                    |
| 20A+5A (DCD)  | 12 (3+9) | DCD-12BMEA-LL7001                                  | DCD-12AFDM-LL7AXX*<br>DCD-12AFDM-LR7AXX*             | DCD-12BFDA-LL7001                                    |

\* XX: Choose the cable length from 01~99m



Large Size: 1"-20 UNEF > Receptacle and Mating Pair



| Current Rating (Code) | Contacts 2            | Male Connector (M)<br>Male Contacts (M)  | Female Connector (F)<br>Female Contacts (F)                           | Female Connector (F)<br>Female Contacts (F)                |
|-----------------------|-----------------------|--|---|--|
| 2A (DU)               | 20,21,22              | DU-2 PMM 6 - 7 C7001   | DU-2 AFFM-7 L7A <sup>XX</sup> *<br>DU-2 BFFM-7 L6A <sup>XX</sup> *    | -  |
| 5A (DD)               | 18                    | DD-18PMMP-7 C7001<br>[A]DD-18PMMS-7 C7001<br>[A]DD-18PMMS-7 S7001<br>[A]DD-18RMMS-7 C7001<br>DD-18PMMP-7 S7001 | [A]DD-18AFFM-7 L7A <sup>XX</sup> *<br>DD-18AFFM-7 R7A <sup>XX</sup> * | DD-18BFFA-7 L7001  |
| 20A (DC)              | 02,03,04,<br>05,06,07 | DC-2 PMMP-7 C7001<br>[A]DC-2 PMMS-7 C7001<br>[A]DC-2 RMMS-7 C7001<br>DC-2 PMMP-7 S7001<br>[A]DC-2 PMMS-7 S7001 | [A]DC-2 AFFM-7 L7A <sup>XX</sup> *                                    | DC-2 BFFA-7 L7001<br>DC-02BFFB-7 L7001<br>DC-03BFFB-LL7001 |

\* XX: Choose the cable length from 01~99m

\*\* [A] Stamp pin

[Note] Design and specification are subject to change without notice.

Large Size: 1"-20UNEF and 2 Points Lock Bayonet > Receptacle and Mating Pair

| <ul style="list-style-type: none"> <li>• Male Connector (Housing)</li> <li>• Female Contacts</li> <li>• Screw Thread &amp; 2 Points Lock Bayonet</li> <li>• Front Fastened</li> </ul> |            | <p>Receptacle</p> <p>2 Points Lock Bayonet (L)</p> <p>Screw Thread (S)</p>                                     | <p>Overmolded with Cable</p> <p>2 Points Lock Bayonet (L)</p> <p>Screw Thread (S)</p> | <p>Field Installable</p> <p>2 Points Lock Bayonet (L)</p> <p>Screw Thread (S)</p> |
|---|------------|--|---|---|
|   |            | <p>6 PCB (P/R) or Solder Type (S)</p> <p>7 2 Points Lock Bayonet (L) or Screw Thread (S)</p>                   | <p>7 2 Points Lock Bayonet (L) or Screw Thread (S)</p>                                | <p>7 2 Points Lock Bayonet (L) or Screw Thread (S)</p>                            |
| Current Rating (Code)   | Contacts 2 | Male Connector (M)<br>Female Contacts (F)  | Female Connector (F)<br>Male Contacts (M)   | Female Connector (F)<br>Male Contacts (M)   |
| 5A (DD)   | 18         | DD-18PMFP-7 C7001<br>[A]DD-18PMFS-7 C7001<br>DD-18PMFP-7 S7001<br>[A]DD-18PMFS-7 S7001<br>[A]DD-18RMFS-7 C7001 | [A]DD-18AFMM-7 L7A <sub>XX</sub> *  | DD-18BFMA-7 L700 1  |
| 5A (DSD)<br>*Metal  | 18         | DSD-18PMF 6-SS8001<br>DSD-18PMF 6-SS8002   | DSD-18BFMM-SL6A <sub>XX</sub> *<br>DSD-18BFMM-SR6A <sub>XX</sub> *                    | -   |
| 20A (DC)  | 02,03      | DC-2 PMFP-7 C7001  | -   | DC-2 BFMB-7 L700 1  |

\* XX: Choose the cable length from 01~99m

\*\* [A] Stamp pin

Large Size: 2 Points Lock Bayonet > Receptacle and Mating Pair

|   |          |  |  |  |
|---|----------|--|--|--|
| <ul style="list-style-type: none"> <li>• Male Connector (Housing)</li> <li>• Female Power+Male Signal</li> <li>• 2 Points Lock Bayonet</li> <li>• Front Fastened</li> </ul> |          | <p>Receptacle</p> <p>PCB (P/R) Type      Solder Type (S)</p> <p>6 PCB (P/R) or Solder Type (S)</p> | <p>Overmolded with Cable</p>                         | <p>Field Installable</p>                             |
| Current Rating (Code)   | Contacts | Male Connector (M)<br>Female Power+Male Signal (D)   | Female Connector (F)<br>Male Power+Female Signal (E) | Female Connector (F)<br>Male Power+Female Signal (E) |
| 20A+2A (DCU)  | (3+5)    | DCU-08PMDS-LC7001  | DCU-08AFEM-LL7BXX*                                   | DCU-08BFEA-LL7001                                    |
| 20A+5A (DCD)  | (3+9)    | DCD-12PMD 6-LC7001   | DCD-12AFEM-LL7AXX*<br>DCD-12AFEM-LR7AXX*             | DCD-12BFEA-LL7001                                    |

\* XX: Choose the cable length from 01~99m

Large Size: 2 Points Lock Bayonet > Receptacle and Mating Pair

|   |          |  |  |  |
|---|----------|--|--|--|
| <ul style="list-style-type: none"> <li>• Male Connector (Housing)</li> <li>• Male Power+Female Signal</li> <li>• 2 Points Lock Bayonet</li> <li>• Front Fastened</li> </ul> |          | <p>Receptacle</p>                                  | <p>Overmolded with Cable</p>                         | <p>Field Installable</p>                             |
| Current Rating (Code)   | Contacts | Male Connector (M)<br>Male Power+Female Signal (E) | Female Connector (F)<br>Female Power+Male Signal (D) | Female Connector (F)<br>Female Power+Male Signal (D) |
| 20A+2A (DCU)  | (3+5)    | DCU-08PMES-LC7001                                  | DCU-08AFDM-LL7BXX*                                   | DCU-08BFDA-LL7001                                    |
| 20A+5A (DCD)  | (3+9)    | DCD-12PMES-LC7001                                  | DCD-12AFDM-LL7AXX*<br>DCD-12AFDM-LR7AXX*             | DCD-12BFDA-LL7001                                    |

\* XX: Choose the cable length from 01~99m



Macro Size: 2 Points Lock Bayonet > Receptacle and Mating pair

|  |          |   |   |   |
|--|----------|---|---|---|
| <ul style="list-style-type: none"> <li>• Male Connector (Housing)</li> <li>• Female Contacts</li> <li>• 2 Points Lock Bayonet</li> <li>• Front Fastened</li> </ul> |          | <p>Receptacle</p> <p>6 PCB (P) or Solder Type (S)</p> | <p>Overmolded with Cable</p>              | <p>Field Installable</p>                  |
| Current Rating (Code)  | Contacts | Male Connector (M)<br>Female Contacts (F)             | Female Connector (F)<br>Male Contacts (M) | Female Connector (F)<br>Male Contacts (M) |
| 5A (ED)  | 31       | ED-31PMF 6-LS7001                                     | ED-31AFMM-LL7AXX*                         | -   |

\* XX: Choose the cable length from 01~99m



[Note] Design and specification are subject to change without notice.

### Other Size: 3 Points Lock Bayonet > In-Line

|  |          |   |   |   |
|--|----------|---|---|---|
| <ul style="list-style-type: none"> <li>• Male Connector (Housing)</li> <li>• Male Contacts</li> <li>• 3 Points Lock Bayonet</li> </ul> |          | Overmolded with Cable -->  | Overmolded with Cable  | Field Installable                           |
| Current Rating (Code)  | Contacts | Male Connector (M)<br>Male Contacts (M)   | Female Connector (F)<br>Female Contacts (F)   | Female Connector (F)<br>Female Contacts (F) |
| 10A+5A (GBD)   | 08       | GBD-08AMMM-TL8A <sup>XX</sup> *<br>GBD-08BMMM-TL7A <sup>XX</sup> *  | GBD-08AFFM-TL8A <sup>XX</sup> *<br>GBD-08BFFM-TL7A <sup>XX</sup> *                                      | -   |

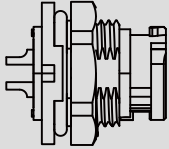
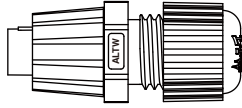
\* XX: Choose the cable length from 01~99m

### Other Size: 2 Points Lock Bayonet > In-Line

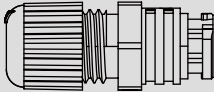
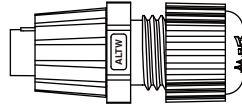
|  |          |  |  |   |
|--|----------|--|--|---|
| <ul style="list-style-type: none"> <li>• Male Connector (Housing)</li> <li>• Female Contacts</li> <li>• 2 Points Lock Bayonet</li> </ul> |          | Overmolded with Cable -->  | Overmolded with Cable  | Field Installable                         |
| Current Rating (Code)  | Contacts | Male Connector (M)<br>Female Contacts (F)  | Female Connector (F)<br>Male Contacts (M)  | Female Connector (F)<br>Male Contacts (M) |
| 10A (MAB)  | 04       | MAB-04AMFM-LL7A <sup>XX</sup> *<br>MAB-04BMFM-LL6A <sup>XX</sup> *   | MAB-04AFMM-LL7A <sup>XX</sup> *<br>MAB-04BFMM-LL6A <sup>XX</sup> *                                       | -   |

\* XX: Choose the cable length from 01~99m

∟ **Other Size: Push Lock > In-Line**

|  |                   |   |  |   |
|--|-------------------|---|--|---|
| <ul style="list-style-type: none"> <li>• Male Connector (Housing)</li> <li>• Female Contacts</li> <li>• Push Lock</li> <li>• Front Fastened</li> </ul> |                   | <p>Receptacle -----&gt;</p>  | <p>Field Installable -----&gt;</p>  | <p>Field Installable</p>                  |
| Current Rating (Code)  | Contacts <b>2</b> | Male Connector (M)<br>Female Contacts (F)   | Female Connector (F)<br>Male Contacts (M)  | Female Connector (F)<br>Male Contacts (M) |
| 5A (PLD)   | 02,03,04          | PLD- <b>2</b> PMFS-QC7001   | PLD- <b>2</b> BFMA-QL7001  | -   |

∟ **Other Size: Push Lock > In-Line**

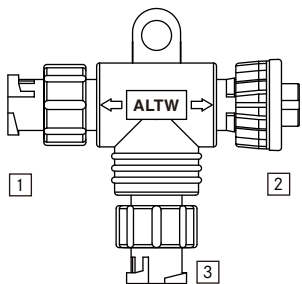
|  |                   |   |   |   |
|--|-------------------|---|---|---|
| <ul style="list-style-type: none"> <li>• Male Connector (Housing)</li> <li>• Female Contacts</li> <li>• Push Lock</li> </ul> |                   | <p>Field Installable -----&gt;</p>  | <p>Field Installable -----&gt;</p>  | <p>Field Installable</p>                  |
| Current Rating (Code)  | Contacts <b>2</b> | Male Connector (M)<br>Female Contacts (F)   | Female Connector (F)<br>Male Contacts (M)   | Female Connector (F)<br>Male Contacts (M) |
| 5A (PLD)   | 02,03,04          | PLD- <b>2</b> BMFA-QL7001   | PLD- <b>2</b> BFMA-QL7001   | -   |

【Note】 Design and specification are subject to change without notice.

# Accessories

## Mini Size: 7/16"-28 UNS and 2 Points Lock Bayonet > T-Adaptor

Customization - Upon Request



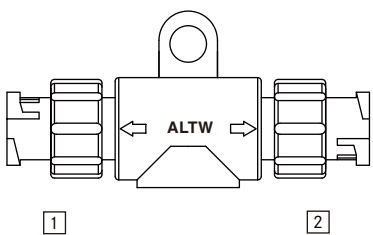
5 For connector 1  
6 For connector 2  
7 For connector 3

Choose Connector / Contacts Gender:  
M: Male + Male  
F: Female + Female

| Current Rating | Contacts<br>2 | Mating Style          | Connector 1<br>(Male Connector / Male Contacts) | Connector 1<br>(Female Connector / Female Contacts) | More options             |
|----------------|---------------|-----------------------|---|---|--------------------------|
|                |               |                       | Connector 2<br>(Male Connector / Male Contacts) | Connector 2<br>(Female Connector / Female Contacts) |                          |
|                |               |                       | Connector 3<br>(Male Connector / Male Contacts) | Connector 3<br>(Female Connector / Female Contacts) |                          |
| 5A             | 02,03         | Screw Thread          | AA- 2 2 2 -MMM-TS001                            | AA- 2 2 2 -FFF-TS001                                | AA- 2 2 2 - 5 6 7 -TS001 |
|                |               | 2 Points Lock Bayonet | AA- 2 2 2 -MMM-TL001                            | AA- 2 2 2 -FFF-TL001                                | AA- 2 2 2 - 5 6 7 -TL001 |
| 2A             | 04,05,06      | Screw Thread          | AA- 2 2 2 -MMM-TS001                            | AA- 2 2 2 -FFF-TS001                                | AA- 2 2 2 - 5 6 7 -TS001 |
|                |               | 2 Points Lock Bayonet | AA- 2 2 2 -MMM-TL001                            | AA- 2 2 2 -FFF-TL001                                | AA- 2 2 2 - 5 6 7 -TL001 |

## Mini Size: 7/16"-28 UNS and 2 Points Lock Bayonet > I-Adaptor

Customization - Upon Request



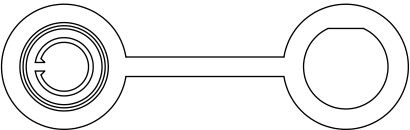
6 For connector 1  
7 For connector 2

Choose Connector / Contacts Gender:  
(M): Male + Male  
(F): Female + Female

| Current Rating        | Contacts<br>3        | Mating Style          | Connector 1<br>(Male Connector / Male Contacts) | Connector 1<br>(Female Connector / Female Contacts) | More options            |
|-----------------------|----------------------|-----------------------|---|---|-------------------------|
|                       |                      |                       | Connector 2<br>(Male Connector / Male Contacts) | Connector 2<br>(Female Connector / Female Contacts) |                         |
|                       |                      |                       | 5A  | 02,03   |                         |
| 2 Points Lock Bayonet | AA-00 3 3 -0MM-IL001 | AA-00 3 3 -0FF-IL001  |   |   | AA-00 3 3 -0 6 7 -IL001 |
| 2A                    | 04,05,06             | Screw Thread          | AA-00 3 3 -0MM-IS001                            | AA-00 3 3 -0FF-IS001                                | AA-00 3 3 -0 6 7 -IS001 |
|                       |                      | 2 Points Lock Bayonet | AA-00 3 3 -0MM-IL001                            | AA-00 3 3 -0FF-IL001                                | AA-00 3 3 -0 6 7 -IL001 |

### Mini Size > Dust Cap

■ Customization - Upon Request



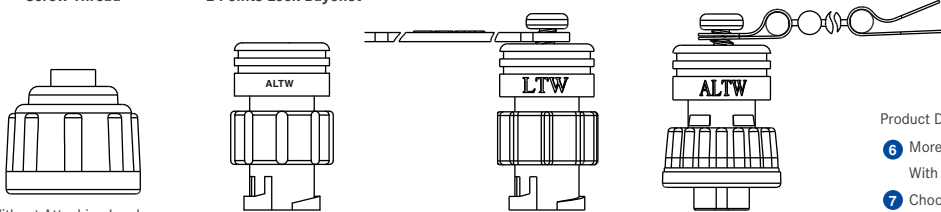
\* With Rubber Lead

| Size                      | Mating Pair | Mating Pair (Gender) | P/N          |
|---------------------------|-------------|----------------------|--------------|
| Mini Size<br>7/16"-28 UNS | Receptacle  | Male                 | CAP-DAAMDPC1 |

### Mini Size: 7/16"-28 UNS and 2 Points Lock Bayonet > Waterproof Cap

■ Customization - Upon Request

Screw Thread      2 Points Lock Bayonet



Without Attaching Leader      Without Attaching Leader      With Fish Line / Rubber Lead      With Chain

Product Details:

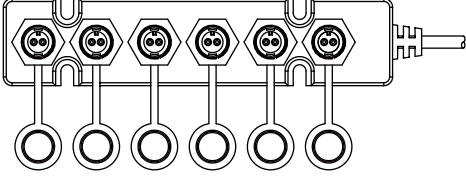
- 6 More to choose: None(A) / With Chain(B) / With Rubber Lead(C) / With Fish Line(D)
- 7 Choose 2 contacts(1) / 3 contacts(3) / 4~6 contacts(2) for male mating pair

| Size                      | Mating Pair           | Mating Style          | Mating Pair (Gender)                 | P/N             |
|---------------------------|-----------------------|-----------------------|--------------------------------------|-----------------|
| Mini Size<br>7/16"-28 UNS | Receptacle            | Screw Thread          | Male                                 | CAP-WAAMSP 6 1  |
|                           |                       | 2 Points Lock Bayonet | Male                                 | CAP-WAAML P 6 7 |
|                           |                       |                       | Female                               | CAP-WAAFL P 6 7 |
|                           | Overmolded with Cable | Screw Thread          | Male                                 | CAP-WAAMSMA 1   |
|                           |                       |                       | 2 Points Lock Bayonet                | Male            |
|                           |                       | 2 Points Lock Bayonet |                                      | Female          |
|                           |                       |                       | Receptacle and Overmolded with Cable | Screw Thread    |
|                           | 2 Points Lock Bayonet | Male                  |                                      |                 |
|                           |                       | Female                |                                      | CAP-WAAFLMA 7   |

【Note】 Design and specification are subject to change without notice.

Mini Size: 7/16"-28 UNS and 2 Points Lock Bayonet > Multi-Port with / without Cap

Customization - Upon Request



- 8 For connector 1
- 9 For connector 2
- 10 For connector 3
- 11 For connector 4
- 12 For connector 5
- 13 For connector 6

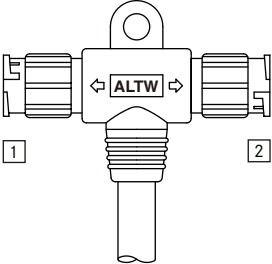
Choose Connector / Contacts Gender:  
**(M)**: Male + Male      **(H)**: Male + Female  
**(F)**: Female + Female    **(B)**: Female + Male

\* **XX**: Choose the cable length: 01-99 m / Cable 22+24+B PVC

| Current Rating | Contacts <sup>2</sup> | Mating Style          | Connector 1<br>(Male Connector / Male Contacts)   | Connector 1<br>(Male Connector / Female Contacts)   | More options  |
|----------------|-----------------------|-----------------------|---|---|---|
|                |                       |                       | Connector 2<br>(Male Connector / Male Contacts)   | Connector 2<br>(Male Connector / Female Contacts)   |   |
|                |                       |                       | Connector 3<br>(Male Connector / Male Contacts)   | Connector 3<br>(Male Connector / Female Contacts)   |   |
|                |                       |                       | Connector 4<br>(Male Connector / Male Contacts)   | Connector 4<br>(Male Connector / Female Contacts)   |   |
|                |                       |                       | Connector 5<br>(Male Connector / Male Contacts)   | Connector 5<br>(Male Connector / Female Contacts)   |   |
|                |                       |                       | Connector 6<br>(Male Connector / Male Contacts)   | Connector 6<br>(Male Connector / Female Contacts)   |   |
| 5A             | 02,03                 | Screw Thread          | A- <sup>2</sup> <sup>2</sup> <sup>2</sup> <sup>2</sup> <sup>2</sup> <sup>2</sup> <sup>2</sup> -MMMMMM-SAXX*                         | A- <sup>2</sup> <sup>2</sup> <sup>2</sup> <sup>2</sup> <sup>2</sup> <sup>2</sup> <sup>2</sup> -HHHHHH-SAXX* | A- <sup>2</sup> <sup>2</sup> <sup>2</sup> <sup>2</sup> <sup>2</sup> <sup>2</sup> - <sup>7</sup> <sup>8</sup> <sup>9</sup> <sup>10</sup> <sup>11</sup> <sup>12</sup> <sup>13</sup> -SAXX*              |
|                |                       | 2 Points Lock Bayonet | A- <sup>2</sup> <sup>2</sup> <sup>2</sup> <sup>2</sup> <sup>2</sup> <sup>2</sup> <sup>2</sup> -MMMMMM-LAXX*<br>A-222222-MMMMMM-LA01 | A- <sup>2</sup> <sup>2</sup> <sup>2</sup> <sup>2</sup> <sup>2</sup> <sup>2</sup> <sup>2</sup> -HHHHHH-LAXX* | A- <sup>2</sup> <sup>2</sup> <sup>2</sup> <sup>2</sup> <sup>2</sup> <sup>2</sup> <sup>2</sup> - <sup>7</sup> <sup>8</sup> <sup>9</sup> <sup>10</sup> <sup>11</sup> <sup>12</sup> <sup>13</sup> -LAXX* |
| 2A             | 04,05,06              | Screw Thread          | A- <sup>2</sup> <sup>2</sup> <sup>2</sup> <sup>2</sup> <sup>2</sup> <sup>2</sup> <sup>2</sup> -MMMMMM-SAXX*                         | A- <sup>2</sup> <sup>2</sup> <sup>2</sup> <sup>2</sup> <sup>2</sup> <sup>2</sup> <sup>2</sup> -HHHHHH-SAXX* | A- <sup>2</sup> <sup>2</sup> <sup>2</sup> <sup>2</sup> <sup>2</sup> <sup>2</sup> <sup>2</sup> - <sup>7</sup> <sup>8</sup> <sup>9</sup> <sup>10</sup> <sup>11</sup> <sup>12</sup> <sup>13</sup> -SAXX* |
|                |                       | 2 Points Lock Bayonet | A- <sup>2</sup> <sup>2</sup> <sup>2</sup> <sup>2</sup> <sup>2</sup> <sup>2</sup> <sup>2</sup> -MMMMMM-LAXX*                         | A- <sup>2</sup> <sup>2</sup> <sup>2</sup> <sup>2</sup> <sup>2</sup> <sup>2</sup> <sup>2</sup> -HHHHHH-LAXX* | A- <sup>2</sup> <sup>2</sup> <sup>2</sup> <sup>2</sup> <sup>2</sup> <sup>2</sup> <sup>2</sup> - <sup>7</sup> <sup>8</sup> <sup>9</sup> <sup>10</sup> <sup>11</sup> <sup>12</sup> <sup>13</sup> -LAXX* |



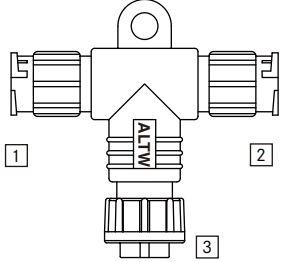
### Standard Size: 5/8" - 27 UNS and 2 Points Lock Bayonet > T-Cable

| <div style="display: flex; justify-content: space-between; align-items: center;"> <span>■ Customization - Upon Request</span>  <div style="text-align: right;"> <p>⑤ For connector 1<br/>⑥ For connector 2</p> <p>Choose Connector / Contacts Gender:<br/>(M): Male + Male<br/>(F): Female + Female<br/>(H): Male + Female<br/>(B): Female + Male</p> <p>* XX: Choose the cable length:01-99 m / PVC UL2464 Cable</p> </div> </div> |                      |                       |   |   |                    |
|--|----------------------|-----------------------|---|---|--------------------|
| Current Rating   | Contacts<br>②        | Mating Style          | Connector 1<br>(Male Connector / Male Contacts) | Connector 1<br>(Female Connector / Female Contacts) | More options       |
|  |                      |                       | Connector 2<br>(Male Connector / Male Contacts) | Connector 2<br>(Female Connector / Female Contacts) |                    |
| 10A  | 02,03,04             | Screw Thread          | BA-②②00-MM0-TSAXX*                              | BA-②②00-FF0-TSAXX*                                  | BA-②②00-⑤⑥0-TSAXX* |
|  |                      | 2 Points Lock Bayonet | BA-②②00-MM0-TLAXX*                              | BA-②②00-FF0-TLAXX*                                  | BA-②②00-⑤⑥0-TLAXX* |
| 5A   | 02,03,04,05,06,07,08 | Screw Thread          | BA-②②00-MM0-TSAXX*                              | BA-②②00-FF0-TSAXX*                                  | BA-②②00-⑤⑥0-TSAXX* |
|  |                      | 2 Points Lock Bayonet | BA-②②00-MM0-TLAXX*                              | BA-②②00-FF0-TLAXX*                                  | BA-②②00-⑤⑥0-TLAXX* |
| 2A   | 10,12                | Screw Thread          | BA-②②00-MM0-TSAXX*                              | BA-②②00-FF0-TSAXX*                                  | BA-②②00-⑤⑥0-TSAXX* |
|  |                      | 2 Points Lock Bayonet | BA-②②00-MM0-TLAXX*                              | BA-②②00-FF0-TLAXX*                                  | BA-②②00-⑤⑥0-TLAXX* |

【Note】 Design and specification are subject to change without notice.

Standard Size: 5/8" - 27 UNS and 2 Points Lock Bayonet > T-Adaptor

Customization - Upon Request



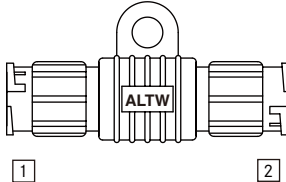
5 For connector 1  
6 For connector 2  
7 For connector 3

Choose Connector / Contacts Gender:  
(M): Male + Male  
(F): Female + Female  
(H): Male + Female  
(B): Female + Male

| Current Rating | Contacts<br>2                | Mating Style          | Connector 1<br>(Male Connector / Male Contacts) | Connector 1<br>(Female Connector / Female Contacts) | More options         |
|----------------|------------------------------|-----------------------|---|---|----------------------|
|                |                              |                       | Connector 2<br>(Male Connector / Male Contacts) | Connector 2<br>(Female Connector / Female Contacts) |                      |
|                |                              |                       | Connector 3<br>(Male Connector / Male Contacts) | Connector 3<br>(Female Connector / Female Contacts) |                      |
| 5A             | 02,03,04,<br>05,06,07,<br>08 | Screw Thread          | BA-2-2-2-MMM-TS001                              | BA-2-2-2-FFF-TS001                                  | BA-2-2-2-5-6-7-TS001 |
|                |                              | 2 Points Lock Bayonet | BA-2-2-2-MMM-TL001                              | BA-2-2-2-FFF-TL001                                  | BA-2-2-2-5-6-7-TL001 |
| 2A             | 10,12                        | Screw Thread          | BA-2-2-2-MMM-TS001                              | BA-2-2-2-FFF-TS001                                  | BA-2-2-2-5-6-7-TS001 |
|                |                              | 2 Points Lock Bayonet | BA-2-2-2-MMM-TL001                              | BA-2-2-2-FFF-TL001                                  | BA-2-2-2-5-6-7-TL001 |

Standard Size: 5/8" - 27 UNS and 2 Points Lock Bayonet > I-Adaptor

Customization - Upon Request

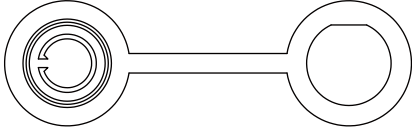


6 For connector 1  
7 For connector 2

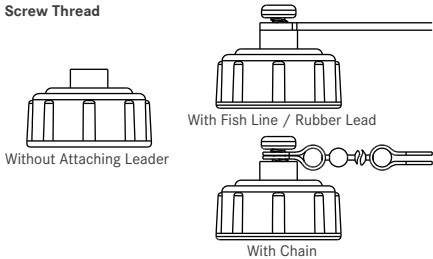
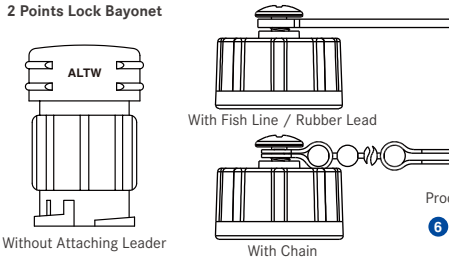
Choose Connector / Contacts Gender:  
(M): Male + Male  
(F): Female + Female  
(H): Male + Female  
(B): Female + Male

| Current Rating        | Contacts<br>3       | Mating Style          | Connector 1<br>(Male Connector / Male Contacts) | Connector 1<br>(Female Connector / Female Contacts) | More options          |
|-----------------------|---------------------|-----------------------|---|---|-----------------------|
|                       |                     |                       | Connector 2<br>(Male Connector / Male Contacts) | Connector 2<br>(Female Connector / Female Contacts) |                       |
|                       |                     |                       | 5A  | 02,03,04,<br>05,06,07,<br>08                        |                       |
| 2 Points Lock Bayonet | BA-00-3-3-0MM-IL001 | BA-00-3-3-0FF-IL001   |   |   | BA-00-3-3-0-6-7-IL001 |
| 2A                    | 10,12               | Screw Thread          | BA-00-3-3-0MM-IS001                             | BA-00-3-3-0FF-IS001                                 | BA-00-3-3-0-6-7-IS001 |
|                       |                     | 2 Points Lock Bayonet | BA-00-3-3-0MM-IL001                             | BA-00-3-3-0FF-IL001                                 | BA-00-3-3-0-6-7-IL001 |

### Standard Size > Dust Cap

| <p>■ Customization - Upon Request</p>  <p>* With Rubber Lead</p> |                       |                      |   |
|---|-----------------------|----------------------|---|
| Size  | Mating Pair           | Mating Pair (Gender) | P/N   |
| Standard Size   | Receptacle            | Male                 | CAP-DABMDPC 1<br>CAP-DABMDPC 2<br>CAP-DABMDPC 3 |
|   |                       | Female               | -   |
|   | Overmolded with Cable | Male                 | CAP-DABMDCC 1<br>CAP-DABMDCC 2                  |
|   |                       | Female               | CAP-DABFDCC 1                                   |

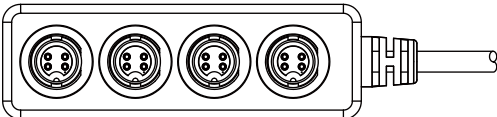
### Standard Size: 5/8" - 27 UNS and 2 Points Lock Bayonet > Waterproof Cap

| <p>■ Customization - Upon Request</p> <p><b>Screw Thread</b></p>  <p><b>2 Points Lock Bayonet</b></p>  <p>Product Details:<br/> <span style="border: 1px solid black; border-radius: 50%; padding: 2px;">6</span> More to choose: None(A) / With Chain(B) / With Rubber Lead(C) / With Fish Line(D)</p> |                       |                       |                       |  |
|--|-----------------------|-----------------------|-----------------------|--|
| Size   | Mating Pair           | Mating Style          | Mating Pair (Gender)  | P/N  |
| Standard Size<br>5/8"-27 UNS   | Receptacle            | Screw Thread          | Male                  | CAP-WABMSP <span style="border: 1px solid black; border-radius: 50%; padding: 2px;">6</span> 1   |
|  |                       |                       | Female                | CAP-WABFSP <span style="border: 1px solid black; border-radius: 50%; padding: 2px;">6</span> 1   |
|  |                       | 2 Points Lock Bayonet | Male                  | CAP-WABMLP <span style="border: 1px solid black; border-radius: 50%; padding: 2px;">6</span> <span style="border: 1px solid black; border-radius: 50%; padding: 2px;">7</span> 1 |
|  |                       |                       | Female                | CAP-WABFLP <span style="border: 1px solid black; border-radius: 50%; padding: 2px;">6</span> <span style="border: 1px solid black; border-radius: 50%; padding: 2px;">7</span> 1 |
|  | Overmolded with Cable | Screw Thread          | Male                  | CAP-WABMSMA 1  |
|  |                       |                       | 2 Points Lock Bayonet | Male   |
|  |                       | Screw Thread          |                       | Female   |
|  |                       |                       | 2 Points Lock Bayonet | Male   |
| Receptacle and Overmolded with Cable   | 2 Points Lock Bayonet | Male                  |                       | CAP-WABMLMA 1  |
|  |                       | Female                | CAP-WABMLMA 1         |  |

[Note] Design and specification are subject to change without notice.

Standard Size: 5/8" - 27 UNS and 2 Points Lock Bayonet > Multi-Port

Customization - Upon Request



- 6 For connector 1
- 7 For connector 2
- 8 For connector 3
- 9 For connector 4


Choose Connector / Contacts Gender:  
 (M): Male + Male  
 (F): Female + Female

\* XX: Choose the cable length: 01-99 m / Cable 22+24+B PVC

| Current Rating | Contacts<br>2                | Mating Style          | Connector 1<br>(Male Connector / Male Contacts) | Connector 1<br>(Male Connector / Female Contacts) | More options      |
|----------------|------------------------------|-----------------------|---|---|-------------------|
|                |                              |                       | Connector 2<br>(Male Connector / Male Contacts) | Connector 2<br>(Male Connector / Female Contacts) |                   |
|                |                              |                       | Connector 3<br>(Male Connector / Male Contacts) | Connector 3<br>(Male Connector / Female Contacts) |                   |
|                |                              |                       | Connector 4<br>(Male Connector / Male Contacts) | Connector 4<br>(Male Connector / Female Contacts) |                   |
| 10A            | 02,03,04                     | Screw Thread          | B-2222-MMMM-SAXX*                               | B-2222-HHHH-SAXX*                                 | B-2222-6789-SAXX* |
|                |                              | 2 Points Lock Bayonet | B-2222-MMMM-LAXX*                               | B-2222-HHHH-LAXX*<br>B-040404-HHHH-SAXX*          | B-2222-6789-LAXX* |
| 5A             | 02,03,04,<br>05,06,07,<br>08 | Screw Thread          | B-2222-MMMM-SAXX*                               | B-2222-HHHH-SAXX*                                 | B-2222-6789-SAXX* |
|                |                              | 2 Points Lock Bayonet | B-2222-MMMM-LAXX*                               | B-2222-HHHHHH-LA*<br>B-040404-HHHH-SAXX*          | B-2222-6789-LAXX* |
| 2A             | 10, 12                       | Screw Thread          | B-2222-MMMM-SAXX*                               | B-2222-HHHH-SAXX*                                 | B-2222-6789-SAXX* |
|                |                              | 2 Points Lock Bayonet | B-2222-MMMM-LAXX*                               | B-2222-HHHH-LAXX*                                 | B-2222-6789-LAXX* |

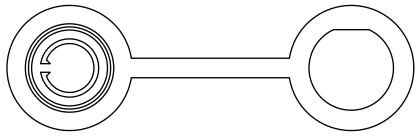
Standard Size > Wrench

Customization - Upon Request

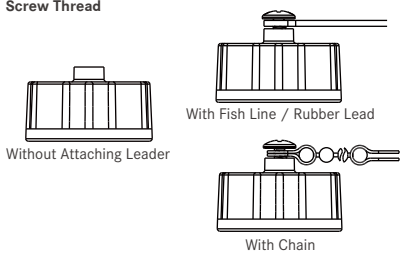
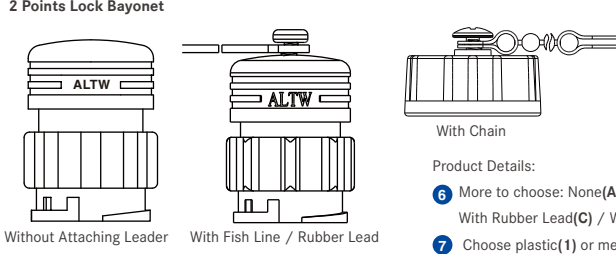
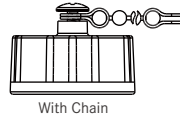


TOL-171801

### Middle Size > Dust Cap

| <p>■ Customization – Upon Request</p>  <p>* With Rubber Lead</p> |                       |                      |                                |
|---|-----------------------|----------------------|--------------------------------|
| Size  | Mating Pair           | Mating Pair (Gender) | P/N                            |
| Middle Size   | Receptacle            | Male                 | CAP-DACMDPC 1<br>CAP-DACMDPC 2 |
|   | Overmolded with Cable | Female               | CAP-DACFDCC 1                  |

### Middle Size: 13/16"-28 UNS and 2 Points Lock Bayonet > Waterproof Cap

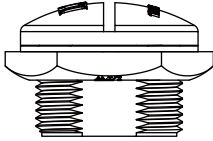
| <p>■ Customization – Upon Request</p> <p><b>Screw Thread</b></p>  <p><b>2 Points Lock Bayonet</b></p>   <p>Without Attaching Leader      Without Attaching Leader      With Chain</p> <p>Product Details:<br/> <b>6</b> More to choose: None(A) / With Chain(B) / With Rubber Lead(C) / With Fish Line(D)<br/> <b>7</b> Choose plastic(1) or metal(2) items</p> |                                      |                       |                       |                              |
|---|--------------------------------------|-----------------------|-----------------------|------------------------------|
| Size  | Mating Pair                          | Mating Style          | Mating Pair (Gender)  | P/N                          |
| Middle Size<br>13/16"-28 UNS  | Receptacle                           | Screw Thread          | Male                  | CAP-WACMSP <b>6</b> <b>7</b> |
|   |                                      | 2 Points Lock Bayonet | Male                  | CAP-WACMLP <b>6</b> 1        |
|   | Female                               |                       | CAP-WACFLP <b>6</b> 1 |                              |
|   | Overmolded with Cable                | Screw Thread          | Male                  | CAP-WACMSMA <b>7</b>         |
|   |                                      | 2 Points Lock Bayonet | Male                  | CAP-WACMLMA1                 |
|   | Female                               |                       | CAP-WACFLMA1          |                              |
|   | Receptacle and Overmolded with Cable | Screw Thread          | Male                  | CAP-WACMSMA <b>7</b>         |
|   |                                      | 2 Points Lock Bayonet | Male                  | CAP-WACMLMA1                 |
| Female  | CAP-WACFLMA1                         |                       |                       |                              |

[Note] Design and specification are subject to change without notice.

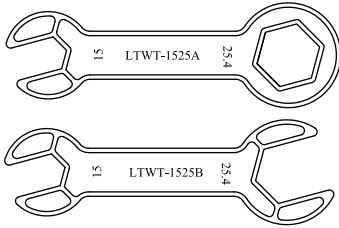
**Middle Size**

Dummy | Wrench

∟ **Middle Size: 13/16"-28 UNS > Dummy**

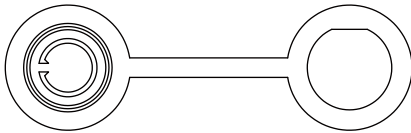
| <p>■ Customization - Upon Request</p>  |                     |              |              |
|---|---------------------|--------------|--------------|
| Size  | Mating Pair         | Mating Style | P/N          |
| 13/16"-28 UNS   | Receptacle (Female) | Screw Thread | CAP-CACFSBA1 |

∟ **Middle Size > Wrench**

|  |
|--|
| <p>■ Customization - Upon Request</p>  |
| <p>TOL-152501<br/>TOL-152502</p>   |

### Large Size > Dust Cap

■ Customization - Upon Request



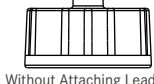
\* With Rubber Lead

| Size       | Mating Pair | Mating Pair (Gender) | P/N           |
|------------|-------------|----------------------|---------------|
| Large Size | Receptacle  | Male                 | CAP-DADMDPC 1 |

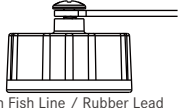
### Large Size: 1"-20 UNEF and 2 Points Lock Bayonet > Waterproof Cap

■ Customization - Upon Request

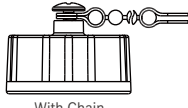
Screw Thread



Without Attaching Leader




With Fish Line / Rubber Lead

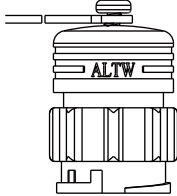


With Chain

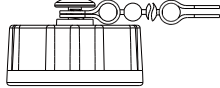
2 Points Lock Bayonet



Without Attaching Leader



With Fish Line / Rubber Lead



With Chain

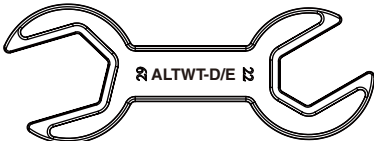
Product Details:

- 6 More to choose: None (A) / With Chain (B) / With Rubber Lead (C) / With Fish Line (D)
- 7 Choose 2-31 Contacts(W/O 18) (1) / 18 Contacts (2) for female mating pair

| Size                     | Mating Pair                          | Mating Style          | Mating Pair (Gender) | P/N            |
|--------------------------|--------------------------------------|-----------------------|----------------------|----------------|
| Large Size<br>1"-20 UNEF | Receptacle                           | Screw Thread          | Male                 | CAP-WADMSP 6 1 |
|                          |                                      | 2 Points Lock Bayonet | Male                 | CAP-WADMLP 6 1 |
|                          |                                      | Female                | CAP-WADFLP 6 7       |                |
|                          | Receptacle and Overmolded with Cable | Screw Thread          | Male                 | CAP-WADMSMA 1  |
|                          |                                      | 2 Points Lock Bayonet | Male                 | CAP-WADMLMA 1  |
|                          |                                      | Female                | CAP-WADFLMA 7        |                |

### Large Size > Wrench

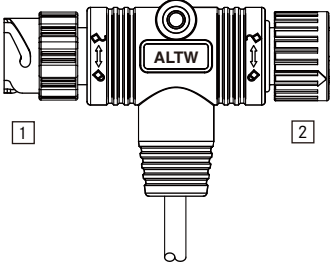
■ Customization - Upon Request



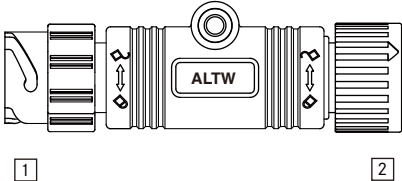
TOL-222901

[Note] Design and specification are subject to change without notice.

Other Size: 3 Points Lock Bayonet > T-Cable (10A+5A)

| <p>Customization - Upon Request</p>  <p style="text-align: right;">* XX: Choose the cable length:01-99 m / PVC UL2464 Cable</p> |          |                       |   |   |   |
|--|----------|-----------------------|---|---|---|
| Current Rating   | Contacts | Mating Style          | Connector 1<br>(Male Connector / Male Contacts) | Connector 1<br>(Female Connector / Female Contacts) | Connector 1<br>(Male Connector / Male Contacts)     |
|  |          |                       | Connector 2<br>(Male Connector / Male Contacts) | Connector 2<br>(Female Connector / Female Contacts) | Connector 2<br>(Female Connector / Female Contacts) |
| 5A   | 08       | 3 Points Lock Bayonet | GA-080800-MM0-TTAXX*                            | GA-080800-FF0-TTAXX*                                | GA-080800-MF0-TTAXX*                                |


Other Size: 3 Points Lock Bayonet > I-Adaptor (10A+5A)

| <p>Customization - Upon Request</p>  |          |                       |   |   |   |
|--|----------|-----------------------|---|---|---|
| Current Rating   | Contacts | Mating Style          | Connector 1<br>(Male Connector / Male Contacts) | Connector 1<br>(Female Connector / Female Contacts) | Connector 1<br>(Female Connector / Female Contacts) |
|  |          |                       | Connector 2<br>(Male Connector / Male Contacts) | Connector 2<br>(Female Connector / Female Contacts) | Connector 1<br>(Male Connector / Male Contacts)     |
| 5A   | 08       | 3 Points Lock Bayonet | GA-000808-0MM-IT001                             | GA-000808-OFF-IT001                                 | GA-000808-0FM-IT001                                 |



Other Size > Dust Cap

■ Customization - Upon Request

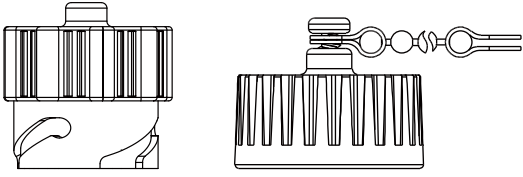


\* Mix Size  
\* With Rubber Lead

| Size           | Mating Pair | Mating Pair (Gender) | P/N          |
|----------------|-------------|----------------------|--------------|
| Mix Size 12-5A | Receptacle  | Male                 | CAP-DPLMDPC1 |

Other Size: 3 Points Lock Bayonet > Waterproof Cap

■ Customization - Upon Request



\* Mix Size      With Chain

Product Details:  
 ⑥ Choose the lead: None (A) / With Chain (B) / With Rubber Lead (C) / With Fish Line (D)

| Size   | Mating Pair                          | Mating Style          | Mating Pair (Gender) | P/N            |
|--|--------------------------------------|-----------------------|----------------------|----------------|
| Mix Size<br>(Between Standard & Middle Size) | Receptacle                           | 3 Points Lock Bayonet | Male                 | CAP-WEBMTP ⑥ 1 |
|  |                                      |                       | Female               | CAP-WEBFTP ⑥ 1 |
|  | Receptacle and Overmolded with Cable | 3 Points Lock Bayonet | Male                 | CAP-WEBMTMA1   |
|  |                                      |                       | Female               | CAP-WEBFTMA1   |

【Note】 Design and specification are subject to change without notice.

**Amphenol LTW Technology Co., Ltd.**

5F-3, No.51, Sec.4, Zhongyang Rd., Tucheng Dist., New Taipei City 236, Taiwan  
Telephone: +886-2-77416888 Fax: +886-2-77416999  
[www.amphenolltw.com](http://www.amphenolltw.com)

**Kunshan Factory**

No. 62, DaTong Road, Development Zone, Kunshan City, JiangSu Province, 215333 China  
Telephone: +86-512-5761-0501  
Fax: : +86-512-5761-0515

**For further information, please contact :**

Sales & Marketing Department | Email : [sales@ltw-tech.com](mailto:sales@ltw-tech.com)