

NOTES:

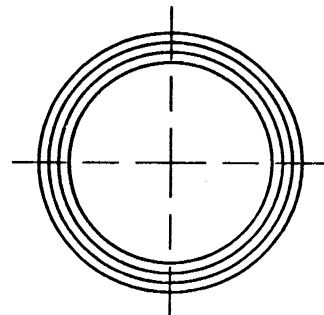
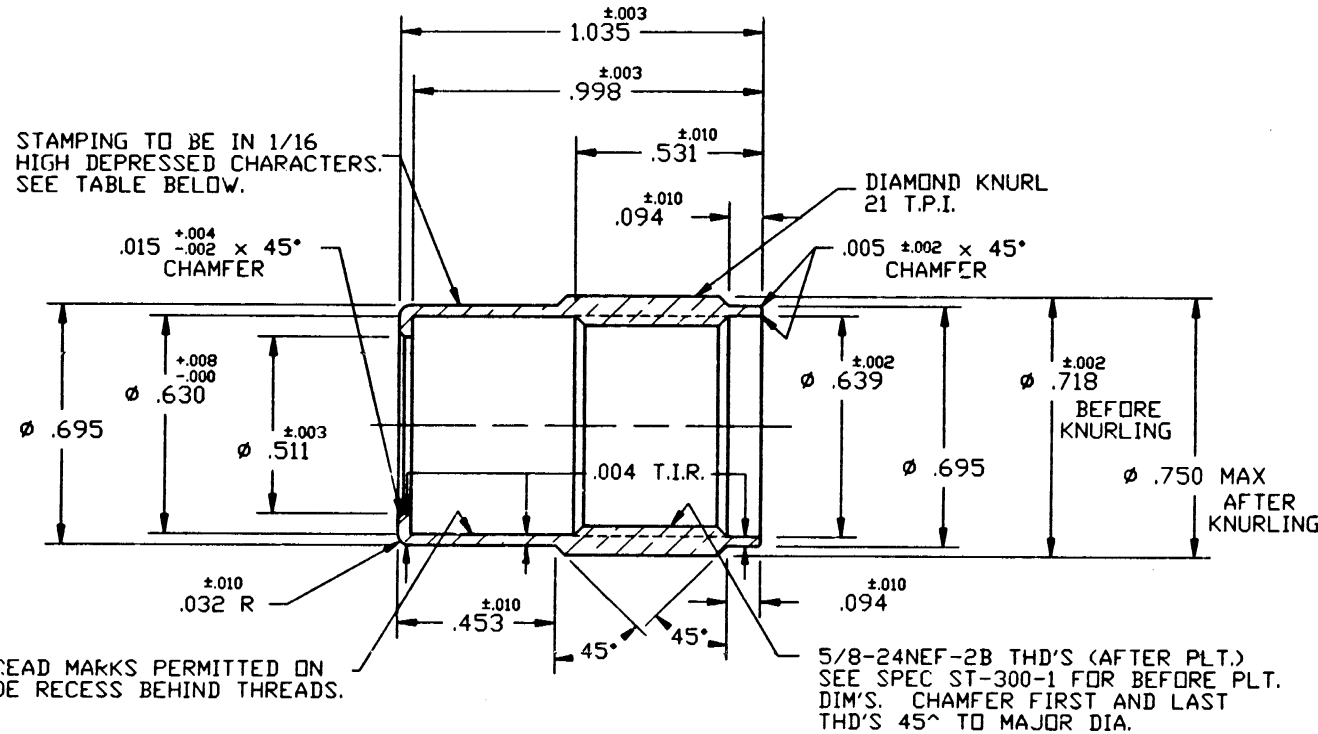
1. SURFACE AREA 5.429 SQ INCHES
4. DO NOT SCALE THIS DRAWING.
5. REMOVE ALL BURRS, BREAK SHARP EDGES AND CORNERS .005 MAXIMUM, UNLESS OTHERWISE SPECIFIED.
6. UNLESS OTHERWISE SPECIFIED, ALL DIMENSIONS ARE AFTER PLATING.

O.S.

83-132

REVISIONS

| DRAWING NO.       | REV | DESCRIPTION                                                                            | DATE     | ECO   | APPR   |
|-------------------|-----|----------------------------------------------------------------------------------------|----------|-------|--------|
| 83-132            |     | OFFICIAL ENG. RELEASE TO MFG.                                                          |          |       |        |
| THIRD ANGLE PROJ. | ⊕   |                                                                                        |          |       |        |
|                   | AZ  | REDRAWN WAS 'C' SIZE; DEL NOTES 2 & 3 ALSO FINISH COL; ADD NOTES 4 THRU 6; ADD DASH 16 | 11/18/94 | 40309 | CPM/DR |



| PART No. | STAMPING                                                                                | PART No.  | STAMPING                                                                           |
|----------|-----------------------------------------------------------------------------------------|-----------|------------------------------------------------------------------------------------|
| 83-132-1 | NONE                                                                                    | 83-132-8  | AMPHENOL 83-822<br>2 SPACES MIN                                                    |
| 83-132-2 | AMPHENOL 83-1SP-1050<br>2 SPACES MIN<br>74868 PL-259 49190<br>2 SPACES MIN 2 SPACES MIN | 83-132-9  | AMPHENOL 83-822-1003<br>1 SPACE                                                    |
| 83-132-3 | PL259 GL228<br>2 SPACES MIN                                                             | 83-132-10 | AMPHENOL 83-886<br>1 SPACE                                                         |
| 83-132-4 | PL259 49190<br>2 SPACES MIN                                                             | 83-132-11 | AMPHENOL 83-102<br>1 SPACE                                                         |
| 83-132-5 | 20983-PL-259                                                                            | 83-132-12 | NONE                                                                               |
| 83-132-6 | AMPHENOL 83-1SP-H<br>2 SPACES MIN<br>74868 PL-259 49190<br>2 SPACES MIN 2 SPACES MIN    | 83-132-13 | AMPHENOL 83-1SP<br>2 SPACES MIN<br>74868 PL-259 49190<br>2 SPACES MIN 2 SPACES MIN |
| 83-132-7 | AMPHENOL 83-1SP-1007<br>1 SPACE                                                         | 83-132-14 | K40 ELECTRONICS<br>2 SPACES MIN                                                    |
|          |                                                                                         | 83-132-15 | AMPHENOL                                                                           |
|          |                                                                                         | 83-132-16 | AMPHENOL PL-259                                                                    |

UNLESS OTHERWISE SPECIFIED, DIMENSIONS ARE IN INCHES AND TOLERANCES ARE:  
 2 PLACE DECIMAL ±.015 (0,381 mm)  
 3 PLACE DECIMAL ±.005 (0,127 mm)  
 ANGLES ± 1°

NOTICE - These drawings, specifications or other data (1) are, and remain the property of Amphenol Corp. (2) must be returned upon request; and (3) are confidential and not to be disclosed to any person other than those to whom they are given by Amphenol Corp. The furnishing of these drawings, specifications, or other data by Amphenol Corp., or to any other person to anyone for any purpose is not to be regarded by implication or otherwise in any manner licensing, granting rights or permitting such holder or any other person to manufacture, use or sell any product, process or design, patented or otherwise, that may in any way be related to or disclosed by said drawings, specifications, or other data.

MATERIAL  
 BRASS  
 QQ-B-626  
 COMP. 22, 1/2H

REFERENCE  
 SC-D-5940-D

DRAWN T. ALBERA DATE 1/17/89  
 ENGINEER D. ROYCE DATE 1/31/89  
 APPROVED D. ROYCE DATE 1/31/89

TITLE  
 COUPLING NUT

Amphenol  
 Amphenol Corporation  
 RF/Microwave Operations  
 Danbury, Conn. U.S.A. 06810

SCALE: 2:1 SHEET OF

CAD FILE H:\DEPT611\HARD\CNUT\083\132  
 CODE ID 74868 DWG SIZE B DRAWING NO. 83-132 ISSUE AZ