

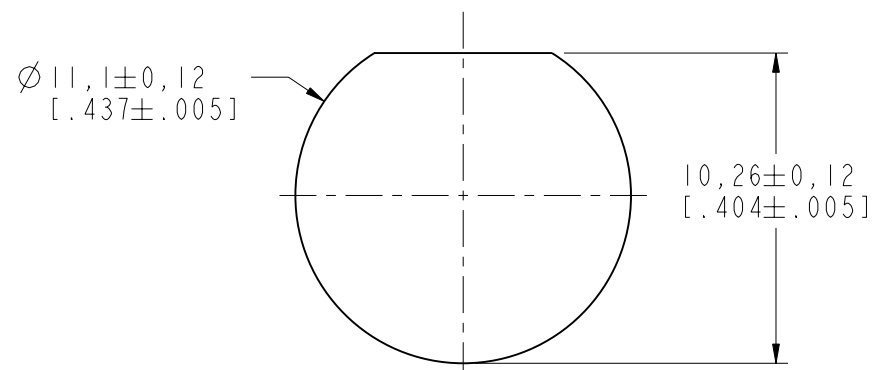
NOTES:

1. MATERIALS AND FINISHES:
 BODY -BRASS, NICKEL PLATING
 CONTACT - BeCu , SILVER PLATING
 INSULATOR - PTFE
2. ELECTRICAL:
 A. IMPEDANCE: 50 OHM
 B. FREQUENCY RANGE: DC - 2 GHz
3. MECHANICAL:
 A. DURABILITY: 500 CYCLES MIN.
 B. TEMPERATURE RANGE: -65° C TO +165° C
4. PACKAGING:
 A. QUANTITY: SINGLE PACK
 B. MARKING: BAG TO BE MARKED
 "AMPHENOL RF, 5575, AND DATE CODE"
5. MAX. PANEL THICKNESS=3.96mm

THIRD ANGLE PROJ.

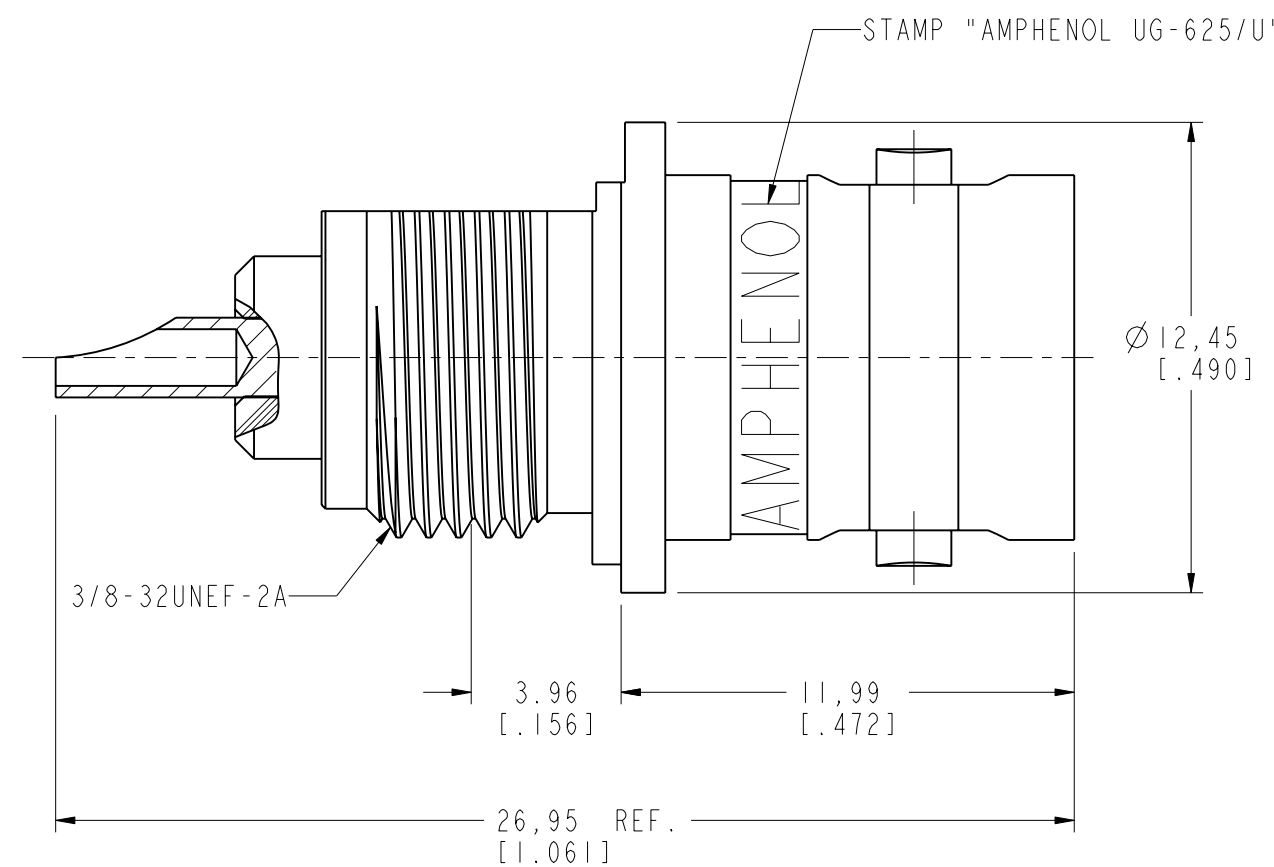
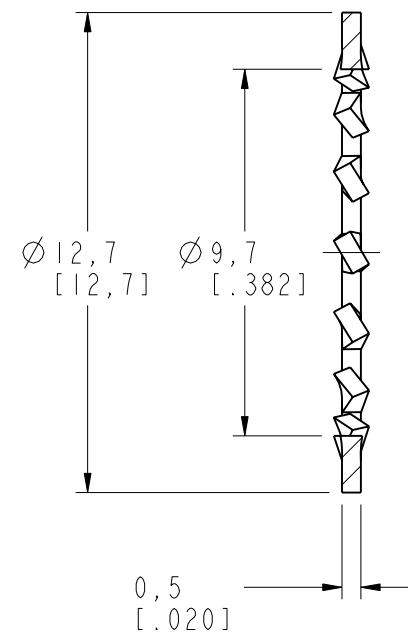
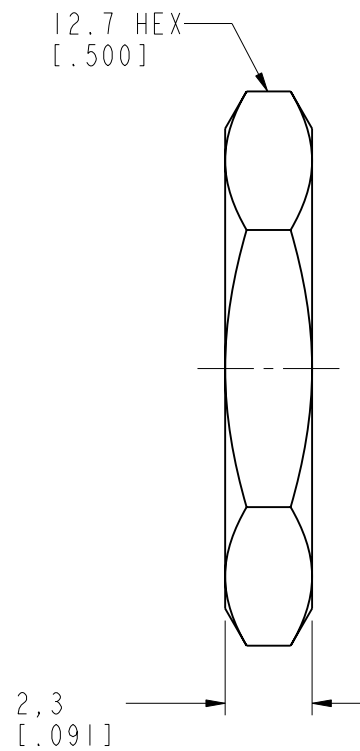
REVISIONS

REV	DESCRIPTION	DATE	ECO	APPR
A	OFFICIAL ENG. RELEASE TO MFG.	3-7-63	8004	
Y	ADD SHEET 2	22-Oct-12	49076	DH



RECOMMENDED MOUNTING HOLE DIMENSIONS

SCALE 4.000



CUSTOMER OUTLINE DRAWING

ALL OTHER SHEETS ARE FOR INTERNAL USE ONLY

UNLESS OTHERWISE SPECIFIED, DIMENSIONS ARE IN METRIC AND TOLERANCES ARE: <0.5mm ± 0.05mm 0.5 - 6mm ± 0.1mm 6 - 30mm ± 0.2mm 30 - 120mm ± 0.3mm ANGLES ± 1°	MATERIAL	DRAWN R. MAO	DATE 14-Jun-12	TITLE BNC BULKHEAD RECEPT. JACK FRONT MOUNT (FOR UG-625/U)	Amphenol RF www.amphenolrf.com
	REFERENCE	ENGINEER S. LI	DATE 14-Jun-12		
NOTICE - These drawings, specifications, or other data (1) are, and remain the property of Amphenol corp. (2) must be returned upon request; and (3) are confidential and not to be disclosed to any person other than those to whom they are given by Amphenol Corp. the furnishing of these drawings, specifications, or other data by Amphenol Corp., or to any other person to anyone for any purpose is not to be regarded by implication or otherwise in any manner licensing, granting rights to permitting such holder or any other sperson to manufacture, use or sell any product, process or design, patented or otherwsie, that may in any way be related to or disclosed by said drawings, specifications, or other data.	CONFIGURATION LEVEL:	APPROVED S. HSIEH	DATE 14-Jun-12	SCALE: 5.0:1.0	SHEET 2 OF 2
	FINISH	CAD FILE	DWG SIZE B	REV Y	ITEM NO. 5575