

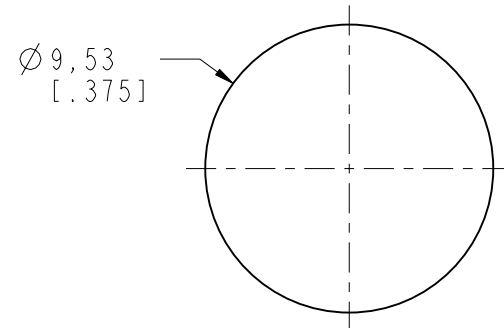
NOTES:

1. MATERIALS AND FINISHES:
 BODY - BRASS, NICKEL PLATING
 CONTACT - BERYLLIUM COPPER, SILVER PLATING
 INSULATOR - PTFE, NATURAL
2. ELECTRICAL:
 A. IMPEDANCE: 50 OHM
 B. FREQUENCY RANGE: DC - 4 GHz
 C. DIELECTRIC WITHSTANDING VOLTAGE: 1500 VRMS, MIN.
3. MECHANICAL:
 A. DURABILITY: 500 CYCLES MIN.
 B. TEMPERATURE RANGE: -65° C TO +165° C
4. CUSTOMER NOTE: SOLDER CONTACT TO CABLE

THIRD ANGLE PROJ.

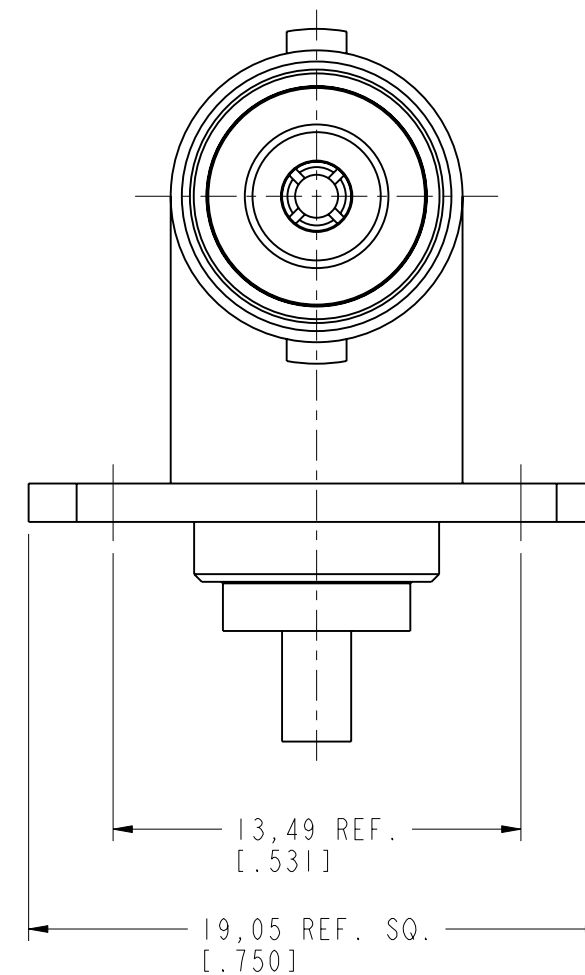
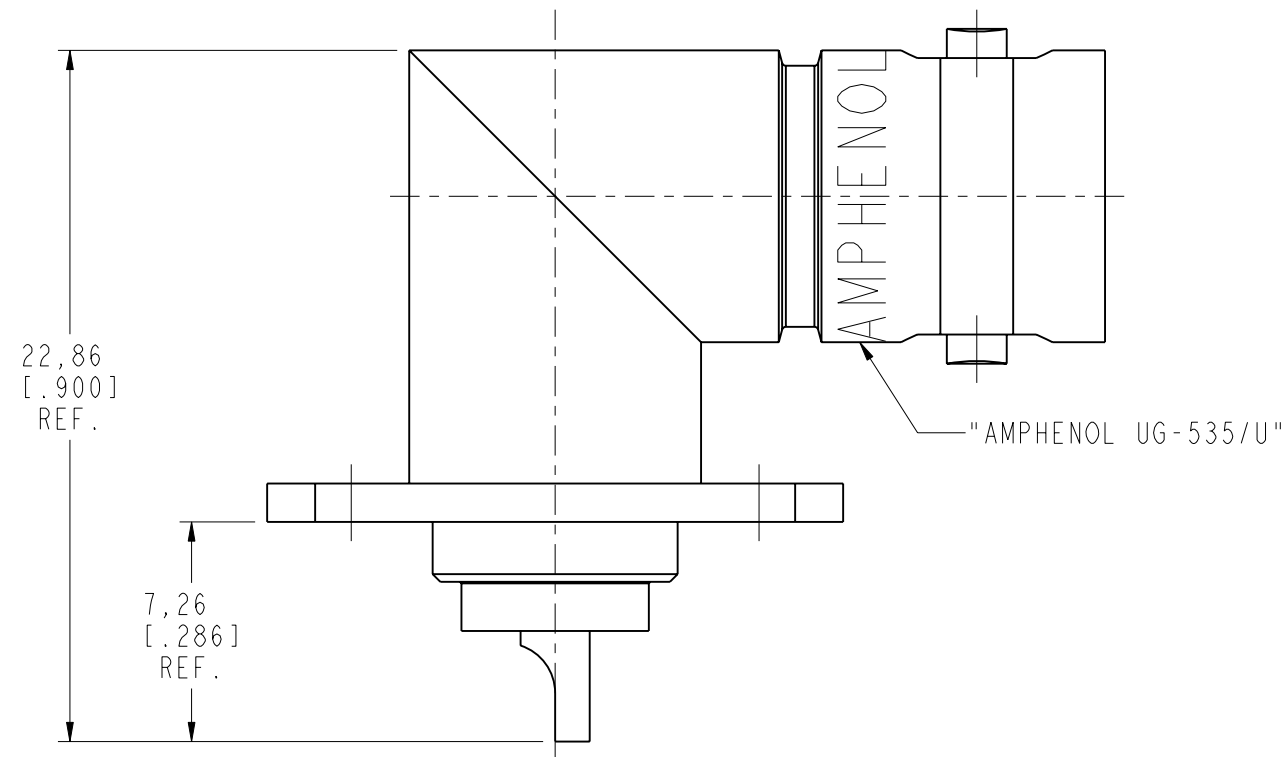
REVISIONS

REV	DESCRIPTION	DATE	ECO	APPR
	OFFICIAL ENG. RELEASE TO MFG.			
T	ADD SHEET 2	26-Oct-12	49077	DH

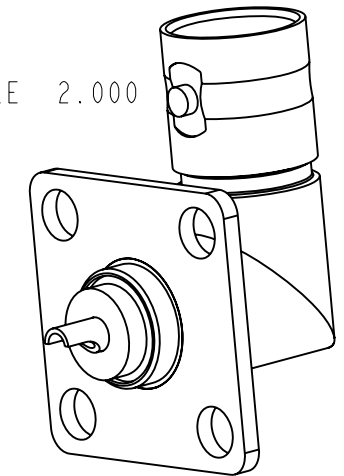


RECOMMENDED PANEL HOLE

SCALE 4.000



SCALE 2.000



CUSTOMER OUTLINE DRAWING

ALL OTHER SHEETS ARE FOR INTERNAL USE ONLY

<p>UNLESS OTHERWISE SPECIFIED, DIMENSIONS ARE IN METRIC AND TOLERANCES ARE: <0.5mm ±0.05mm 0.5 - 6mm ±0.1mm 6 - 30mm ±0.2mm 30 - 120mm ±0.3mm ANGLES ±1°</p> <p>NOTICE - These drawings, specifications, or other data (1) are, and remain the property of Amphenol corp. (2) must be returned upon request; and (3) are confidential and not to be disclosed to any person other than those to whom they are given by Amphenol Corp. the furnishing of these drawings, specifications, or other data by Amphenol Corp., or to any other person to anyone for any purpose is not to be regarded by implication or otherwise in any manner licensing, granting rights to permitting such holder or any other person to manufacture, use or sell any product, process or design, patented or otherwise, that may in any way be related to or disclosed by said drawings, specifications, or other data.</p>	MATERIAL	DRAWN R. MAO	DATE 27-Jun-12	TITLE TYPE BNC ANGLE RECEPTACLE UG-535/U	Amphenol RF www.amphenolrf.com	
	REFERENCE	ENGINEER D. ROYCE	DATE 8-1-91			
	CONFIGURATION LEVEL:	APPROVED S. HSIEH	DATE 27-Jun-12	SCALE: 4.0:1.0	SHEET 2 OF 2	DRAWING NO. 5675
	FINISH	CAD FILE		DWG SIZE B	REV T	ITEM NO. 5675 PART NO. 5675