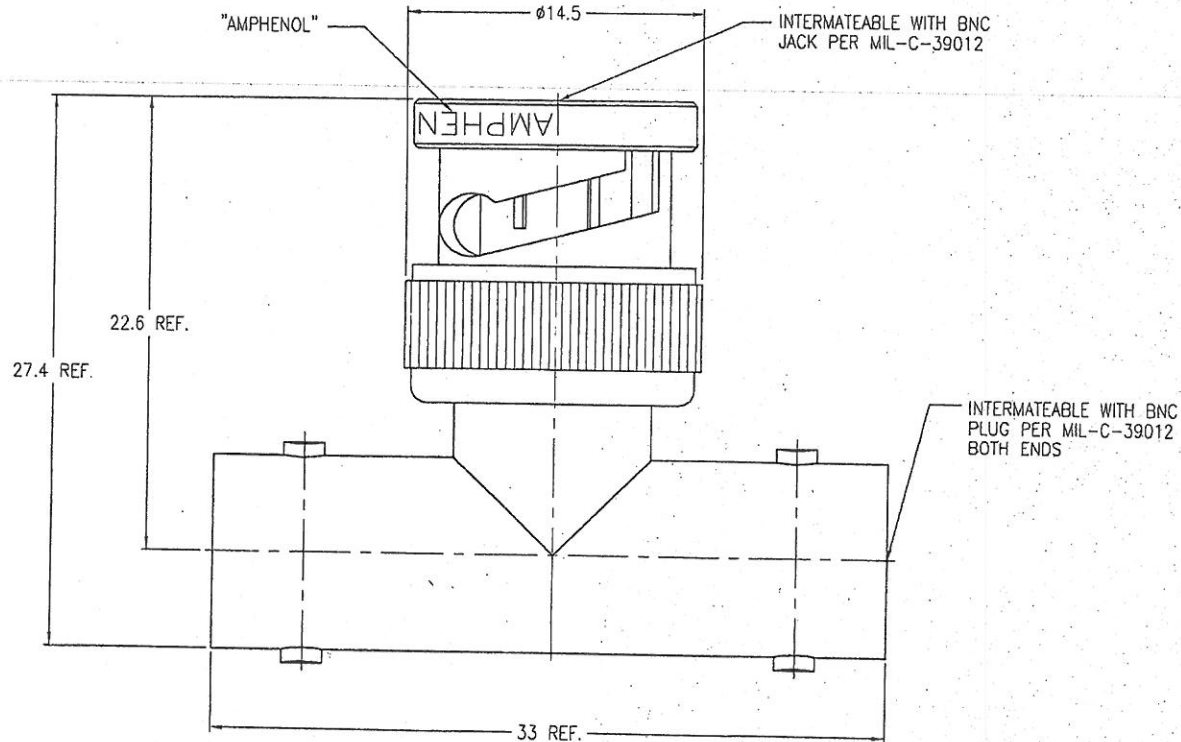


- NOTES:
- MATERIALS AND FINISHES(PLATING THICKNESS IN MICRO-INCHES):
 BODY - BRASS & ZINC DIECAST, NICKEL PLATING
 CONTACT - BRASS & PHOSPHOR BRONZE, GOLD PLATING
 INSULATOR - DELRIN, NATURAL
 - ELECTRICAL:
 A. IMPEDANCE: 50 OHM
 B. FREQUENCY RANGE: DC 0-4 GHz
 C. DIELECTRIC WITHSTANDING VOLTAGE: 1500 VRMS, MIN.
 - MECHANICAL:
 A. DURABILITY: 500 CYCLES MIN.
 B. TEMPERATURE RANGE: - 40°C to +85°C

THIRD ANGLE PROJ.

REVISIONS

REV	DESCRIPTION	DATE	ECO	APPR
D1	ADDED DRAWING NO.\N/A	24-Feb-00		
E	STAMP FOR ITEM 1 WAS CHANGED\RD-DW080528D1T	27-Jun-08		SH
F	SEE SHEET 1	6-Jun-10	47921	



CUSTOMER OUTLINE DRAWING

ALL OTHER SHEETS ARE FOR INTERNAL USE ONLY

UNLESS OTHERWISE SPECIFIED, DIMENSIONS ARE IN METRIC AND TOLERANCES ARE:
 <0.5mm ±0.05mm 0.5 - 6mm ±0.1mm 6 - 30mm ±0.2mm 30 - 120mm ±0.3mm ANGLES ±1°

NOTICE - These drawings, specifications, or other data (1) are, and remain the property of Amphenol Corp. (2) must be returned upon request; and (3) are confidential and not to be disclosed to any person other than those to whom they are given by Amphenol Corp. The furnishing of these drawings, specifications, or other data by Amphenol Corp., or to any other person in any manner licensing, granting rights or permitting such holder or any other person to manufacture, use or sell any product, process or design, patented or otherwise, that may in any way be related to or disclosed by said drawings, specifications, or other data.

MATERIAL	DRAWN T.DENG	DATE 06-Jan-10	TITLE BNC TEE ADAPTOR	Amphenol RF	
REFERENCE	ENGINEER C.WANG	DATE 06-Jan-10	JACK - PLUG - JACK	Danbury CT USA, Tainan Taiwan, Shenzhen China www.amphenolrf.com	
FINISH	APPROVED S.HSIEH	DATE 06-Jan-10	UG274A/U TYPE, 50 OHM	DRAWING NO.	31-208-ND3G-50
	CAD FILE F:\DWG\APL\CNPD\RFX\31\208\ND3G-FSZ		SCALE: 3/1	SHEET	2 OF 2
			DWG SIZE B	CODE ID 74868	REV F
				ITEM NO.	31-208-ND3G-50
				PART NO.	31-208-RFX