

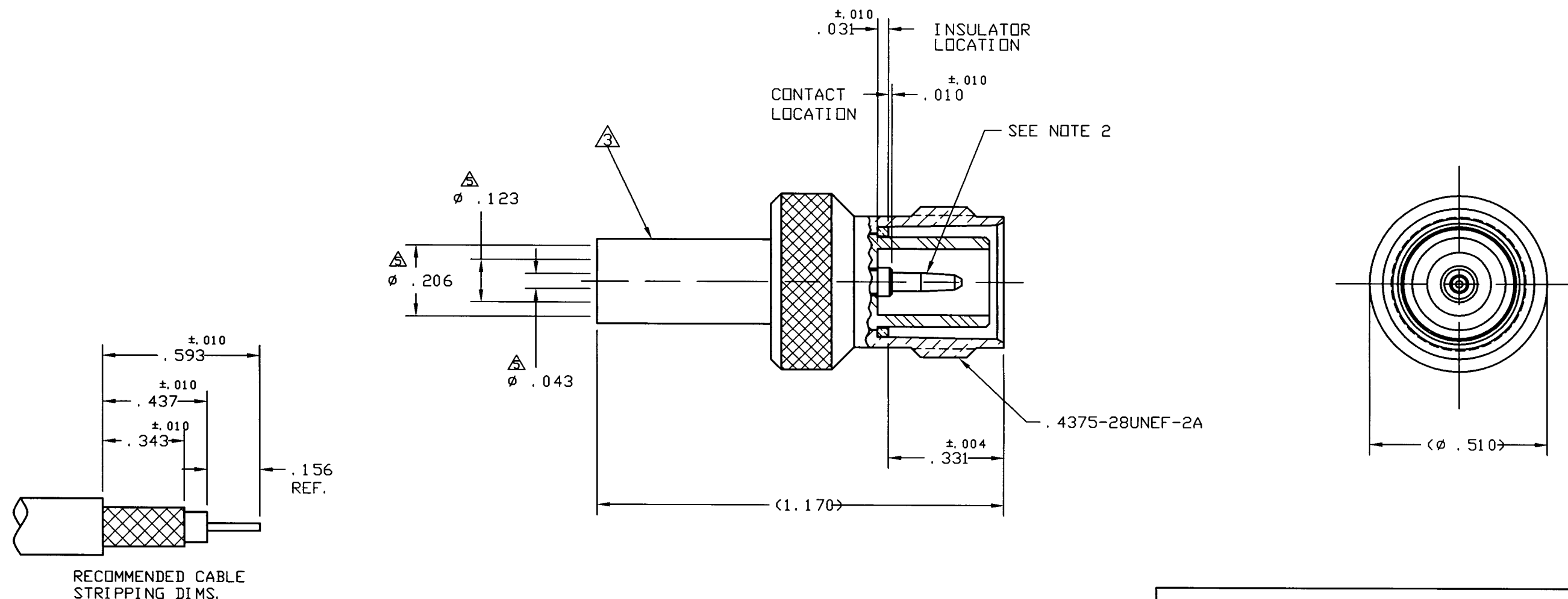
NOTES:

1. PLATING MUST CONFORM TO AMPHENOL SPEC. 349-50560.
2. CUSTOMER NOTE: WHEN SOLDERING CONTACT TO CABLE, ROSIN CORE (60% TIN, 40% LEAD) SOFT SOLDER PER QQ-S-571 IS RECOMMENDED. WHEN CRIMPING CONTACT TO CABLE, CRIMP WITH AMPHENOL TOOL 227-944 (M22520/5-01) & DIE SET 227-1221-11, CAVITY 'B' (M22520/5-11, CLOSURE 'B').
3. CRIMP WITH AMPHENOL TOOL 227-944 (M22520/5-01) & DIE SET 227-1221-11, CAVITY 'A' (M22520/5-11, CLOSURE 'A').
4. DIMENSIONS ENCLOSED IN PARENTHESIS ARE REFERENCE.
5. CABLE ENTRY DIMENSIONS.
6. DO NOT SCALE THIS DRAWING.
7. REMOVE ALL BURRS, BREAK SHARP EDGES AND CORNERS .005 MAXIMUM, UNLESS OTHERWISE SPECIFIED.
8. UNLESS OTHERWISE SPECIFIED, ALL DIMENSIONS ARE AFTER PLATING.

31-5678

REVISIONS

DRAWING NO.	REV	DESCRIPTION	DATE	ECO	APPR
THIRD ANGLE PROJ.		OFFICIAL ENG. RELEASE TO MFG.			
	C	ADDED SHEET 2	4/30/96	40747	CPM/DR
	D	SEE SHEET 1	5/5/99	42966	CPM/



CUSTOMER OUTLINE DWG.

UNLESS OTHERWISE SPECIFIED, DIMENSIONS ARE IN INCHES AND TOLERANCES ARE: 2 PLACE DECIMAL ±.015 (0,381 mm) 3 PLACE DECIMAL ±.005 (0,127 mm) ANGLES ± 1°	MATERIAL	DRAWN C. McGRATH DATE 6/7/95 ENGINEER D. ROYCE DATE 4/30/96 APPROVED D. ROYCE DATE 4/30/96	TITLE	Amphenol Amphenol Corporation RF/Microwave Operations Danbury, Conn. U. S. A. 06810
	REFERENCE	TNC JACK REVERSE INTERFACE FOR RG58/U CABLE		
NOTICE - These drawings, specifications, or other data (1) are, and remain the property of Amphenol Corp. (2) must be returned upon request; and (3) are confidential and not to be disclosed to any person other than those to whom they are given by Amphenol Corp. The furnishing of these drawings, specifications, or other data by Amphenol Corp., or to any other person to anyone for any purpose is not to be regarded by implication or otherwise in any manner licensing, granting rights or permitting such holder or any other person to manufacture, use or sell any product, process or design, patented or otherwise, that may in any way be related to or disclosed by said drawings, specifications, or other data.	EAR #964132-1	CAD FILE	CODE ID 74868 DWG SIZE B DRAWING NO. 31-5678	SCALE: 3:1 SHEET 2 OF 2 ISSUE D
		H: \DEPT611\TNC\031\ASSY\5678SHT2		