

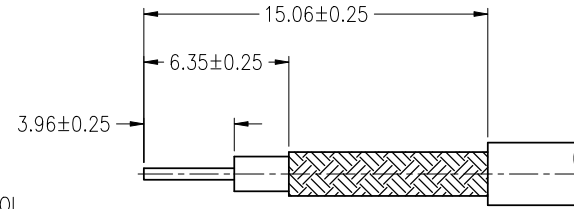
NOTES:

- MATERIALS AND FINISHES (PLATING THICKNESS IN MICRO-INCHES):  
 BODY - ZINC DIECAST, NICKEL PLATING  
 CONTACT - BRASS, GOLD PLATING  
 INSULATOR - PTFE & T.P.X, NATURAL & WHITE
- ELECTRICAL:  
 A. IMPEDANCE: 50 OHM  
 B. FREQUENCY RANGE: DC 0-4 GHz  
 C. DIELECTRIC WITHSTANDING VOLTAGE: 1500 VRMS, MIN.
- MECHANICAL:  
 A. DURABILITY: 500 CYCLES MIN.  
 B. TEMPERATURE RANGE: - 55°C to +85°C
- MUST CONFORM TO AMPHENOL SPEC. 349-50551 SECTION 301
- FOR CABLE STRIPPING AND ASSEMBLY INSTRUCTIONS SEE AMPHENOL SPEC. 349-50597.
- ASTERISK (\*) INDICATES CABLE ENTRY DIMENSIONS.

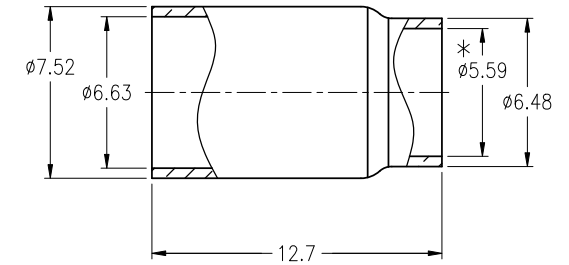
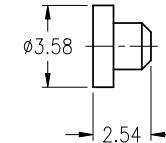
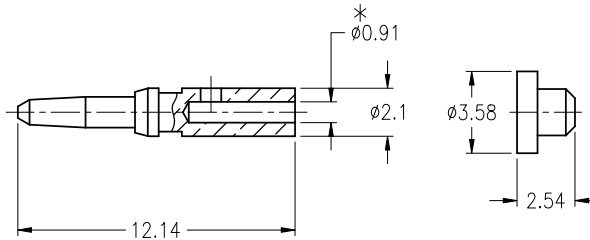
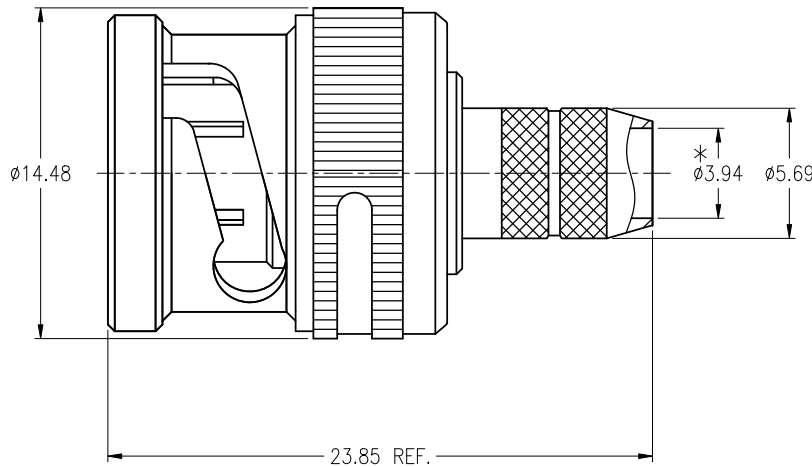
THIRD ANGLE PROJ.

REVISIONS

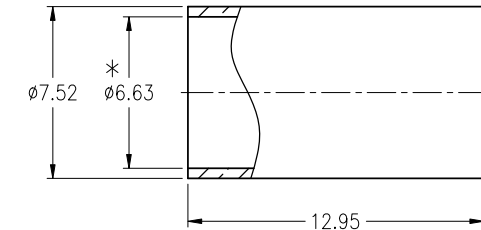
REV	DESCRIPTION	DATE	ECO	APPR
A	RELEASE TO MFG.	21-Dec-94	40323	GT/RAV
E	BODY FINISH WAS CHANGED	15-Jul-97	41860	CPM/DR
G	CONTACT PIN WAS CHANGED	04-Aug-09	47655	SH
H	SPRING WAS CHANGED	28-Mar-12	49020	SH



RECOMMENDED  
CABLE STRIPPING DIM'S



FOR PLENUM 59,62 CABLE



FOR RG-59,62 CABLE

**CUSTOMER OUTLINE DRAWING**

ALL OTHER SHEETS ARE FOR INTERNAL USE ONLY

UNLESS OTHERWISE SPECIFIED, DIMENSIONS ARE IN METRIC AND TOLERANCES ARE:  
 <0.5mm ±0.05mm    0.5 - 6mm ±0.1mm    6 - 30mm ±0.2mm    30 - 120mm ±0.3mm    ANGLES ±1°

NOTICE - These drawings, specifications, or other data (1) are, and remain the property of Amphenol Corp. (2) must be returned upon request; and (3) are confidential and not to be disclosed to any person other than those to whom they are given by Amphenol Corp. The furnishing of these drawings, specifications, or other data by Amphenol Corp., or to any other person to anyone for any purpose is not to be regarded by implication or otherwise in any manner licensing, granting rights or permitting such holder or any other person to manufacture, use or sell any product, process or design, patented or otherwise, that may in any way be related to or disclosed by said drawings, specifications, or other data.

MATERIAL	DRAWN <b>T.DENG</b>	DATE 23-Feb-12	TITLE BNC CRIMP PLUG (FOR RG-59,62 AND PLENUM 59,62 CABLE)	Amphenol RF Danbury CT USA, Tainan Taiwan, Shenzhen China www.amphenolrf.com
REFERENCE EAR 964443-0, ANIXTER SIMILAR TO 68175-1RFX1	ENGINEER <b>R.VACCARD</b>	DATE 16-Dec-94	SCALE: 3/1	DRAWING NO. <b>31-5900</b>
FINISH	APPROVED <b>S.HSIEH</b>	DATE 28-Mar-12	SHEET 2 OF 2	ITEM NO. <b>31-5900</b>
	CAD FILE F:\DWG\CNPD\31\5900-HSZ		DWG SIZE B	REV H
				PART NO. <b>31-5900</b>