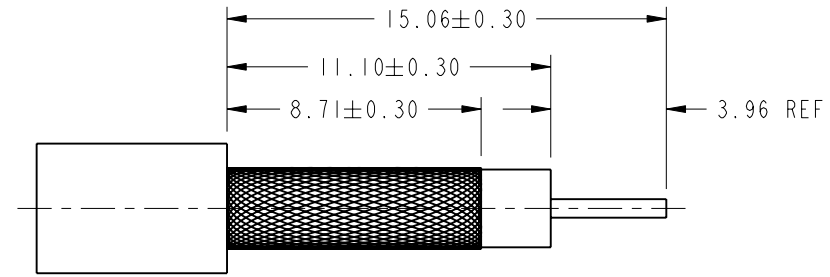


- NOTES:
- MATERIALS AND FINISHES (PLATING THICKNESS IN MICRO-INCHES):
 BODY - BRASS, NICKEL PLATING
 CONTACT - BRASS, GOLD PLATING
 INSULATOR - TEFLON
 - ELECTRICAL:
 A. IMPEDANCE: 75 OHM
 B. FREQUENCY RANGE: DC 0-4 GHz
 C. DIELECTRIC WITHSTANDING VOLTAGE: 1500 VRMS, MIN.
 - MECHANICAL:
 A. DURABILITY: 500 CYCLES MIN.
 B. TEMPERATURE RANGE: -65 C TO +165 C
 - PACKAGING:
 A. QUANTITY: SINGLE PACK
 B. MARKING: BAG TO BE MARKED
 "AMPHENOL RF, 31-71033, AND DATE CODE"
 - WHEN CRIMPING CONTACT TO CABLE, CRIMP WITH AMPHENOL TOOL 227-944 (M22520/5-01) AND DIE SET 227-1221-09, CAVITY 'B' (M22520/5-09, CLOSURE 'B')(OR CTL-2, .068 HEX)
 - WHEN CRIMPING FERRULE TO CABLE, CRIMP WITH AMPHENOL TOOL 277-944 (M22520/5-01) AND DIE SET 227-1221-09 CAVITY 'A' (M22520/5-09, CLOSURE 'A')(OR CTL-2, .178 HEX)
 - USE WITH BELDEN 8218, 1406A, 1164A, 1167A, 1418A, 1407A, 1417A CABLES, AND AT&T 735A, CLARK CV75SM CABLES.

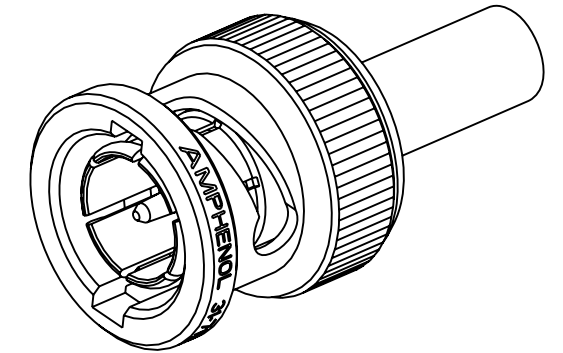
THIRD ANGLE PROJ.

REVISIONS

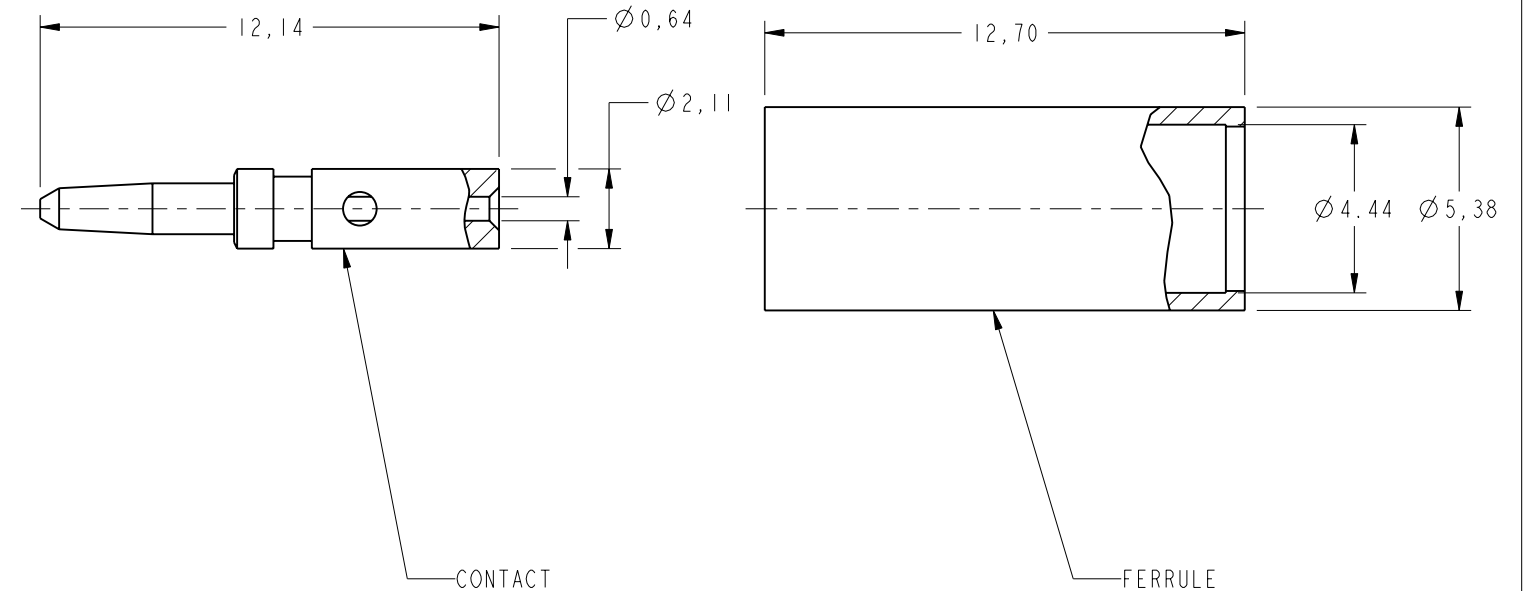
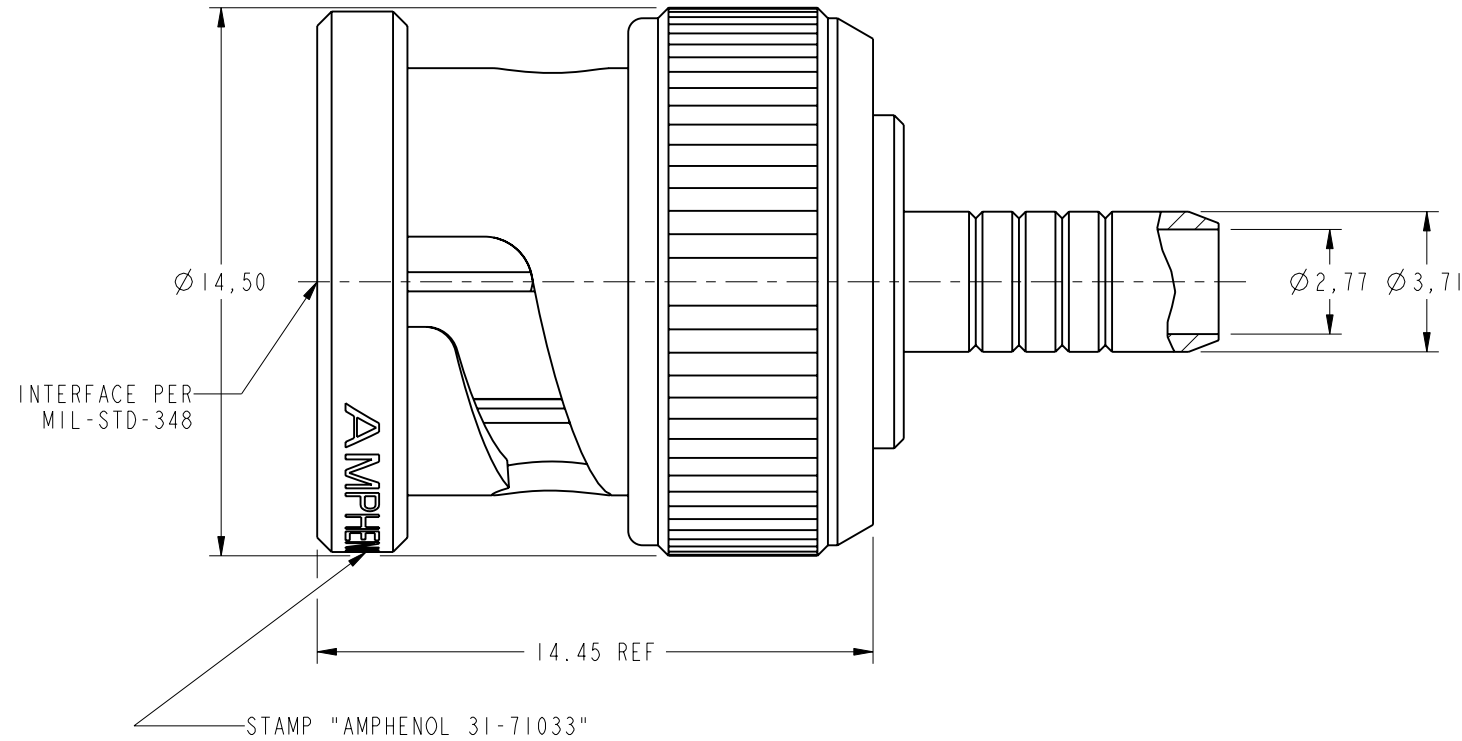
REV	DESCRIPTION	DATE	ECO	APPR
A2	APPEARANCE WAS CHANGED N/A	15-Apr-03		TW
A3	SEE SHEET 1	30-Jun-05		SH
B	SEE SHEET 1	27-Jul-05		SH
B1	SEE SHEET 1	16-Aug-05		SH
C	SEE SHEET 1	28-Sep-06		SH
G	SEE SHEET 1	23-Dec-09	47700	SH



RECOMMENDED CABLE STRIPPING DIMENSION



SCALE 2.500



CUSTOMER OUTLINE DRAWING
 ALL OTHER SHEETS ARE FOR INTERNAL USE ONLY

UNLESS OTHERWISE SPECIFIED, DIMENSIONS ARE IN METRIC AND TOLERANCES ARE:
 < 0.5mm ± 0.05mm 0.5 - 6mm ± 0.1mm 6 - 30mm ± 0.2mm 30 - 120mm ± 0.3mm ANGLES ± 1°

NOTICE - These drawings, specifications, or other data (1) are, and remain the property of Amphenol corp. (2) must be returned upon request; and (3) are confidential and not to be disclosed to any person other than those to whom they are given by Amphenol Corp. the furnishing of these drawings, specifications, or other data by Amphenol Corp., or to any other person to anyone for any purpose is not to be regarded by implication or otherwise in any manner licensing, granting rights to permitting such holder or any other person to manufacture, use or sell any product, process or design, patented or otherwise, that may in any way be related to or disclosed by said drawings, specifications, or other data.

MATERIAL	
REFERENCE EAR # AND CONFIGURATION LEVEL: Prototype	
FINISH	

DRAWN T. DENG	DATE 23-Dec-09
ENGINEER D. ROYCE	DATE 17-Nov-09
APPROVED S. HSIEH	DATE 23-Dec-09
CAD FILE I:/BNC/31-71033	

TITLE BNC PLUG (75 OHM) FOR RGB CABLE	
SCALE: 5.0:1.0	SHEET 2 OF 2
DWG SIZE B	REV G

Amphenol RF Danbury CT USA, Tainan, Taiwan, Shenzhen, China www.amphenolrf.com
DRAWING NO. 31-71033
ITEM NO. 31-71033
PART NO. 31-71033