

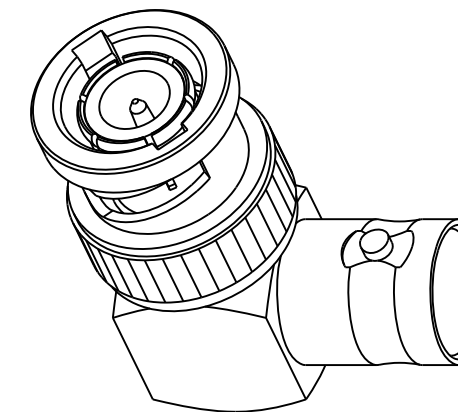
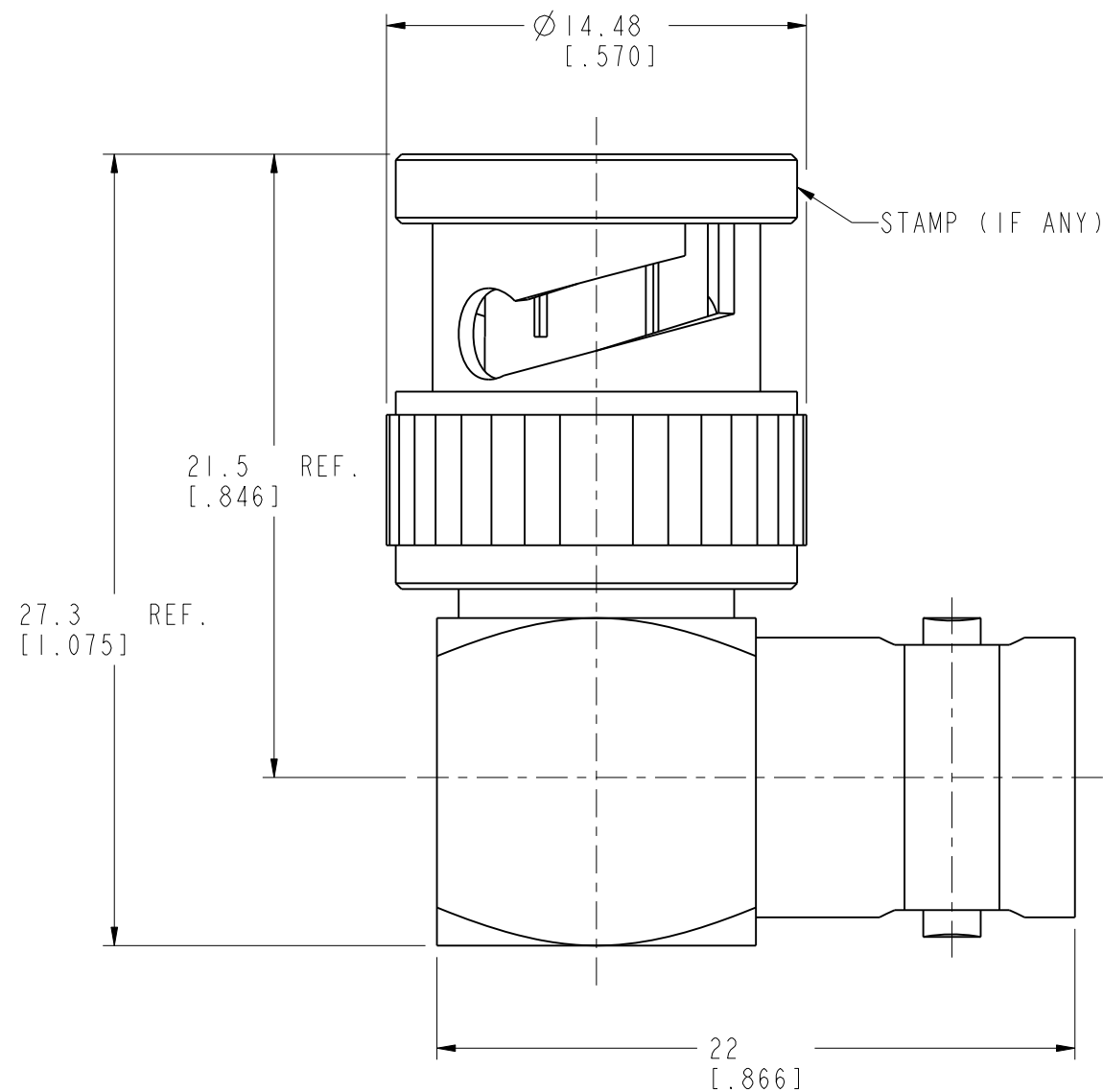
NOTES: FINISH

1. MATERIALS AND FINISHES:
  - BODY - BRASS, NICKEL PLATING
  - CONTACT - BERYLLIUM COPPER, GOLD PLATING
  - CONTACT - BRASS, GOLD PLATING
  - INSULATOR - PTFE, NATURAL
2. ELECTRICAL:
  - A. IMPEDANCE: 50 OHM
  - B. DIELECTRIC WITHSTANDING VOLTAGE: 1500 VRMS, MIN.
3. MECHANICAL:
  - A. DURABILITY: 500 CYCLES MIN.
  - B. TEMPERATURE RANGE: -65° C TO +165° C

THIRD ANGLE PROJ.

REVISIONS

REV	DESCRIPTION	DATE	ECO	APPR
--	RELEASE TO MFG.	----	----	----
E	SPRING WAS CHANGED	09-Aug-12	49157	TD



SCALE 2.000

**CUSTOMER OUTLINE DRAWING**

ALL OTHER SHEETS ARE FOR INTERNAL USE ONLY

<p>UNLESS OTHERWISE SPECIFIED, DIMENSIONS ARE IN METRIC AND TOLERANCES ARE:</p> <table border="1"> <tr> <td>&lt;0.5mm</td> <td>0.5 - 6mm</td> <td>6 - 30mm</td> <td>30 - 120mm</td> <td>ANGLES</td> </tr> <tr> <td>± 0.05mm</td> <td>±0.1mm</td> <td>±0.2mm</td> <td>± 0.3mm</td> <td>±1°</td> </tr> </table> <p>NOTICE - These drawings, specifications, or other data (1) are, and remain the property of Amphenol corp. (2) must be returned upon request; and (3) are confidential and not to be disclosed to any person other than those to whom they are given by Amphenol Corp. the finishing of these drawings, specifications, or other data by Amphenol Corp., or to any other person to anyone for any purpose is not to be regarded by implication or otherwise in any manner licensing, granting rights to permitting such holder or any other person to manufacture, use or sell any product, process or design, patented or otherwise, that may in any way be related to or disclosed by said drawings, specifications, or other data.</p>	<0.5mm	0.5 - 6mm	6 - 30mm	30 - 120mm	ANGLES	± 0.05mm	±0.1mm	±0.2mm	± 0.3mm	±1°	MATERIAL	DRAWN T. DENG	DATE 09-Aug-12	TITLE BNC MALE TO FEMALE R/A ADAPTOR		<p style="text-align: center;"><b>Amphenol RF</b></p> Danbury CT USA, Tainan, Taiwan, Shenzhen, China www.amphenolrf.com	
	<0.5mm	0.5 - 6mm	6 - 30mm	30 - 120mm	ANGLES												
	± 0.05mm	±0.1mm	±0.2mm	± 0.3mm	±1°												
	REFERENCE EAR 962370-0	ENGINEER D. ROYCE	DATE 14-Jun-91														
CONFIGURATION LEVEL:	APPROVED S. HSIEH	DATE 09-Aug-12	SCALE: 4.0:1.0	SHEET	2 OF 2	DRAWING NO. B5072A1-001-NT3G-50											
FINISH	I:\BNC\B5072A1-001-NT3G-50	CAD FILE	DWG SIZE B	REV E		ITEM NO. 015072AAA00NA5F PART NO. 31-9-RFX											