

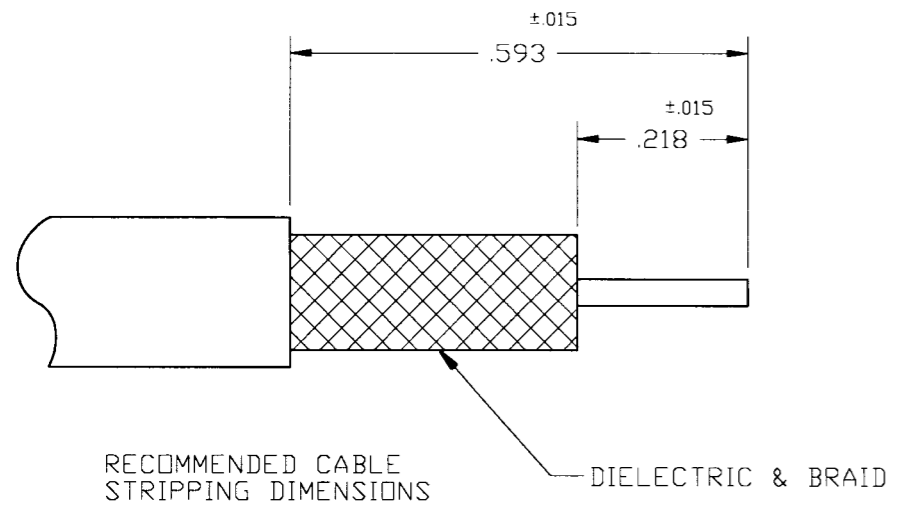
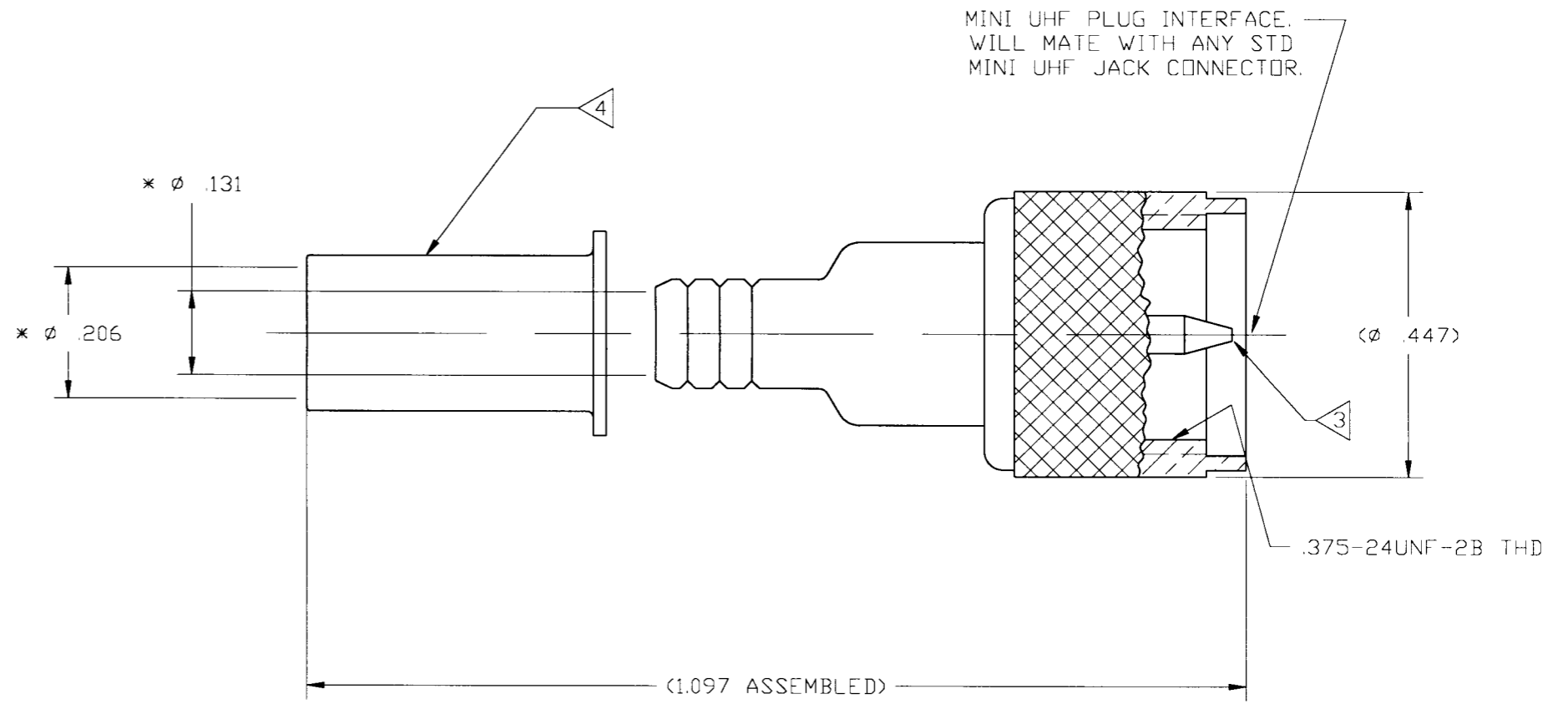
NOTES:

1. CENTER CONTACT IS CAPTIVATED AND HAS A *.043 DIA WIRE ENTRY HOLE.
2. MATERIALS OF CONSTRUCTION:
 BODY: BRASS, NICKEL PLATED.
 INSULATOR: PTFE
 CENTER CONTACT: BRASS, GOLD PLATED, .000003.
 COUPLING NUT: BRASS, NICKEL PLATED.
 FERRULE: COPPER ALLOY, NICKEL PLATED.
3. CRIMP USING AMPHENOL TOOL FRAME 227-944 WITH DIE SET 227-1409, CAVITY "B" .052 SQ DR SOFT SOLDER PER QQ-S-571, COMP Sn60.
4. CRIMP USING AMPHENOL TOOL FRAME 227-944 WITH DIE SET 227-1409, CAVITY "A" .213 HEX.
5. ASTERISK (*) INDICATES CABLE ENTRY DIMENSIONS.
6. DO NOT SCALE THIS DRAWING.
7. UNLESS OTHERWISE SPECIFIED, ALL DIMENSIONS ARE AFTER PLATING.

81-115N-1000

REVISIONS

DRAWING NO.	REV	DESCRIPTION	DATE	ECO	APPR
THIRD ANGLE PROJ.	A	RELEASE TO MFG.	5/13/93	39996	RAV
	B	SEE SHEET 1 FOR REVISIONS	6/4/97	42003	CPM/



UNLESS OTHERWISE SPECIFIED, DIMENSIONS ARE IN INCHES AND TOLERANCES ARE:
 2 PLACE DECIMAL 3 PLACE DECIMAL ANGLES
 ±.015 (0,381 mm) ±.005 (0,127 mm) ± 1'

NOTICE - These drawings, specifications, or other data (1) are, and remain the property of Amphenol Corp. (2) must be returned upon request; and (3) are confidential and not to be disclosed to any person other than those to whom they are given by Amphenol Corp. The furnishing of these drawings, specifications, or other data by Amphenol Corp., or to any other person to anyone for any purpose is not to be regarded by implication or otherwise in any manner licensing, granting rights or permitting such holder or any other person to manufacture, use or sell any product, process or design, patented or otherwise, that may in any way be related to or disclosed by said drawings, specifications, or other data.

MATERIAL	
REFERENCE	ANTENNA SPECIALISTS EAR 964120-0

DRAWN	J. MULVEY	DATE	3/28/94
ENGINEER	R. VACCARD	DATE	5/5/94
APPROVED	J. MULVEY	DATE	3/28/94
CAD FILE	H:\DEPT611\MUHF\081\ASSY\115N\1000SH2		

TITLE	MINI UHF PLUG CRIMP-CRIMP FOR RG58/U (A,B,C) CABLE EYELET VERSION
CODE ID	74868
DWG SIZE	B
DRAWING NO.	81-115N-1000

Amphenol
 Amphenol Corporation
 RF/Microwave Operations
 Danbury, Conn. U.S.A. 06810

SCALE: 4:1 SHEET 2 OF 2

REV B