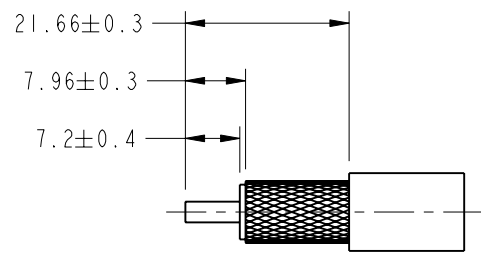
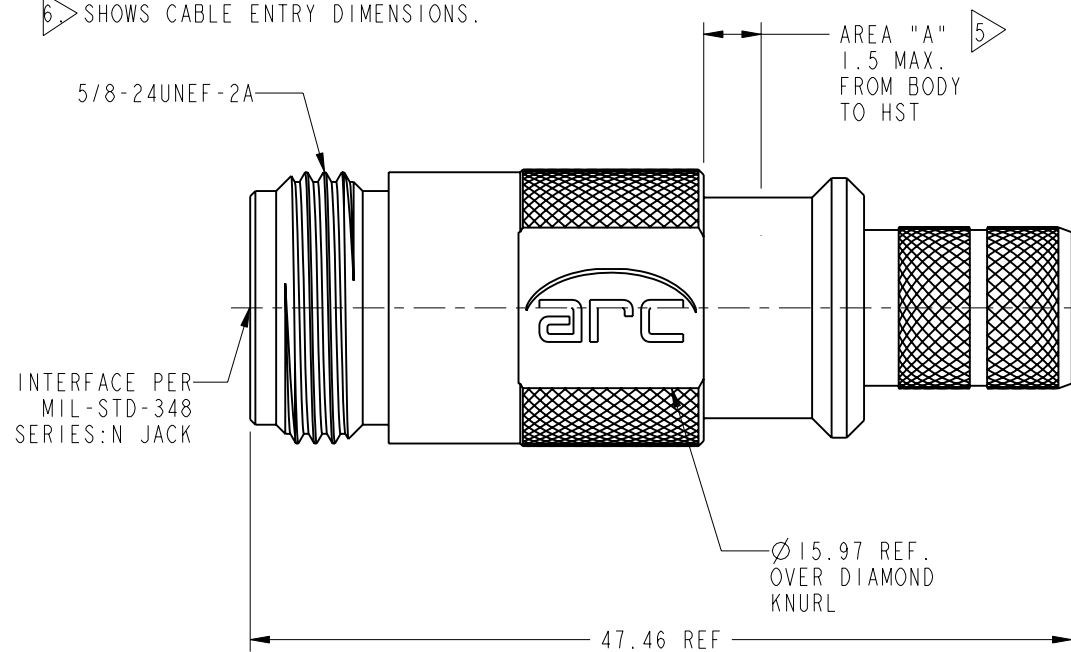


NOTES:

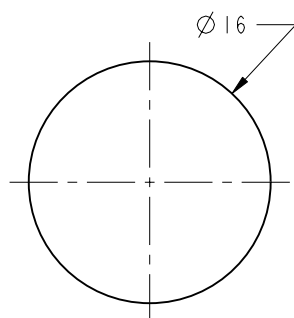
1. MATERIALS AND FINISHES:
  - BODY, CONTACT-OUTER - BRASS, NICKEL PLATING
  - CONTACT - BeCu, GOLD PLATING
  - CONTACT - BRASS, GOLD PLATING
  - INSULATORS - PTFE
  - FERRULE - COPPER, NICKEL PLATING
  - HEAT SHRINK TUBING - CROSSLINKED POLYOLEFIN
2. ELECTRICAL:
  - A. IMPEDANCE: 50 OHM
  - B. FREQUENCY RANGE: DC - 6 GHz
  - C. DIELECTRIC WITHSTANDING VOLTAGE: 1000 VRMS, MIN.
3. MECHANICAL:
  - A. DURABILITY: 500 CYCLES MIN.
  - B. TEMPERATURE RANGE: -55° C TO +85° C
4. PACKAGING:
  - A. QUANTITY: SINGLE PACK
  - B. MARKING: BAG TO BE MARKED "AMPHENOL RF, 82-6517, AND DATE CODE"

5. RECOMMENDED CABLE ASSEMBLY INSTRUCTIONS:
  - A. TRIM CABLE AS SHOWN.
  - B. SLIDE HEAT SHRINK TUBING, FERRULE AND INSULATOR DISC ONTO CABLE.
  - C. SOLDER CABLE CENTER CONDUCTOR TO CONTACT.
  - D. INSERT CABLE WITH FOIL ENTERING CONNECTOR AND BRAID OVER KNURL.
  - E. CRIMP FERRULE OVER BRAID WITH 0.429" HEX DIE
  - F. APPLY HEAT SHRINK TUBING OVER FERRULE.
  - G. HEAT SHRINK TUBING SHOULD FULLY (360 DEG) COVER THE BUMP ON BODY AND END WITHIN AREA "A"

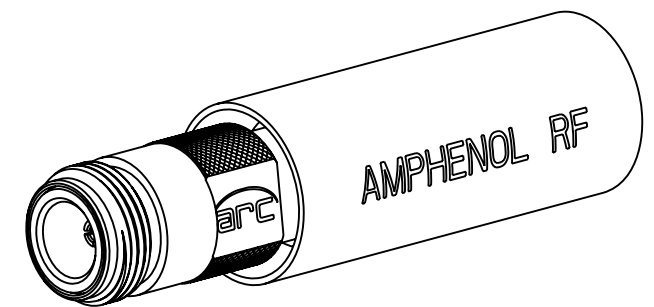
6. SHOWS CABLE ENTRY DIMENSIONS.



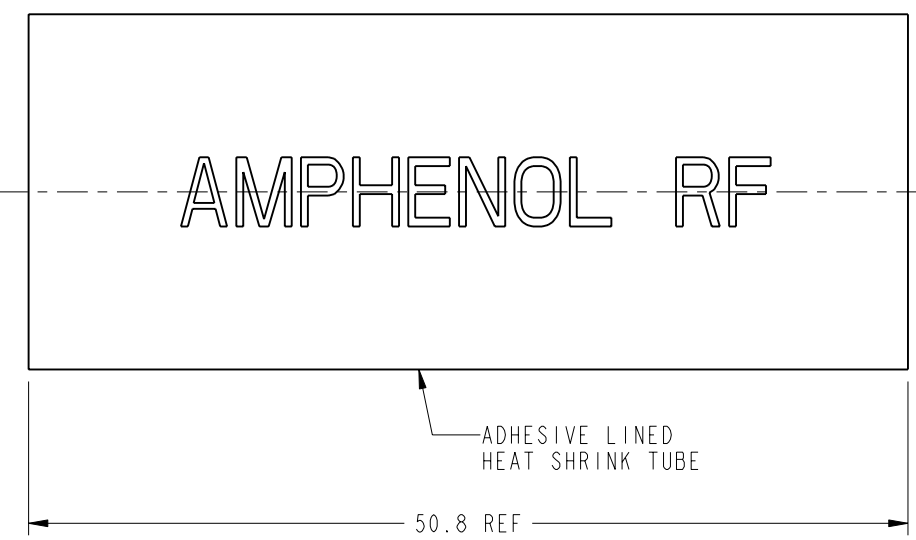
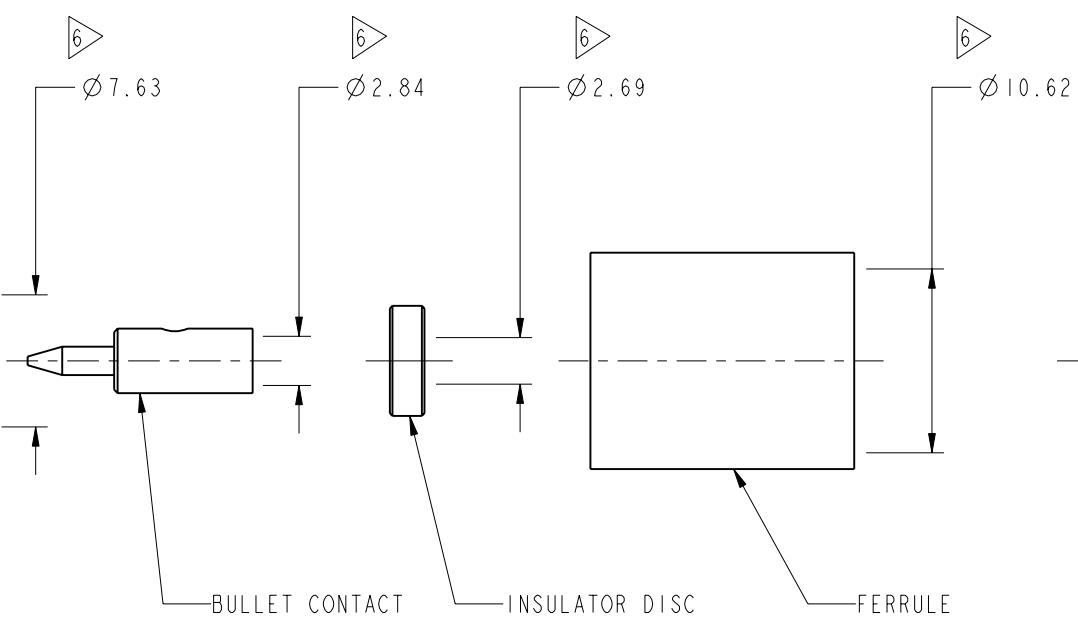
SCALE 1.000  
RECOMMENDED CABLE STRIPPING DIM'S



SCALE 2.000  
MIN PASS THRU DIAMETER



SCALE 1.200



**CUSTOMER OUTLINE DRAWING**  
ALL OTHER SHEETS ARE FOR INTERNAL USE ONLY

|  |                         |                      |                   |  |              |                                   |  |
|--|-------------------------|----------------------|-------------------|--|--------------|-----------------------------------|--|
| <p>UNLESS OTHERWISE SPECIFIED, DIMENSIONS ARE IN METRIC AND TOLERANCES ARE:<br/>                 &lt;0.5mm ± 0.05mm    0.5 - 6mm ± 0.1mm    6 - 30mm ± 0.2mm    30 - 120mm ± 0.3mm    ANGLES ± 1°</p> <p>NOTICE - These drawings, specifications, or other data (1) are, and remain the property of Amphenol corp. (2) must be returned upon request; and (3) are confidential and not to be disclosed to any person other than those to whom they are given by Amphenol Corp. the furnishing of these drawings, specifications, or other data by Amphenol Corp., or to any other person to anyone for any purpose is not to be regarded by implication or otherwise in any manner licensing, granting rights to permitting such holder or any other person to manufacture, use or sell any product, process or design, patented or otherwise, that may in any way be related to or disclosed by said drawings, specifications, or other data.</p> | MATERIAL                | DRAWN<br>S. DUAN     | DATE<br>06-Mar-15 | TITLE<br>N JACK STR IP-67<br>FOR LMR-400 CABLE |              | Amphenol RF<br>www.amphenolrf.com |  |
|  | REFERENCE<br>EAR # 3410 | ENGINEER<br>D. DAVE  | DATE<br>15-Sep-11 |  |              |                                   |  |
|  | CONFIGURATION LEVEL:    | APPROVED<br>S. HSIEH | DATE<br>09-Mar-15 | SCALE: 2.3:1.0                                 | SHEET 2 OF 2 | ITEM NO. 82-6517                  |  |
|  | FINISH                  | CAD FILE             |                   | DWG SIZE<br>B                                  | REV<br>D     | PART NO. 82-6517                  |  |