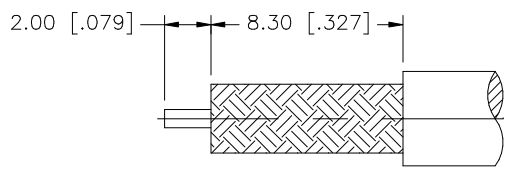
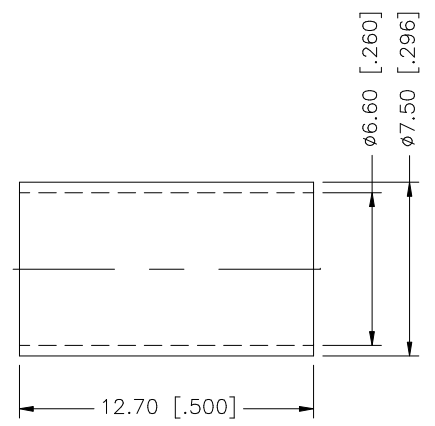
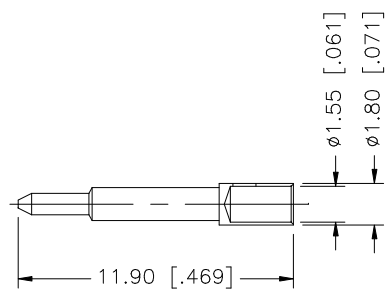
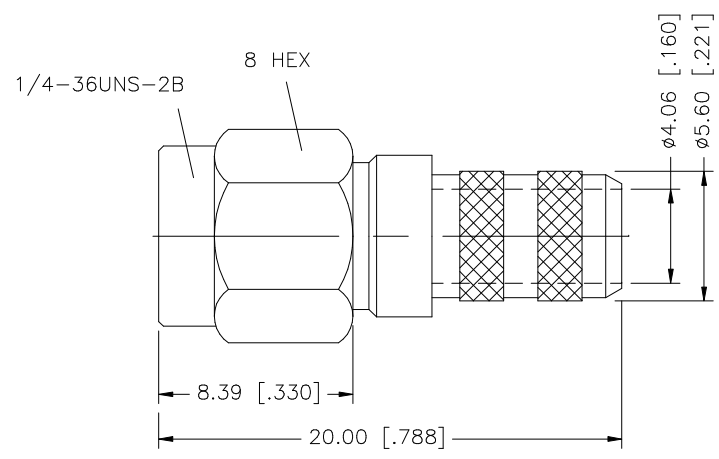


REV.	DATE	DESCRIPTION
A	11/26/03	UPDATE DRAWING FORMAT



RECOMMENDED  
CABLE STRIPPING DIM'S



- NOTES:
1. CRIMPED FERRULE  
HEX CRIMP SIZE .255"
  2. CONTACT PIN TO SOLDER

DESCRIPTION	MATERIAL	FINISH	QTY	DO NOT SCALE DRAWING	APPROVALS	DATE	<h1 style="color: blue; margin: 0;">Amphenol Connex</h1>
8					DRAWN	G.R.S.	
7					CHECKED		<b>SMA CRIMP PLUG (FOR RG-8/X, LMR-240)</b>
6	FERRULE	BRASS	GOLD	1	ISSUED		
5	HEX NUT	BRASS	GOLD	1	SHEET	1 OF 1	PART NO.
4	LOCK WASHER	BRASS	GOLD	1	CAD FILE	C:/132/132231.DWG	132231
3	CONTACT PIN	PHOS. BRONZE	GOLD	1	DWG. NO.	132231.DWG	REV. NC
2	INSULATOR	TEFLON	NATURAL	1	SIZE	A	SCALE NA
1	HOUSING/BODY	BRASS	GOLD	1			

UNLESS OTHERWISE SPECIFIED DIMENSIONS ARE IN MILLIMETERS. DIMENSIONS IN [ ] ARE IN INCHES AND FOR CUSTOMER REFERENCE ONLY.

UNLESS OTHERWISE SPECIFIED TOLERANCES FOR MILLIMETERS ARE:  
0.5 - 8mm ± 0.20mm  
8 - 30mm ± 0.40mm  
30 - 120mm ± 0.50mm

UNLESS OTHERWISE SPECIFIED TOLERANCES FOR INCHES ARE:  
.020 - .315 = ± 0.007"  
.315 - 1.180 = ± 0.015"  
1.180 - 4.724 = ± 0.020"