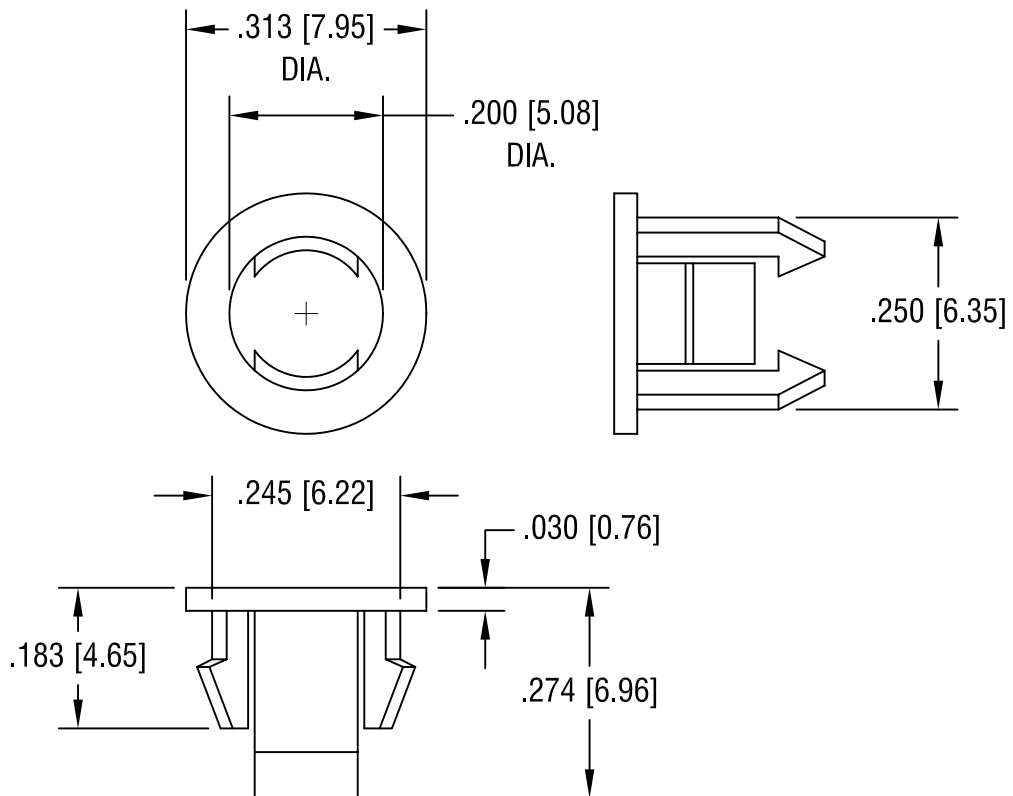


THIS DOCUMENT IS THE PROPERTY OF  
KEYSTONE ELECTRONICS CORP. AND  
SHALL NOT BE REPRODUCED, DISTRIBUTED  
OR USED AS A BASIS FOR MANUFACTURE  
WITHOUT PRIOR WRITTEN PERMISSION  
FROM KEYSTONE ELECTRONICS CORP.



**NOTE:**

1. RECOMMENDED MOUNTING HOLE:  
.250 [6.35] DIA.

<b>KEYSTONE ELECTRONICS CORP.</b>			
ASTORIA, N.Y. 11105-2017			
PART NAME			
SNAP-IN LED HOLDER, T-1 3/4			
MATERIAL			
NYLON 6/6, BLACK			
FINISH		DRN BY	DATE
-		BOONE	1.7.97
		APPD	SCALE
		LN	4X
TOLERANCES		INCH	[MM]
DECIMAL		$\pm .005$	$[\pm 0.15]$
ANGULAR		$\pm 1^\circ$	
UNLESS OTHERWISE SPECIFIED		CODE	DWG NO.
		C/M	<b>8310</b>

DATE	DESCRIPTION	REV.