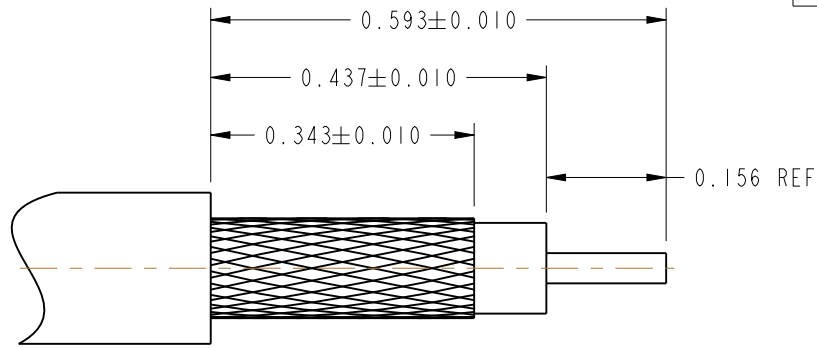


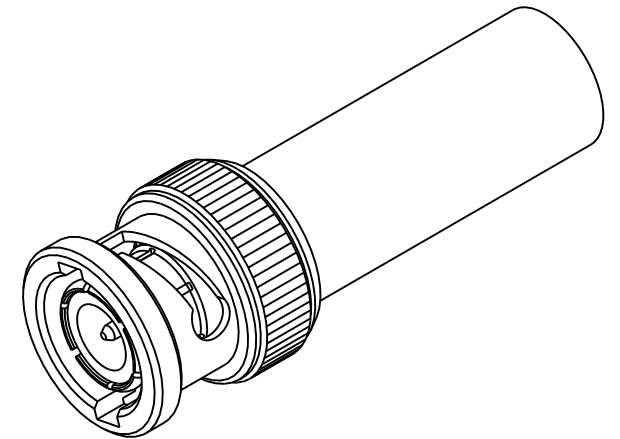
NOTES:

1. MATERIALS AND FINISHES:  
 BODY - BRASS, SILVER PLATING.  
 CONTACT - BRASS, GOLD PLATING.  
 INSULATOR - PTFE
2. MECHANICAL:  
 A. DURABILITY: 500 CYCLES MIN.  
 B. TEMPERATURE RANGE: -65° C TO +165° C
3. PACKAGING:  
 A. QUANTITY: SINGLE PACK  
 B. MARKING: BAG TO BE MARKED  
 "AMPHENOLRF, 31-4321, AND DATE CODE"
4. HEAT SHRINK TUBING SUPPLIED ON REQUEST.
5. SHOWS CABLE ENTRY DIMENSIONS.
6. CUSTOMER NOTE: SOLDER CONTACT TO CABLE.  
 WHEN CRIMPING USE AMPHENOL TOOL 227-944 (M22520/5-01)  
 AND DIE SET 227-1221-13, CAVITY 'A' (M22520/5-13, CLOSURE 'B').
7. CRIMP WITH AMPHENOL TOOL 227-944 (M22520/5-01) AND DIE SET  
 227-1221-13, CAVITY 'A' (M22520/5-13, CLOSURE 'A').

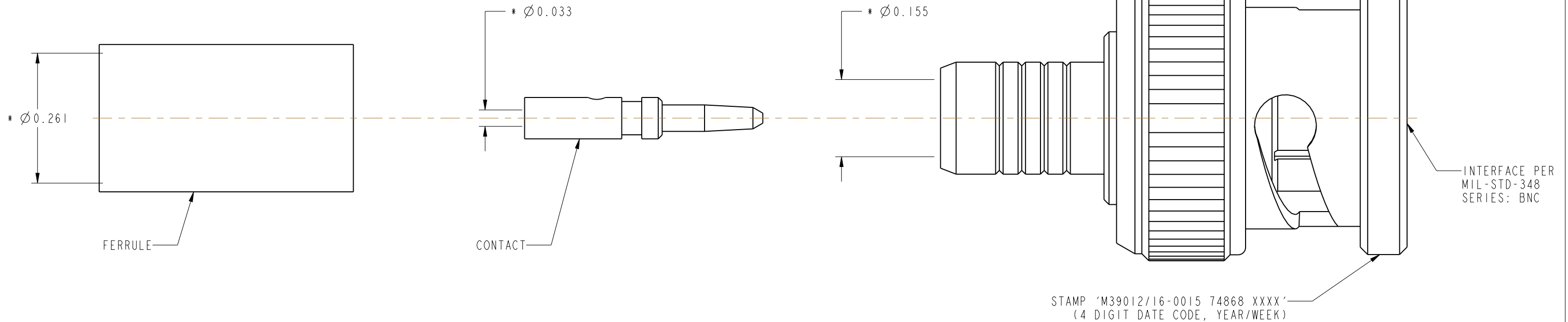
31-4321		REVISIONS			
DRAWING NO.	REV	DESCRIPTION	DATE	ECO	APPR
THIRD ANGLE PROJ.	--	RELEASE TO MFG.	-----	-----	-----
	W	REDRAWN IN PROE, ADD COD	1/14/13	48616	KR
	Y	ADD STAMPING	3/6/13	49452	CPM



**RECOMMENDED CABLE STRIPPING DIMENSIONS**



SCALE 2.000



**MIL-C-39012 INSPECTION**

**CUSTOMER OUTLINE DRAWING**  
 ALL OTHER SHEETS ARE FOR INTERNAL USE ONLY

**THIS CONNECTOR IS COVERED BY U.S. PATENT 3,439,294**

UNLESS OTHERWISE SPECIFIED, DIMENSIONS ARE IN INCHES AND TOLERANCES ARE: 2 PLACE DECIMAL      3 PLACE DECIMAL      ANGLES $\pm .015$ (0,381 mm) $\pm .005$ (0,127 mm) $\pm 1^\circ$	MATERIAL	DRAWN KARTHIK R	DATE 31-May-11	TITLE BNC PLUG MIL-CRIMP (CATEGORY C), FOR RG 59,62,140 & 210/U CABLE		Amphenol RF Danbury, CT, USA Tainan, Taiwan Shenzhen, China www.amphenolrf.com		
	REFERENCE	ENGINEER KARTHIK R	DATE 31-May-11					
NOTICE - These drawings, specifications, or other data (1) are, and remain the property of Amphenol Corp. (2) must be returned upon request; and (3) are confidential and not to be disclosed to any person other than those to whom they are given by Amphenol Corp. The furnishing of these drawings, specifications, or other data by Amphenol Corp., or to any other person to anyone for any purpose is not to be regarded by implication or otherwise in any manner licensing, granting rights or permitting such holder or any other person to manufacture, use or sell any product, process or design, patented or otherwise, that may in any way be related to or disclosed by said drawings, specifications, or other data.		APPROVED K. CAPOZZI	DATE 1/14/13	CODE ID 74868	DWG SIZE B	DRAWING NO. 31-4321	SCALE: 5.0:1	SHEET 2 OF 2
		CAD FILE Root Folder/BNC/31-4321						