

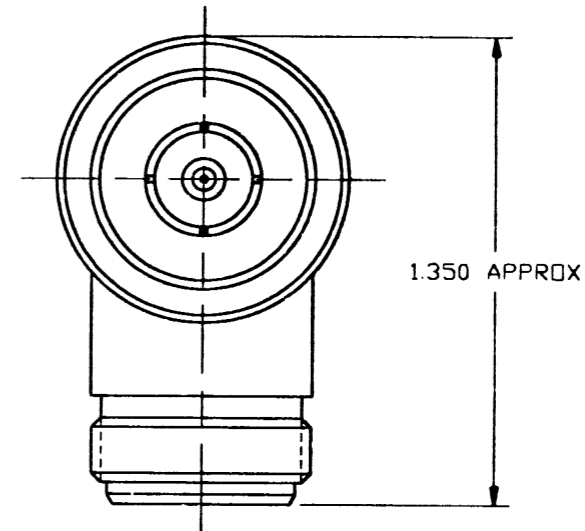
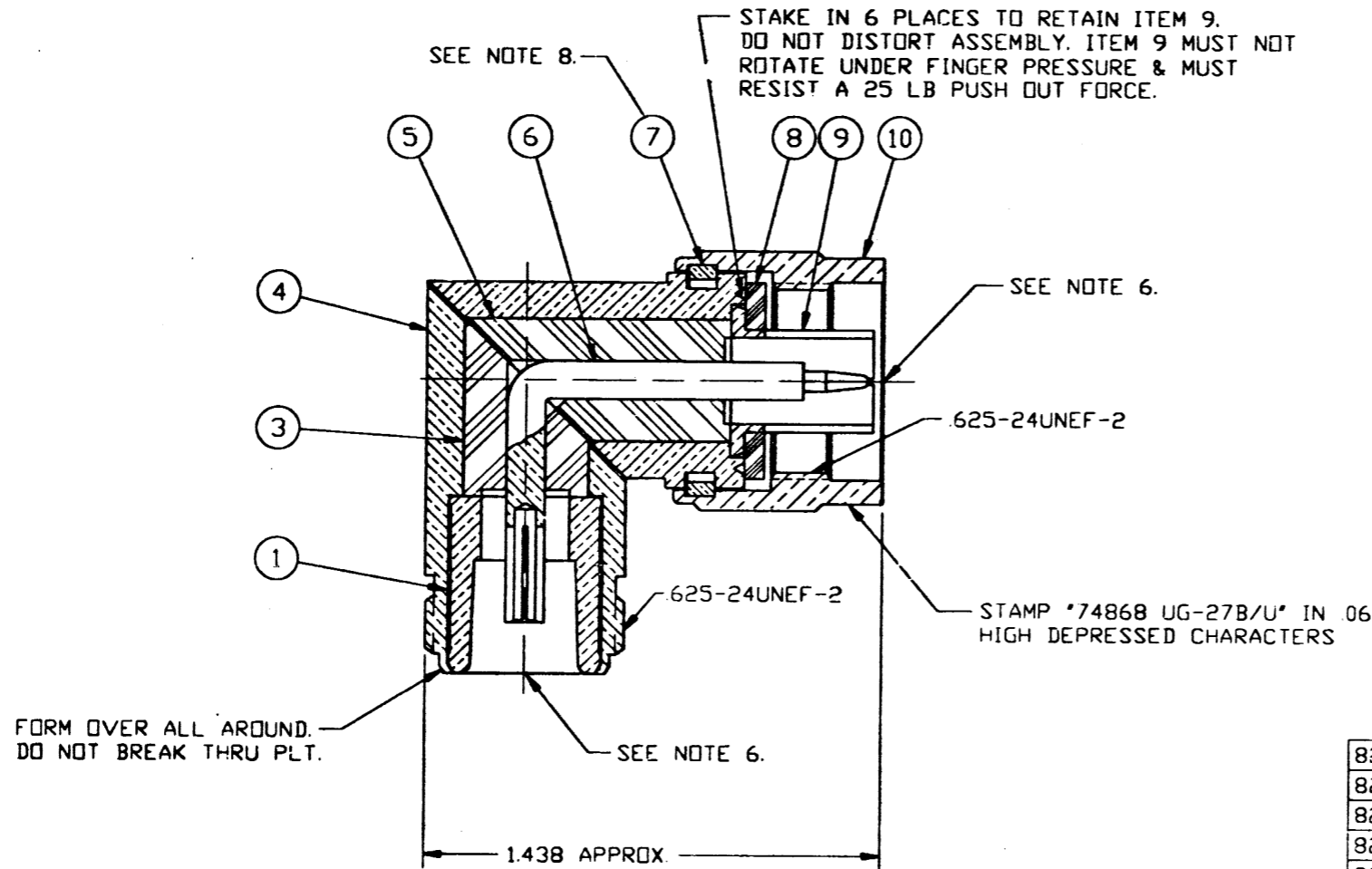
NOTES:

1. PLATING MUST CONFORM TO AMPHENOL SPEC. 349-50560. CONTACT IS SILVER PLATED, ALL OTHER METAL PARTS ARE ASTROPLATED (REF).
4. ITEM 1 IS A PRESS FIT INTO ITEM 4.
5. ITEM 1 MUST BE HELD UNDER PRESSURE WITH STATIONARY MANDREL WHEN FORMING OVER TO INSURE GOOD ELECTRICAL CONTACT BETWEEN THESE SURFACES.
6. MUST CONFORM TO AMPHENOL SPEC. 349-50551, PARA.304.
7. PACKAGE CONNECTOR IN BAG 999-226.
8. WAX DIP PER FS-100-3 BEFORE ASSY.
9. DO NOT SCALE THIS DRAWING.
10. UNLESS OTHERWISE SPECIFIED, ALL DIMENSIONS ARE AFTER PLATING.

82-98

REVISIONS

DRAWING NO.	REV	DESCRIPTION	DATE	ECO	APPR
THIRD ANGLE PROJ.	A	OFFICIAL ENG. RELEASE TO MFG.	5/16/51	2106-B	
	V	REDRAWN WAS 'C' SIZE; ADD NOTES 9 & 10; UPDATED PLATE CODES.	12-10-96	41681	CPM/ DR



PART NUMBER	QTY	ITEM	DESCRIPTION	FINISH
82-2153-6NA	1	10	COUPLING NUT	NOTE 1
82-2849-NA	1	9	OUTER CONTACT	NOTE 1
82-1535-1	1	8	GASKET	
82-1138-8	1	7	RETAINING RING (NOTE 8)	
82-10350-SA	1	6	CONTACT	NOTE 1
82-10349-1	1	5	INSULATOR	
82-11365-NA	1	4	BODY SUB-ASS'Y	NOTE 1
82-10349-2	1	3	INSULATOR	
		2		
82-718-NA	1	1	BUSHING	NOTE 1

UNLESS OTHERWISE SPECIFIED, DIMENSIONS ARE IN INCHES AND TOLERANCES ARE:  
 2 PLACE DECIMAL ± 0.15 (0.381 mm)  
 3 PLACE DECIMAL ± 0.005 (0.127 mm)  
 ANGLES ± 1°

NOTICE - These drawings, specifications, or other data (1) are, and remain the property of Amphenol Corp. (2) must be returned upon request; and (3) are confidential and not to be disclosed to any person other than those to whom they are given by Amphenol Corp. The furnishing of these drawings, specifications, or other data by Amphenol Corp., or to any other person to anyone for any purpose is not to be regarded by implication or otherwise in any manner licensing, granting rights or permitting such holder or any other person to manufacture, use or sell any product, process or design, patented or otherwise, that may in any way be related to or disclosed by said drawings, specifications, or other data.

MATERIAL

REFERENCE

DRAWN T. ALBERA DATE 12/13/90

ENGINEER S.P. DATE 1/26/66

APPROVED R AVERY DATE 2/2/66

CAD FILE H:\DEPT611\N\082\ASSY\98

TITLE TYPE 'N' ADAPTOR RIGHT ANGLE UG - 27B/U

**Amphenol**  
 Amphenol Corporation  
 RF/Microwave Operations  
 Danbury, Conn. U.S.A. 06810

SCALE: 2:1 SHEET OF

CODE ID 74868 DWG SIZE B DRAWING NO. 82-98 REV V