

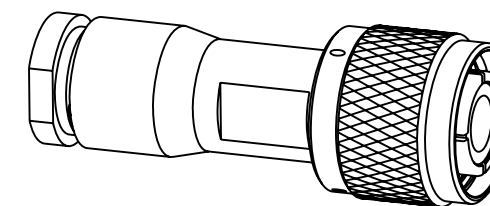
NOTES:

1. MATERIALS AND FINISHES:
 BODY - BRASS, NICKEL PLATING
 CONTACT - BRASS, SILVER PLATING
 INSULATOR - PTFE, NATURAL
2. ELECTRICAL:
 A. IMPEDANCE: 50 OHM
 B. FREQUENCY RANGE: DC 0-4 GHz
 C. DIELECTRIC WITHSTANDING VOLTAGE: 1500 VRMS, MIN.
3. MECHANICAL:
 A. DURABILITY: 500 CYCLES MIN.
 B. TEMPERATURE RANGE: -65°C TO +165°C
4. THIS CONNECTOR CAN BE USED ON CABLE:
 RG-8/U, 9/U, 9A/U, 10/U, 87/U.
5. FOR STRIPPING AND CABLE ASSY SEE 123-161.

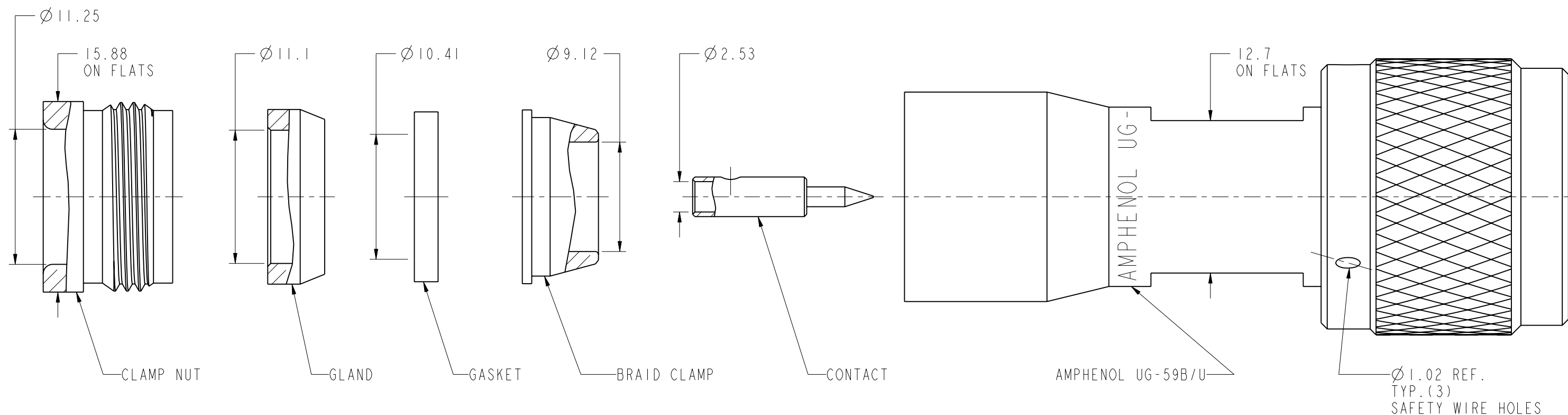
THIRD ANGLE PROJ.

REVISIONS

REV	DESCRIPTION	DATE	ECO	APPR
A	RELEASE TO MFG.	10-May-50	C/N 2960	K.S
AA	SYNC WITH GLOBAL FORMAT\ RD-DA11040101TI	21-Apr-11	48526	SH
AB	STAMP "AMPHENOL" WAS "74868"\RD-DM1120601R3	26-Dec-11	48845	SH



SCALE 1.000



CUSTOMER OUTLINE DRAWING

ALL OTHER SHEETS ARE FOR INTERNAL USE ONLY

UNLESS OTHERWISE SPECIFIED, DIMENSIONS ARE IN METRIC AND TOLERANCES ARE: <table border="0"> <tr> <td>< 0.5mm</td> <td>0.5 - 6mm</td> <td>6 - 30mm</td> <td>30 - 120mm</td> <td>ANGLES</td> </tr> <tr> <td>$\pm 0.05mm$</td> <td>$\pm 0.1mm$</td> <td>$\pm 0.2mm$</td> <td>$\pm 0.3mm$</td> <td>$\pm 1^\circ$</td> </tr> </table>	< 0.5mm	0.5 - 6mm	6 - 30mm	30 - 120mm	ANGLES	$\pm 0.05mm$	$\pm 0.1mm$	$\pm 0.2mm$	$\pm 0.3mm$	$\pm 1^\circ$	MATERIAL	DRAWN R. MAO	DATE 12-Dec-11	TITLE HN PLUG (FOR UG-59B/U)	Amphenol RF www.amphenolrf.com
	< 0.5mm	0.5 - 6mm	6 - 30mm	30 - 120mm	ANGLES										
	$\pm 0.05mm$	$\pm 0.1mm$	$\pm 0.2mm$	$\pm 0.3mm$	$\pm 1^\circ$										
	NOTICE - These drawings, specifications, or other data (1) are, and remain the property of Amphenol corp. (2) must be returned upon request; and (3) are confidential and not to be disclosed to any person other than those to whom they are given by Amphenol Corp. the furnishing of these drawings, specifications, or other data by Amphenol Corp., or to any other person to anyone for any purpose is not to be regarded by implication or otherwise in any manner licensing, granting rights to permitting such holder or any other person to manufacture, use or sell any product, process or design, patented or otherwise, that may in any way be related to or disclosed by said drawings, specifications, or other data.	REFERENCE	ENGINEER K. S	DATE 10-May-50	DRAWING NO. 82-804										
CONFIGURATION LEVEL:		APPROVED S. HSIEH	DATE 12-Dec-11	ITEM NO. 82-804											
FINISH		CAD FILE	SCALE: 3.0:1.0	SHEET 2 OF 2	PART NO. 82-804										