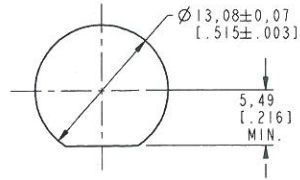
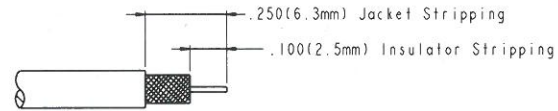


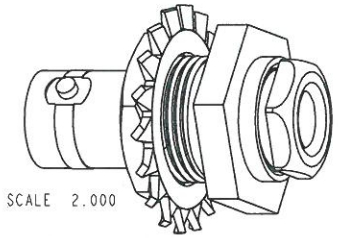
- NOTES:
- MATERIALS AND FINISHES:  
 BODY - BRASS, SILVER PLATING  
 CONTACT - BERYLLIUM COPPER, SILVER PLATING  
 CLAMP NUT - BRASS, NICKEL PLATING  
 LOCKWASHER - PHOSPHOR BRONZE, NICKEL PLATING  
 INSULATOR - PTFE
  - ELECTRICAL:  
 A. IMPEDANCE: 50 OHM
  - MECHANICAL:  
 A. DURABILITY: 500 CYCLES MIN.  
 B. TEMPERATURE RANGE: -65° C TO +165° C
  - PACKAGING:  
 A. QUANTITY: SINGLE PACK  
 B. MARKING: BAG TO BE MARKED  
 "AMPHENOL RF, 31-206, AND DATE CODE"
  - SHOWS CABLE ENTRY DIMENSIONS.
  - USED WITH RG-55/U AND RG-58/U CABLES.
  - CONTACT PIN SOLDER TO CABLE.



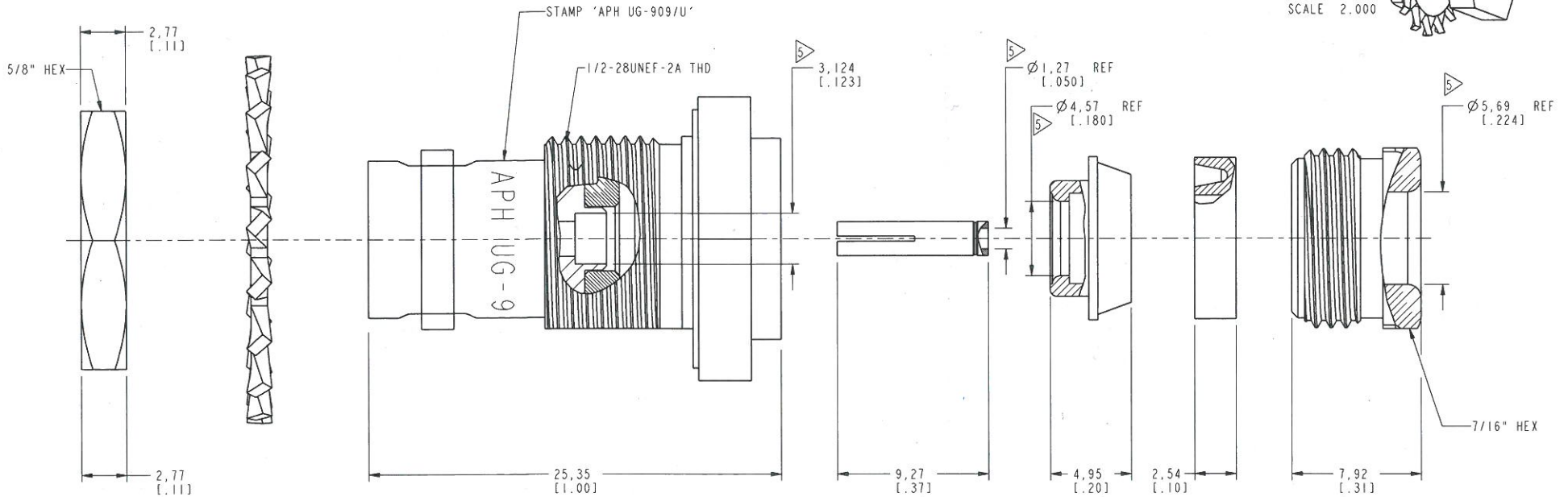
SCALE 2.000  
**PANEL MOUNTING HOLE DETAIL**



RECOMMENDED STRIPPING LENGTH



SCALE 2.000



**CUSTOMER OUTLINE DRAWING**  
 ALL OTHER SHEETS ARE FOR INTERNAL USE ONLY

UNLESS OTHERWISE SPECIFIED, DIMENSIONS ARE IN METRIC AND TOLERANCES ARE:  
 <0.5mm ±0.05mm 0.5 - 6mm ±0.1mm 6 - 30mm ±0.2mm 30 - 120mm ±0.3mm ANGLES ±1°

NOTICE - These drawings, specifications, or other data (1) are, and remain the property of Amphenol Corp. (2) must be returned upon request; and (3) are confidential and not to be disclosed to any person other than those to whom they are given by Amphenol Corp. the furnishing of these drawings, specifications, or other data by Amphenol Corp., or to any other person to anyone for any purpose is not to be regarded by implication or otherwise in any manner licensing, granting rights to permitting such holder or any other person to manufacture, use or sell any product, process or design, patented or otherwise, that may in any way be related to or disclosed by said drawings, specifications, or other data.

MATERIAL	SEE NOTE	DRAWN	I. XU	DATE	23-Jun-11	TITLE		Amphenol RF	
REFERENCE		ENGINEER	FJ MARSHAL	DATE	06-Feb-53	BNC JACK BULKHEAD		Danbury CT USA, Tainan, Taiwan, Shenzhen, China	
FINISH		APPROVED	S. HSIEH	DATE	23-Jun-11	UG-909/U		www.amphenolrf.com	
		CAD FILE				SCALE: 4.0:1.0	SHEET 2 OF 2	DRAWING NO. 31-206	
						DWG SIZE B	REV V	ITEM NO. 31-206	
								PART NO. 31-206	