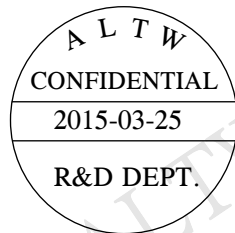
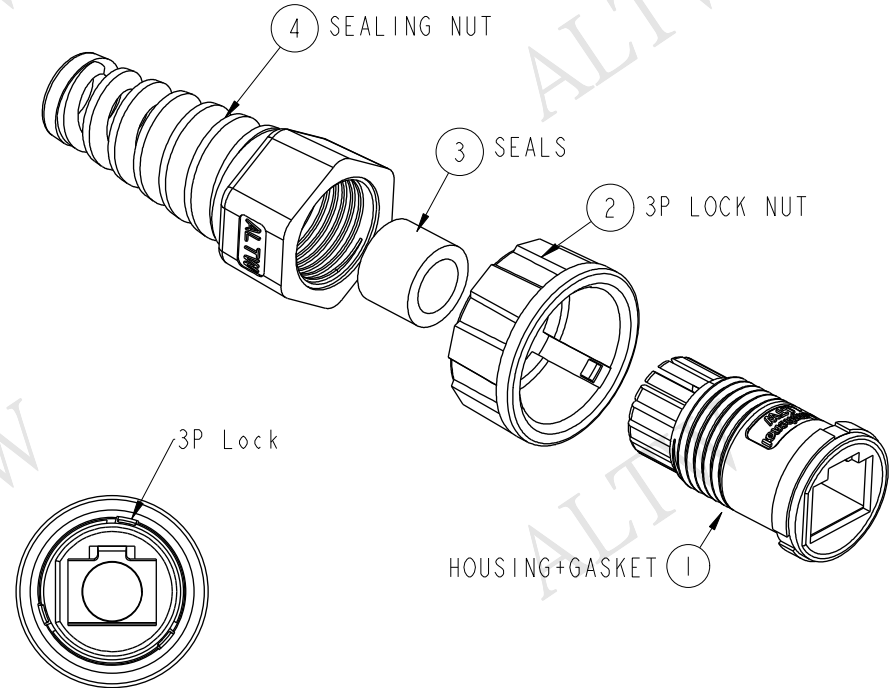
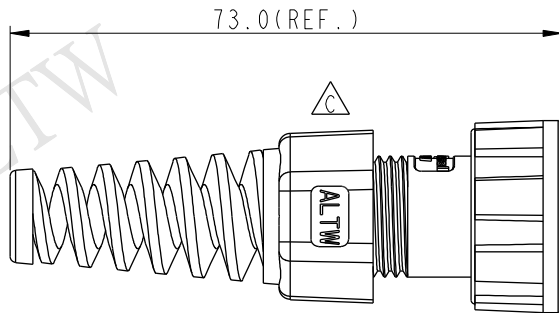
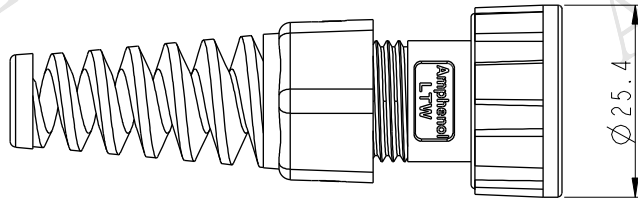


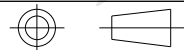


REV.	ECN NO.	DATE	SIGN	DESCRIPTION
B	LE31490139	2014/09/02	Joyy	Change to 94V0 material
C	LEN1540066	2015/03/25	Ruru	Change Logo



- Note:
- * Ⓞ Important Dimension
 - * Waterproof Rate: IP67 (Mating)
 - * Housing: Nylon66, Black
 - * Gasket: Silicone, Gary
 - * ⚠ Lock Nut: Nylon66, Black
 - * ⚠ Sealing Nut: Nylon66, Black
 - * Seals: Silicone, Gray
 - * Seals for cable OD $\text{⌀}4.5\sim6.5\text{mm}$
 - * One Set Unassembled in One PE Bag

UNIT: mm



TOLERANCE
 .X ± 0.25
 .XX ± 0.1
 .XXX ± 0.05
 ANGLES $\pm 1^\circ$

TITLE RJ45 ASSY,CSIZE,3T WITH SR			
SCALE 1:1	SIZE A4	SHEET 1 OF 1	
REV. C	WC-REV. A.7	Ⓞ : Inspection item	

Amphenol LTW
 安費諾亮泰企業股份有限公司

ITEM NO. RCP-00AMMA-TLM7001	DRAWN BY Ruru	DATE 2015-03-25
DWG NO. RCP-00AMMA-TLM7001	CHECKED BY Rita	DATE 2015-03-25
CUSTOMER ALTW	APPROVED BY Lion	DATE 2015-03-25

THIS DOCUMENT IS SUBJECT TO CHANGE WITHOUT NOTICE. IT IS CONFIDENTIAL AND A PROPERTY OF Amphenol LTW. DISCLOSURE TO THIRD PARTY HAS TO BE AUTHORIZED BY Amphenol LTW.