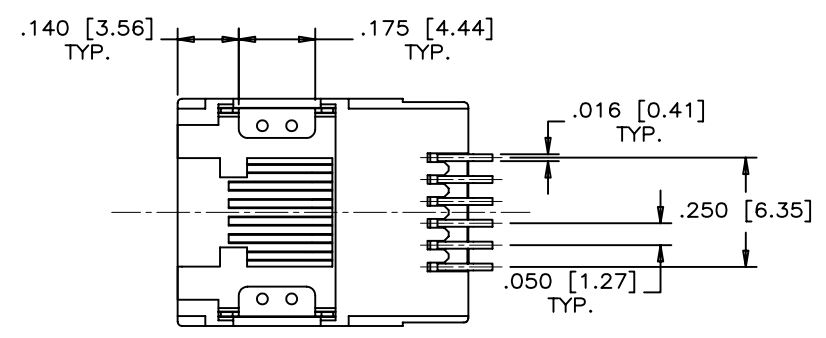
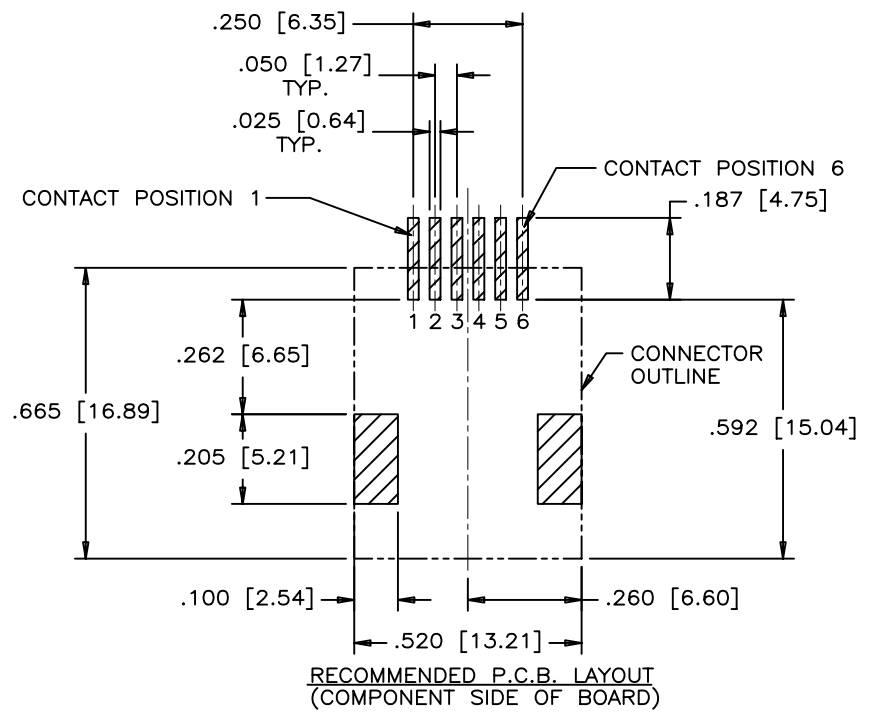
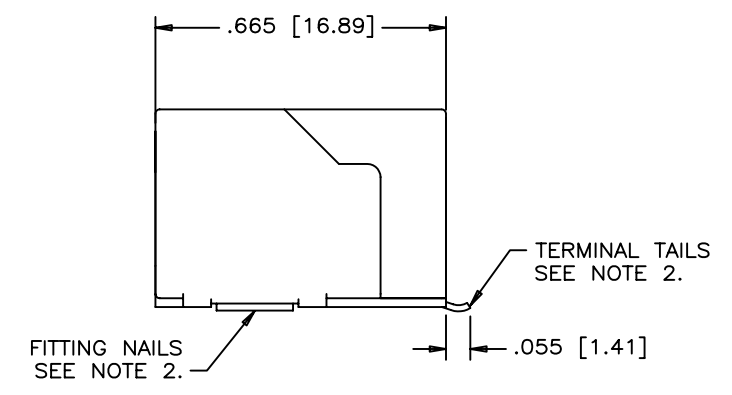
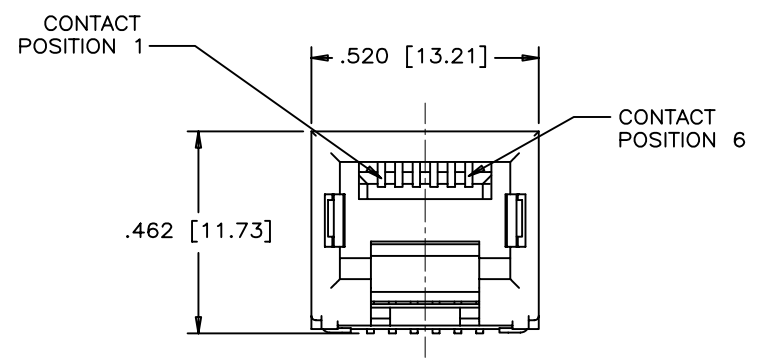


REVISIONS				
SYM	ZONE	ECN, ERN NO.	DATE	APPRD.
A		PROPOSAL DRAWING	JULY 20/05	L.CHAN



NOTES:

1. MATERIALS:

HOUSING: HIGH TEMPERATURE RESISTANT NYLON.
 FLAMMABILITY RATING UL 94V-0
 COLOUR: SEE AMPHENOL PART NUMBER SYSTEM FOR HOUSING OPTIONS

CONTACTS: PHOSPHOR BRONZE
 PLATING: GOLD PLATING: SEE AMPHENOL PART NUMBER SYSTEM FOR PLATING OPTIONS.
 50 MICRO" [1.27 MICRONS] MIN. NICKEL UNDERPLATE.
 100 MICRO" [2.54 MICRONS] MIN. MATTE TIN ON CONTACT TAILS.

2. COPLANARITY SPECIFICATION:

WITH THE MODULAR JACK SITTING ON A LEVEL SURFACE, THE MAXIMUM GAP BETWEEN THE LEVEL SURFACE AND ALL TERMINAL TAILS AND BOTH FITTING NAILS IS .004 [0.10].

AMPHENOL PART NO.: R J L S E - 6 X 0 X X - 0 1 X

- GOLD PLATING
- 0 = GOLD FLASH
- 1 = 15 MICRO" GOLD PLATING
- 2 = 30 MICRO" GOLD PLATING
- 3 = 50 MICRO" GOLD PLATING
- NUMBER OF CONTACTS
- 2 = 2 CONTACTS 3 & 4
- 4 = 4 CONTACTS 2 TO 5
- 6 = 6 CONTACTS 1 TO 6
- PACKAGING
- BLANK = TRAY
- T = TAPE AND REEL
- HOUSING OPTION
- 1 = BLACK HOUSING
- 2 = YELLOW HOUSING
- 3 = RED HOUSING

DRAWN	PWANG	DATE	JULY.20/05	Amphenol Canada Corp.	
DESIGNED					
CHECKED	TERRY	DATE	JULY.20/05	TITLE SURFACE MOUNT MODULAR JACK	
I. E. APPRD.				6 POSITION, CONTACT OPTIONS, WITHOUT SHIELD,	
Q. A. APPRD.				WITH GOLD PLATING AND PACKAGING OPTIONS	
DWG. APPRD.				- RoHS COMPLIANT	
ENG. REL. NO.		DWG	DRAWING NO.	REV.	
REF.	EAR # 12798		P-RJLSE-6X0XX-01X	A	
DIMENSIONS ARE IN	CODE ID. NO.	SCALE	WT.	SURF.	SHEET 1 OF 1
INCHES [mm]	03554				

THIS DOCUMENT CONTAINS PROPRIETARY INFORMATION AND SUCH INFORMATION MAY NOT BE DISCLOSED TO OTHERS FOR ANY PURPOSE OR USED FOR MANUFACTURING PURPOSES WITHOUT WRITTEN PERMISSION FROM AMPHENOL CANADA CORP.