

PRODUCT NUMBER
98416-XXX-XX-XXXLF

PLATING _____
S = 0.38µm GOLD/GXT ON CONTACT AREA
3.81µm TIN LEAD ON TAIL
G = 0.76µm GOLD/GXT ON CONTACT AREA
3.81µm TIN LEAD ON TAIL
F = GOLD FASH ON CONTACT AREA
3.81µm TIN LEAD ON TAIL

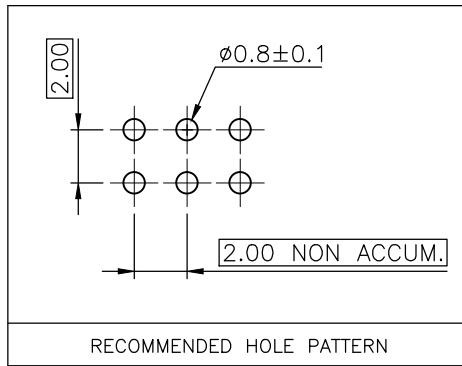
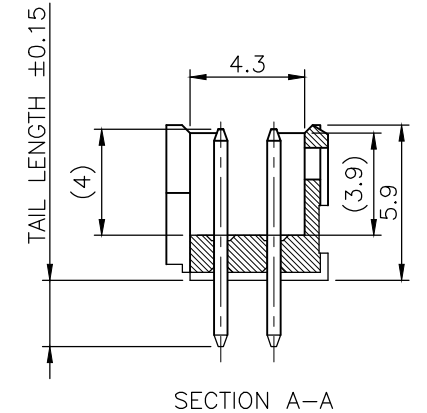
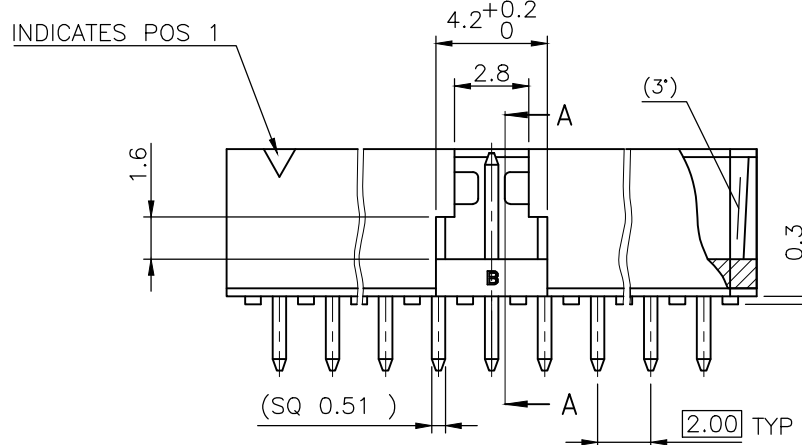
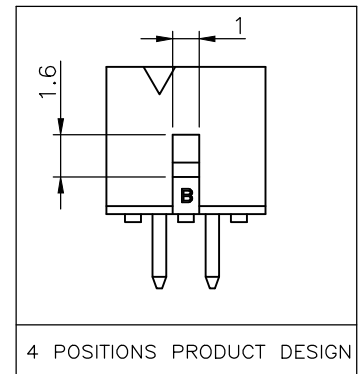
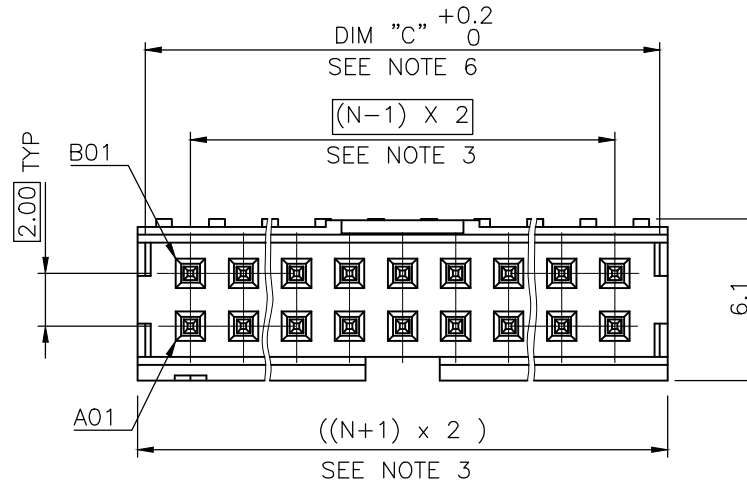
RoHS COMPATIBLE, SEE NOTE 8

POLARIZATION, SEE NOTE 7
PACKAGING, SEE NOTE 5
TOTAL NB OF POS, 04 UP TO 50 ONLY 16 POS TOOLED.
COLOR OPTION NOTE 1

PIN STYLE	TAIL LENGTH
04	2.00
06	2.50
08	3.10
10	3.70

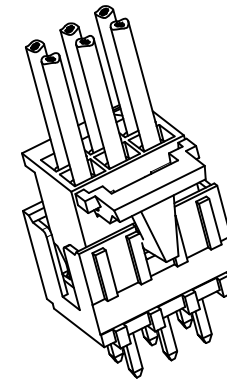
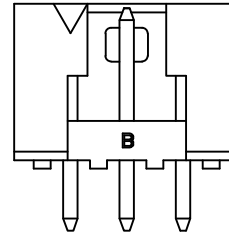
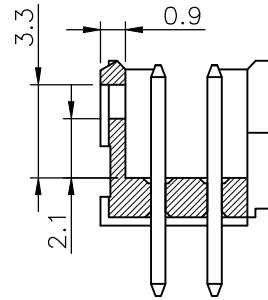
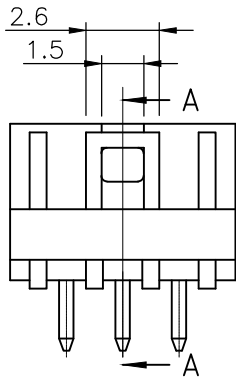
NOTES:

- MATERIAL HOUSING: HIGH TEMP. THERMOPLASTIC UL-94VO
- = STANDARD COLOR CREAM
B = OPTIONAL COLOR BLACK
- MATERIAL TERMINAL: COPPER ALLOY
- TO DETERMINE DIMENSIONS:
N = NUMBER OF POSITIONS PER ROW
- 7N MIN. PIN RETENTION IN EITHER DIRECTION.
- PACKAGING:
= PLASTIC BOX
- = PLASTIC BOX WHEN POLARISATION FEATURE APPLICABLE
U = TUBE AVAILABLE FROM 06 TO 50 POS
- DIM "C" = (N x 2) + 1.4
EXAMPLE: N = 7
DIM "C" = (7 x 2) + 1.4 = 15.4 mm
- FOR POLARIZATION, SPECIFIED PIN
EXAMPLE : A03 = ROW A, POSITION 03 TO OMIT PIN
OMIT FROM PRODUCT NUMBER IF THIS FEATURE IS NOT APPLICABLE.
- RoHS COMPATIBLE PRODUCT SPECIFICATIONS
 - PLATING:
- "LF" MEANS THE PRODUCT IS LEAD-FREE,
2µm MINIMUM MATTE TIN OVER 1.27µm
MINIMUM NICKEL UNDERPLATE.
 - MANUFACTURING PROCESS COMPATIBILITY
- THE HOUSING WILL WITHSTAND EXPOSURE TO
260°C ±5°C SOLDER BATH TEMPERATURE FOR
5 SECONDS IN A WAVE SOLDER APPLICATION
WITH A 1.6mm MIN THICK CIRCUIT BOARD.
 - LABELLING:
- MEETS PACKAGING SPECS AS PER GS-14-920
 - THIS PRODUCT MEETS EUROPEAN DIRECTIVES
AND OTHER COUNTRY REGULATIONS AS DISCRIBED
IN GS-47-0004.

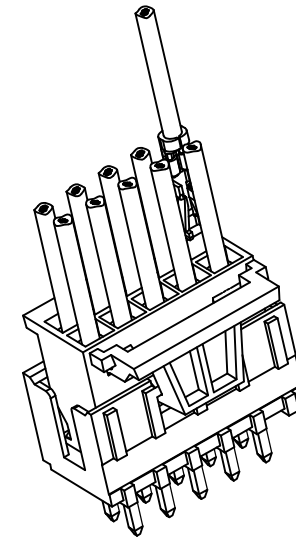
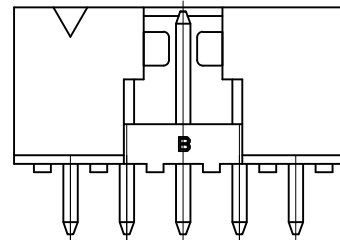
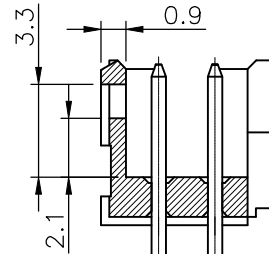
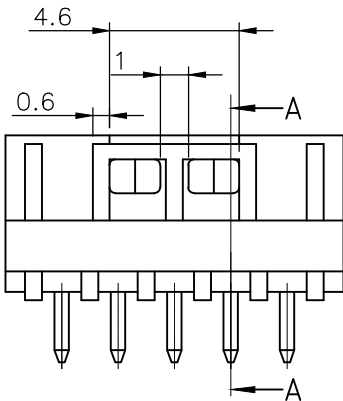


mat'l. code		surface		tolerance		projection		product family	
SEE NOTES		ISO 1302		ISO 406 ISO 101		101		MINITEK	
ltr	ecn no	dr	date	tolerances unless otherwise specified		mm		title	
A		AMA	14.12.11	angles	linear	X.X ±0.3	scale 1:1	SHR HEADER	
B	B-20254	LMU	15.02.16			X.XX ±0.13		2.0MM, HIGH END WALLS	
						X.XXX ±0.05		dwg no	sheet 1 of 2 size
		dr	L.MULIN					98416	A3
		enfr	J.COMPAGNON						
		chr	JCO						
		appd	JCO					type	CUSTOMER Drawing
sheet	revision	B	B						
index	sheet	1	2						





2x3 POS AND 2x4 POS CONFIGURATION
NO LATCHING AVAILABLE FOR 2x2 POS



2x5 POS UP TO 2x25 POS CONFIGURATION

LATCHING FEATURES WHEN USED IN COMBINATION
WITH ACTIVE LATCH HOUSING 10073599

mat'l. code		surface		tolerance		projection		product family	
SEE NOTES		ISO 1302 ✓		ISO 406 ISO		101		MINITEK	
ltr	ecn no	dr	date	tolerances unless otherwise specified		mm		title	
A		AMA	14.12.11	angles	X.X ±0.3	← mm →		SHR HEADER	
B	B-20254	LMU	15.02.16	linear	X.XX ±0.13	scale 1:1		2.0MM, HIGH END WALLS	
					X.XXX ±0.05	FCJ		dwg no 98416 sheet 2 of - size A3	
		dr	L.MULIN		11.05.19			type CUSTOMER Drawing	
		enr	J.COMPAGNON		11.05.19				
		chr	JCO		11.05.20				
		appd	JCO		11.12.02				
sheet	revision								
index	sheet								