

# IR series

## Sealed pushbutton switches - bushing $\varnothing$ 16 mm - momentary

*Distinctive features*

UG1410-A-R1

The IR series is a range of sealed momentary pushbutton switches with dia. 16 mm bushing. This series is divided into 2 families : standard models and microswitch technology models.

### Common features

- Sealed to IP67
- Illuminated or non-illuminated
- Tactile feedback
- Square or round actuator
- Wide choice of bezel and actuator colours
- Wide choice of illumination colours

### Standard versions

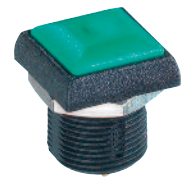
- Numerous terminal options : solder, flying lead, straight PC, quick-connect, screw
- Screw versions withstanding up to 4A
- Electrical function : NO (2 terminals)



NO - Screw terminals



NO - Illuminated  
Flying lead terminals



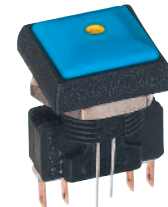
NO - Solder lug  
terminals

### Microswitch versions

- Withstanding up to 5A
- Two electrical functions :  
NC+NO (3 terminals)  
NC/NO combined (4 terminals)



NC+NO - 3 terminals



NC/NO - 4 terminals - Illuminated

### Optional marking

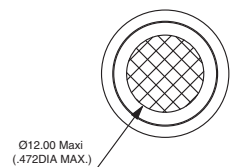
Actuator marking is available on request for models with flat round actuator.



Standard version

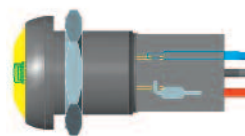


Microswitch version



### Integrated resistor

On wire lead illuminated versions, the LED resistor can be integrated in the product by APEM. On request.





- Screw version up to 4A
- Tactile feedback
- Sealed to IP67
- Illuminated or non-illuminated  
New : illuminated round bezel now available !
- Flat round actuator for optional marking

### ENVIRONMENTAL SPECIFICATIONS

- Front panel sealing : IP67 according to IEC 60529
- Shock resistance : 100 g according to IEC 512-4, test 6c
- Vibration resistance : 10-500Hz - 10 g according to IEC 512-4, test 6d
- Salt spray : IEC 512-6, test 11f
- Operating temperature : -40°C to +85°C

### ELECTRICAL SPECIFICATIONS

- Max. current/voltage rating with resistive load :
  - Gold plated contacts : Code 4 : 200mA 48VDC, 500.000 cycles  
Code 7 : 5A 28VDC, 70.000 cycles
  - Silver contacts (code 2) - screw terminals : 4A 48VDC, 500.000 cycles
- Initial contact resistance : 100 mΩ max.
- Insulation resistance : 1 GΩ min. at 500VDC
- Dielectric strength : 1.500 Vrms

### LED COMPONENT SPECIFICATIONS

LED colour	Forward current	Typ. forward voltage	Max. forward voltage
Super red (0S)	20mA	2,1V	2,3V
Yellow (0Y)	20mA	2,1V	2,3V
Green (0G)	20mA	2,1V	2,3V
Blue (0B)	20mA	3,2V	3,8V
White (0W)	20mA	3,35V	4,25V
Red/green (SG)	20mA	Red:1,95V-Green:2,1V	2,5V

A resistor must be series-connected by the user.

Resistor value =  $\frac{\text{supply voltage} - \text{LED forward voltage}}{\text{LED forward current}}$

On flying lead versions, the LED resistor can be integrated by APEM on request.

### GENERAL SPECIFICATIONS

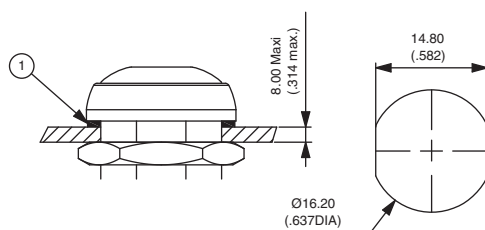
- Panel thickness : 8 mm (.314) max.
- Total travel : 1,6 mm (.062) +/- 0,3 mm
- Typical operating force : 4N +/- 2N
- Low level or mechanical life :  
1.000.000 cycles
- Torque : 0,8 Nm max. applied to nut
- Soldering : 320°C max. for 3 sec.

### MATERIALS

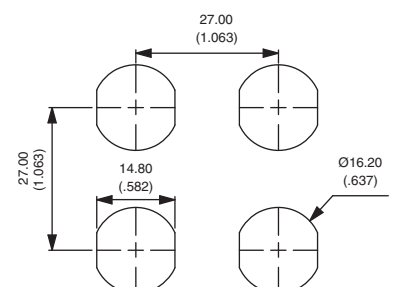
- Case : thermoplastic UL94-V0
- Actuator : polyamide 6/6
- Bushing/bezel : polyamide 6/6
- Contacts :
  - 4 and 7 : silver, gold plated
  - 2 : silver (screw terminals)
- Multi-wire lead AWG20, section 0,6 mm<sup>2</sup>
- LED wire : AWG26, section 0,12 mm<sup>2</sup>
- Lens : polycarbonate
- Terminal seal : epoxy

### PANEL CUT-OUT

① Flat seal



### MATRIX MOUNTING

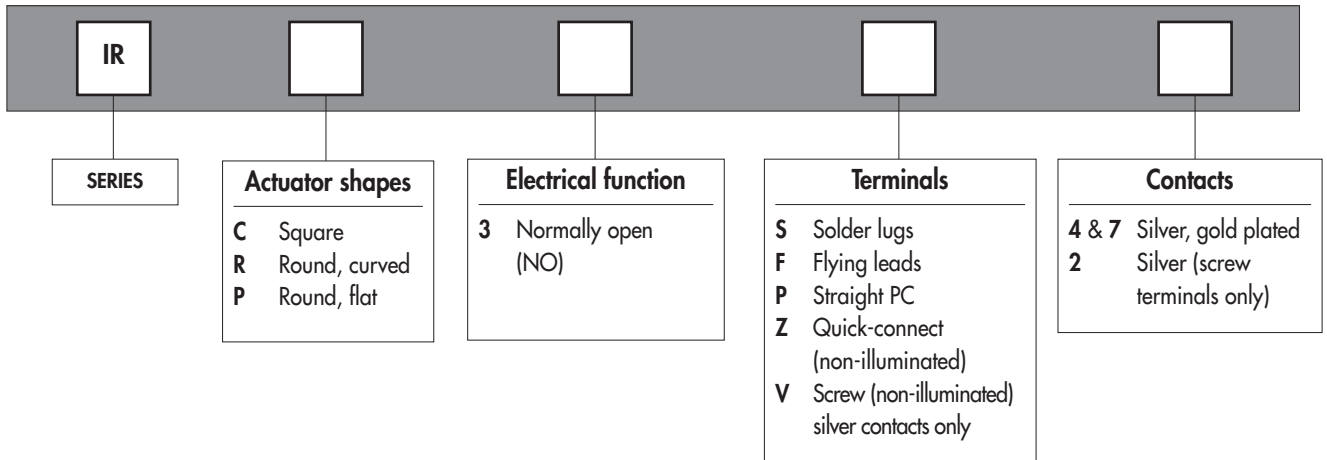


# IR series

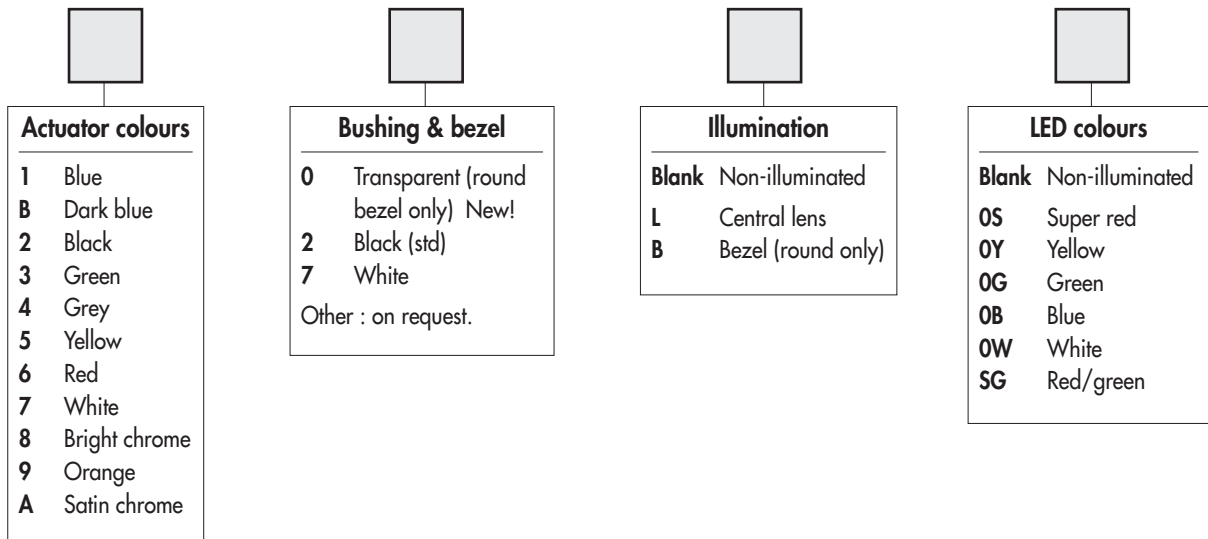
Sealed pushbutton switches - bushing Ø 16 mm - momentary - standard version

Overview

MODEL  
STRUCTURE



OPTIONS



## ABOUT THIS SERIES

On the following pages, you will find successively :  
model structure of switches and options in the same order as in above chart

**Dimensions** : first dimensions are in mm while inches are shown as bracketed numbers.



**NOTICE** : please note that not all combinations of above numbers are available. Refer to the following pages for further information.



**Mounting accessories** : Standard hardware supplied : 1 hex nut 19 mm (.748) across flats and 1 flat seal Hex nut P/N U4116.

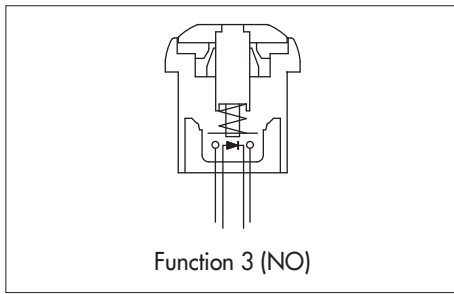


**Packaging unit** : 25 pieces for flying lead models - 40 pieces for other models

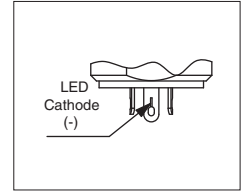
# IR series

## Sealed pushbutton switches - bushing Ø 16 mm - momentary - standard version

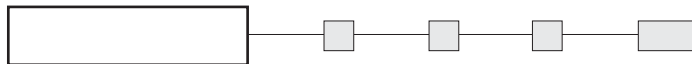
Round - illuminated



- Five LED colours
  - Tin plated LED terminals
  - Gold plated contacts (4 or 7)
- See electrical specifications.  
For high current, replace 4 with 7  
in the part numbers below.



### MODEL STRUCTURE



Actuator marking available on IRP models (symbol 12 mm max.). On request.

### Solder lug terminals

→ Flat



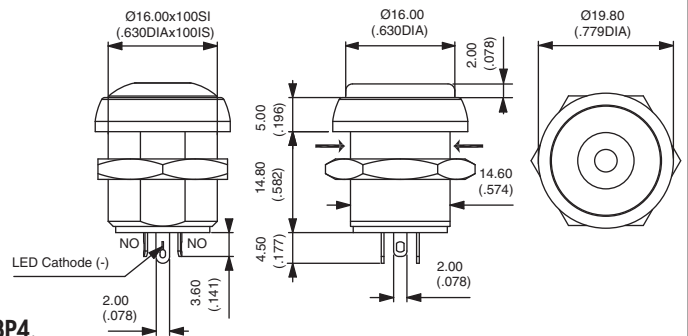
Curved actuator  
**IRR3S4**

Normally Open

Flat actuator  
**IRP3S4**

Normally Open

Also available with straight PC terminals : **IR•3P4**.  
LED colour is indicated by the bottom of the switch.



### Sealed flying lead terminals

→ Flat



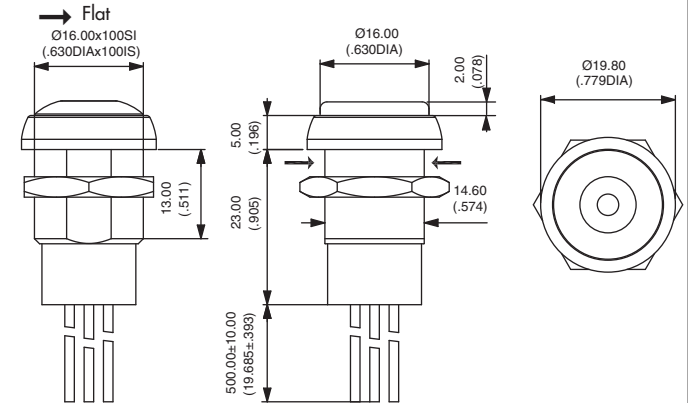
Curved actuator  
**IRR3F4**

Normally Open

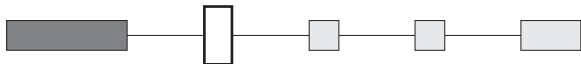
Flat actuator  
**IRP3F4**

Normally Open

Wire colours : black : NO contact,  
red : LED anode (+), blue : LED cathode (-)



### 1. ACTUATOR COLOURS



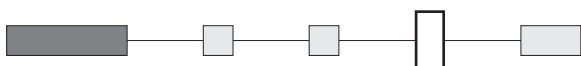
- 1 : blue - B : dark blue - 2 : black - 3 : green - 4 : grey  
5 : yellow - 6 : red - 7 : white - 9 : orange  
8 : bright chrome - A : satin chrome

### 2. BUSHING AND BEZEL



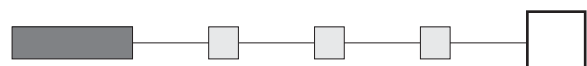
- 2 : black (standard) - 7 : white  
0 : transparent (round bezel only)

### 3. ILLUMINATION



- L : central lens  
B : bezel (round only)

### 4. LED COLOURS

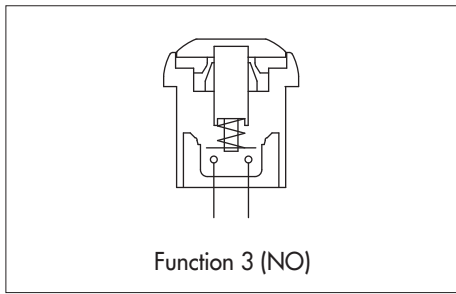


- OS : super red - OY : yellow - OG : green - OB : blue  
OW : white - SG : red/green

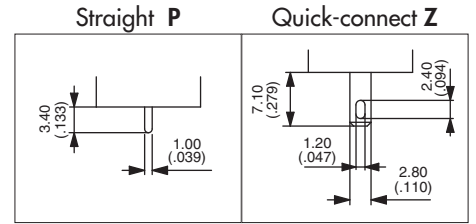
# IR series

## Sealed pushbutton switches - bushing Ø 16 mm - momentary - standard version

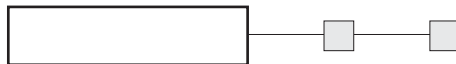
Round - non-illuminated



- Gold plated contacts (4 or 7)  
See electrical specifications.  
For high current, replace 4 with 7  
in the part numbers below.



### MODEL STRUCTURE



Actuator marking available on IRP models (symbol 12 mm max.). On request.

### Solder lug terminals - gold plated contacts



Curved actuator  
**IRR3S4**

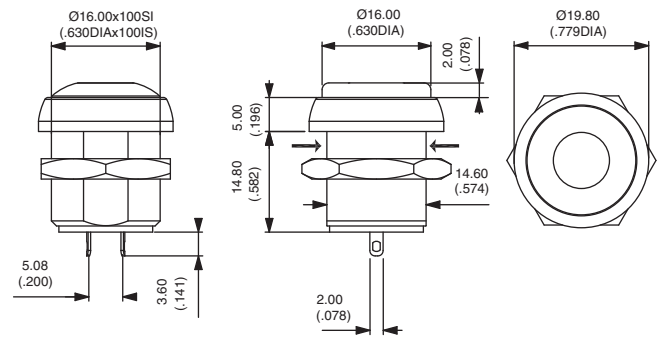


Flat actuator  
**IRP3S4**



Also available with straight PC terminals :  
**IR•3P4** and quick-connect terminals : **IR•3Z4**.

→ Flat



### Sealed flying lead terminals - gold plated contacts



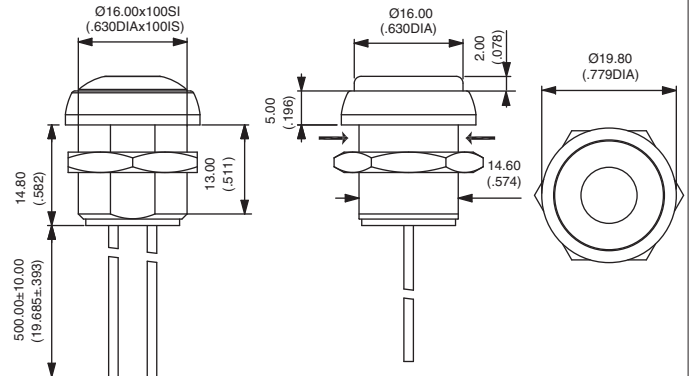
Curved actuator  
**IRR3F4**



Flat actuator  
**IRP3F4**



→ Flat



### Screw terminals - silver contacts



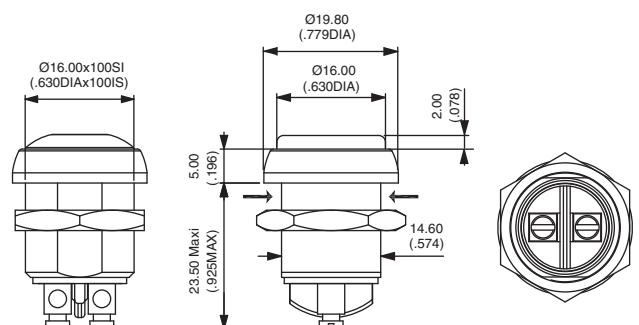
Curved actuator  
**IRR3V2**



Flat actuator  
**IRP3V2**



→ Flat

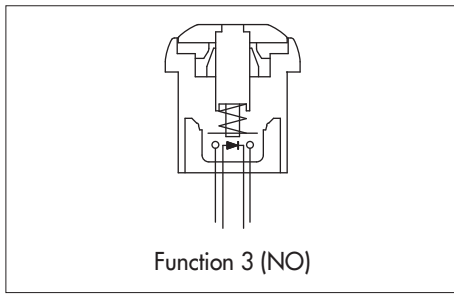


Actuator colour and bushing/bezel : select the desired codes on previous page.

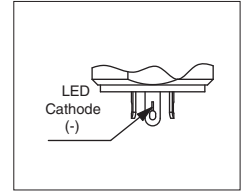
# IR series

## Sealed pushbutton switches - bushing $\varnothing$ 16 mm - momentary - standard version

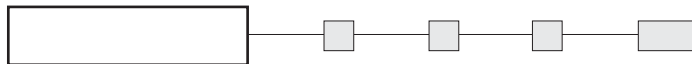
Square - illuminated



- Five LED colours
  - Tin plated LED terminals
  - Gold plated contacts (4 or 7)
- See electrical specifications.  
For high current, replace 4 with 7  
in the part numbers below.



### MODEL STRUCTURE



### Solder lug terminals



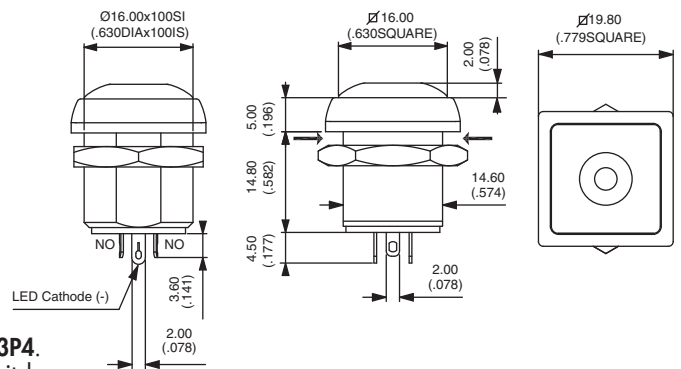
IRC3S4



Normally Open

Also available with straight PC terminals : **IRC3P4**.  
LED colour is indicated by the bottom of the switch.

→ Flat



### Sealed flying lead terminals



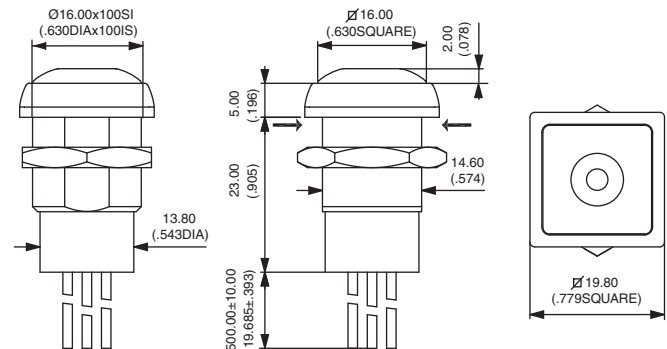
IRC3F4



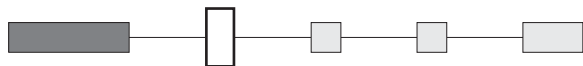
Normally Open

Wire colours : black : NO contact,  
red : LED anode (+), blue : LED cathode (-)

→ Flat



### 1. ACTUATOR COLOURS



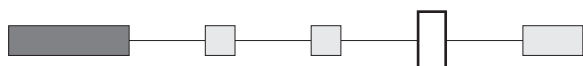
- 1 : blue - B : dark blue - 2 : black - 3 : green - 4 : grey  
5 : yellow - 6 : red - 7 : white - 9 : orange  
8 : bright chrome - A : satin chrome

### 2. BUSHING AND BEZEL



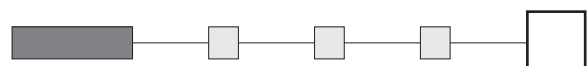
- 2 : black (standard) - 7 : white

### 3. ILLUMINATION



- L : central lens

### 4. LED COLOURS

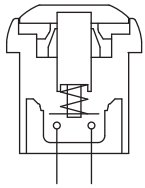


- 0S : super red - 0Y : yellow - 0G : green - 0B : blue  
0W : white - SG : red/green

# IR series

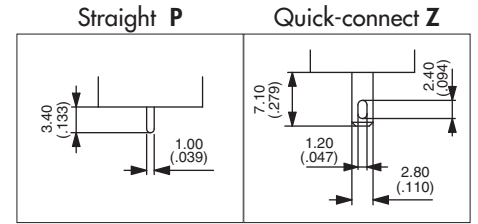
## Sealed pushbutton switches - bushing Ø 16 mm - momentary - standard version

Square - non-illuminated



Function 3 (NO)

- Gold plated contacts (4 or 7)  
See electrical specifications.  
For high current, replace 4 with 7  
in the part numbers below.

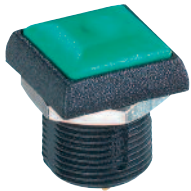


MODEL  
STRUCTURE



B1

### Solder lug terminals - gold plated contacts

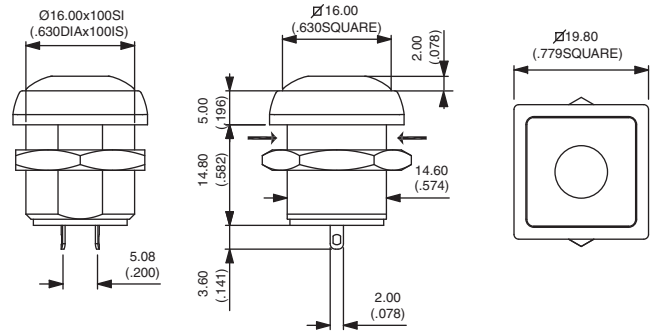


IRC3S4



Normally Open

→ Flat



Also available with straight PC terminals :  
IRC3P4 or quick-connect terminals : IRC3Z4.

### Sealed flying lead terminals - gold plated contacts

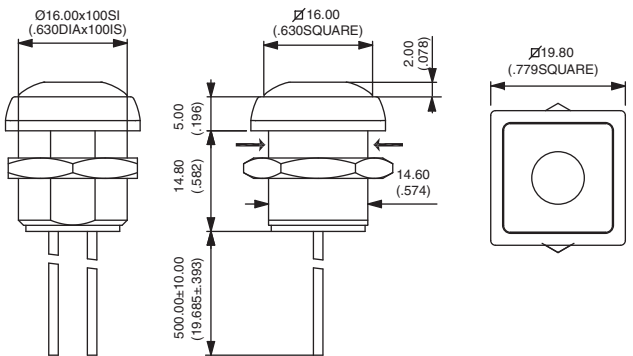


IRC3F4



Normally Open

→ Flat



### Screw terminals - silver contacts

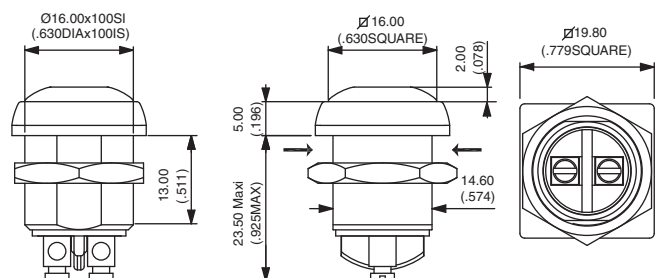


IRC3V2

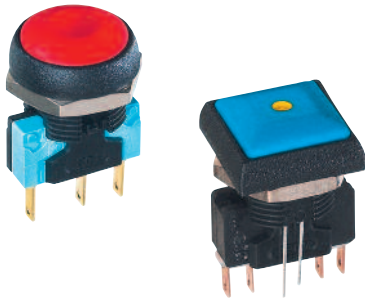


Normally Open

→ Flat



Actuator colour and bushing/bezel : select the desired codes on previous page.



- Microswitch technology up to 5A
- Tactile feedback
- Sealed to IP67
- Illuminated or non-illuminated  
New : illuminated round bezel now available !
- Flat round actuator for optional marking

### ENVIRONMENTAL SPECIFICATIONS

- Front panel sealing : IP67 according to IEC 60529
- Salt spray : IEC 512-6, test 11f
- Operating temperature : -20°C to +85°C

### ELECTRICAL SPECIFICATIONS

- Max. current/voltage rating with resistive load :  
5A 250VAC, 50.000 cycles (function 7)  
5A 250VAC, 25.000 cycles (function 8)
- Initial contact resistance : 100 mΩ max.
- Insulation resistance : 1 GΩ min. at 500VDC
- Dielectric strength : 750 Vrms between terminals  
2.000 Vrms between terminals and frame

### LED COMPONENT SPECIFICATIONS

LED colour	Forward current	Typ. forward voltage	Max. forward voltage
Super red (OS)	20mA	2V	2,5V
Yellow (OY)	20mA	2V	2,5V
Green (OG)	10mA	2V	2,5V
Blue (OB)	10mA	3,3V	3,8V

A resistor must be series-connected by the user.  
Resistor value =  $\frac{\text{supply voltage} - \text{LED forward voltage}}{\text{LED forward current}}$

### GENERAL SPECIFICATIONS

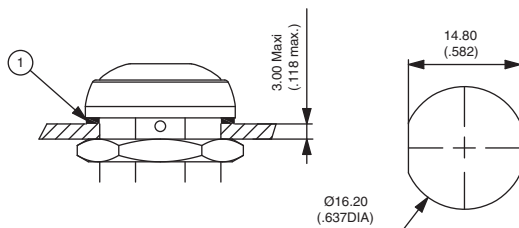
- Panel thickness : 3 mm (.118) max.
- Total travel : 1,6 mm (.062) +/- 0,3 mm
- Typical operating force : 4N +/- 2N
- Mechanical life : 1.000.000 cycles
- Torque : 0,8 Nm max. applied to nut
- Soldering : 320°C max. for 3 sec.

### MATERIALS

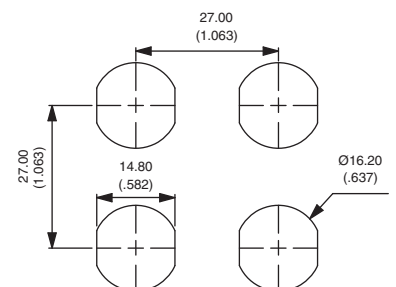
- Case : thermoplastic UL94-V0
- Actuator : polyamide 6/6
- Bushing/bezel : polyamide 6/6
- Contacts : silver
- Lens : polycarbonate

### PANEL CUT-OUT

① Flat seal



### MATRIX MOUNTING



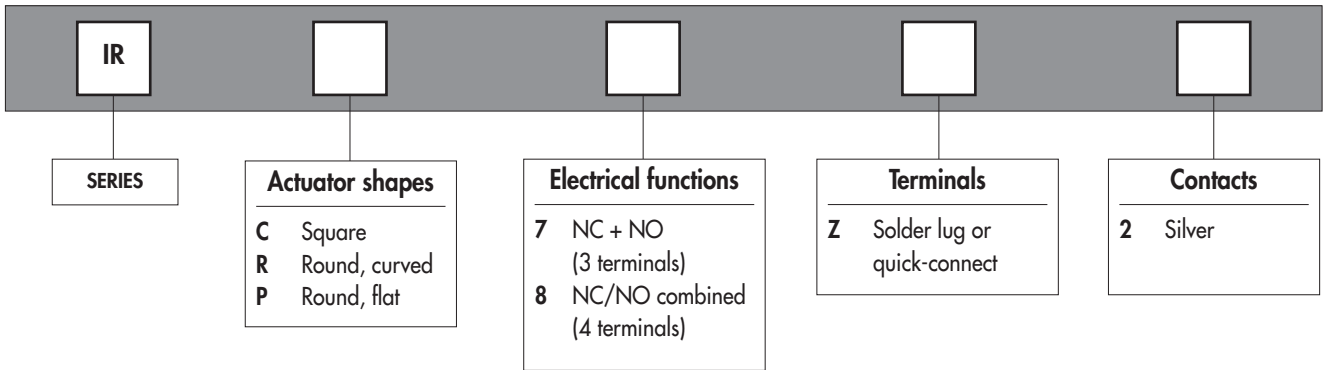


# IR series

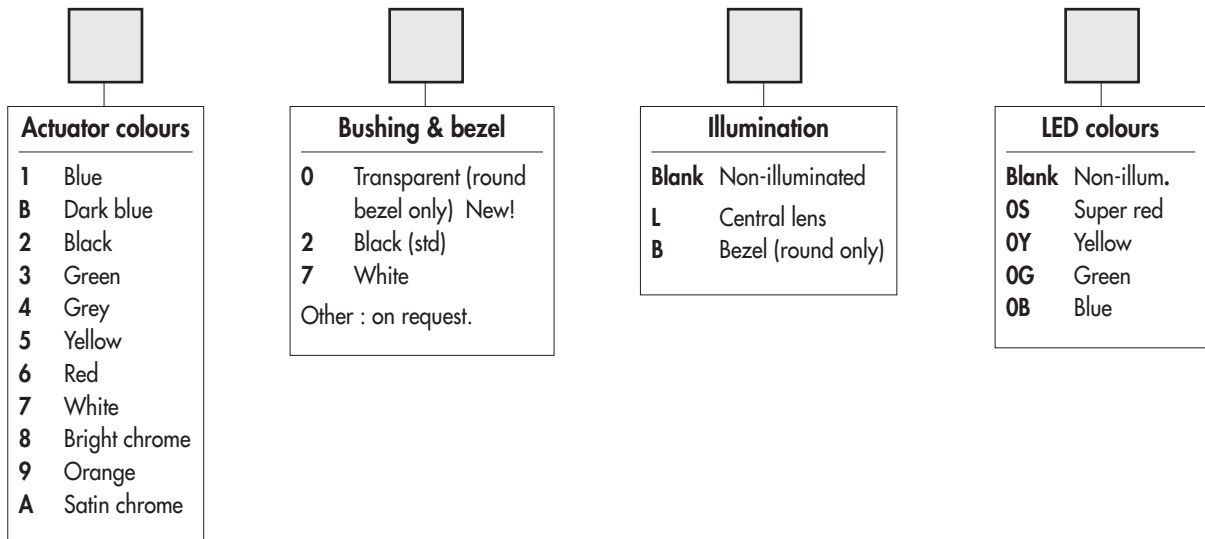
## Sealed pushbutton switches - bushing Ø 16 mm - momentary - microswitch version

### Overview

MODEL  
STRUCTURE



OPTIONS



The IR series for high currents is based on a microswitch. Please note that this microswitch is supplied separately.

#### ABOUT THIS SERIES

On the following pages, you will find successively :  
 model structure of switches and options in the same order as in above chart

**Dimensions** : first dimensions are in mm while inches are shown as bracketted numbers.



**NOTICE** : please note that not all combinations of above numbers are available.  
 Refer to the following pages for further information.



**Mounting accessories** : Standard hardware supplied : 1 hex nut 19 mm (.748) across flats and 1 flat seal.  
 Hex nut P/N : U4116

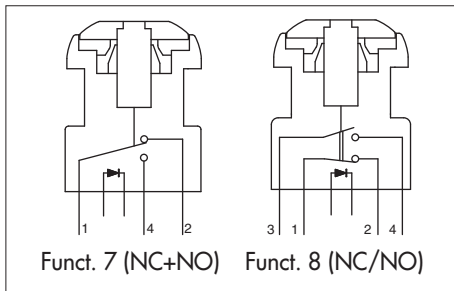


**Packaging unit** : 25 pieces for flying lead models - 40 pieces for other models

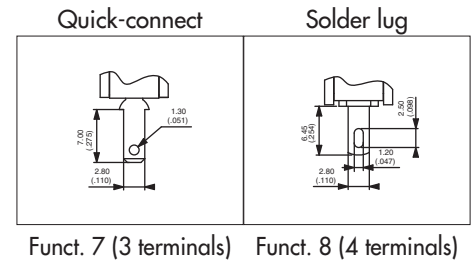
# IR series

## Sealed pushbutton switches - bushing Ø 16 mm - momentary - microswitch version

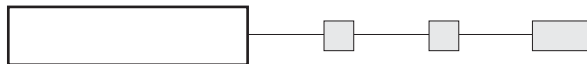
Round - illuminated



- Four LED colours
- Tin plated LED terminals
- Silver contacts



### MODEL STRUCTURE

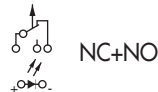


Actuator marking available on IRP models (symbol 12 mm max.). On request.

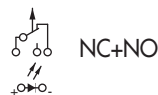
### Quick-connect terminals - NC+NO - 3 terminals



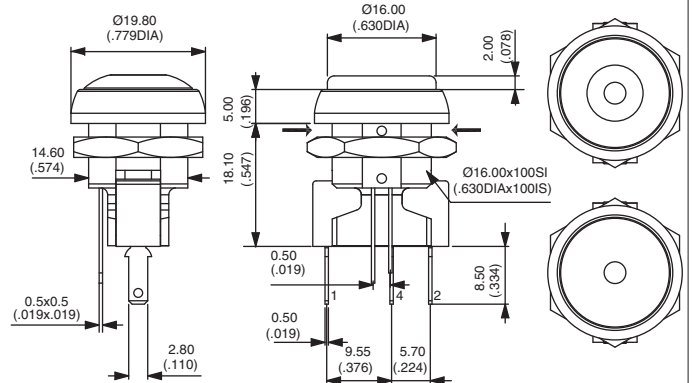
Curved actuator  
**IRR7Z2**



Flat actuator  
**IRP7Z2**



→ Flat



### Solder lug terminals - NC/NO - 4 terminals



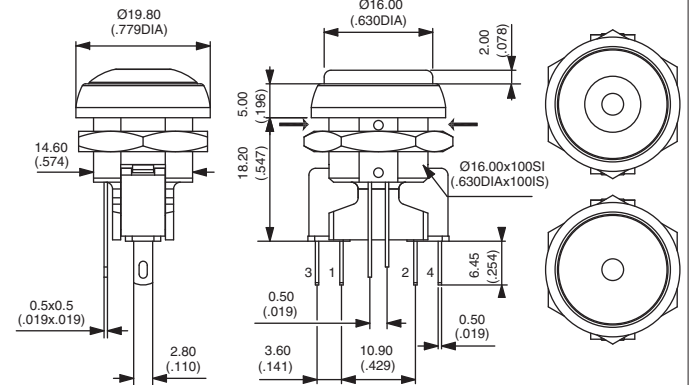
Curved actuator  
**IRR8Z2**



Flat actuator  
**IRP8Z2**

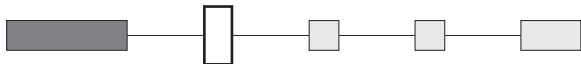


→ Flat



Terminals should be used as solder lugs only.

### 1. ACTUATOR COLOURS



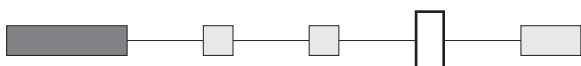
1 : blue - B : dark blue - 2 : black - 3 : green - 4 : grey  
5 : yellow - 6 : red - 7 : white - 9 : orange  
8 : bright chrome - A : satin chrome

### 2. BUSHING AND BEZEL



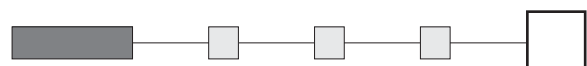
2 : black (standard) - 7 : white  
0 : transparent (round bezel only)

### 3. ILLUMINATION



L : central lens  
B : bezel (round only)

### 4. LED COLOURS

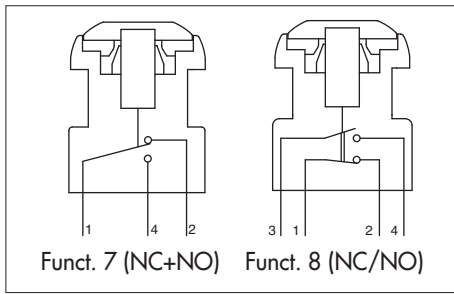


0S : super red - 0Y : yellow - 0G : green - 0B : blue

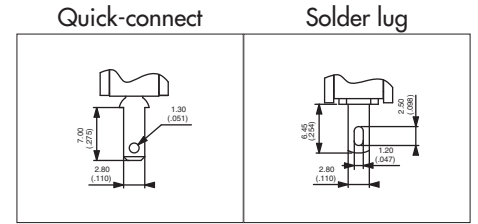
# IR series

## Sealed pushbutton switches - bushing Ø 16 mm - momentary - microswitch version

Round - non-illuminated



• Silver contacts



### MODEL STRUCTURE



Actuator marking available on IRP models (symbol 12 mm max.). On request.

B1

### Quick-connect terminals - NC+NO - 3 terminals



Curved actuator  
**IRR7Z2**



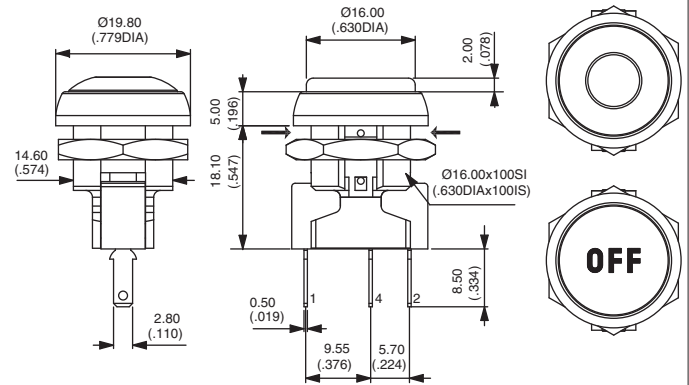
NC+NO

Flat actuator  
**IRP7Z2**



NC+NO

→ Flat



### Solder lug terminals - NC/NO - 4 terminals



Curved actuator  
**IRR8Z2**



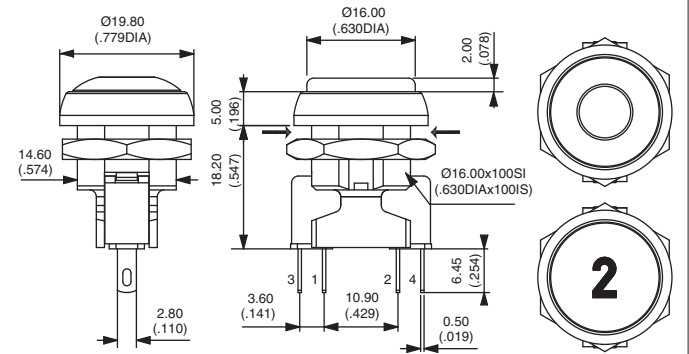
NC/NO combined

Flat actuator  
**IRP8Z2**



NC/NO combined

→ Flat



Terminals should be used as solder lugs only.

### ACTUATOR COLOURS



1 : blue - B : dark blue - 2 : black - 3 : green - 4 : grey - 5 : yellow - 6 : red - 7 : white - 9 : orange - 8 : bright chrome  
A : satin chrome

### BUSHING AND BEZEL FINISH

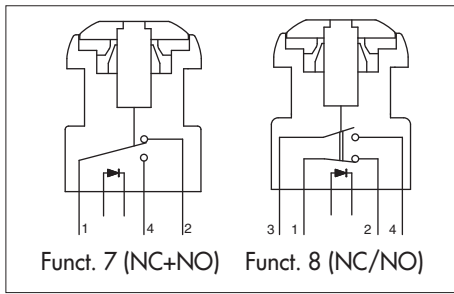


2 : black (standard) - 7 : white

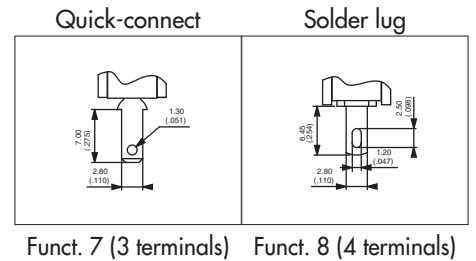
# IR series

## Sealed pushbutton switches - bushing Ø 16 mm - momentary - microswitch version

Square - illuminated

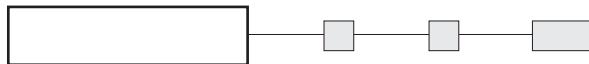


- Four LED colours
- Tin plated LED terminals
- Silver contacts



Funct. 7 (3 terminals)    Funct. 8 (4 terminals)

MODEL  
STRUCTURE



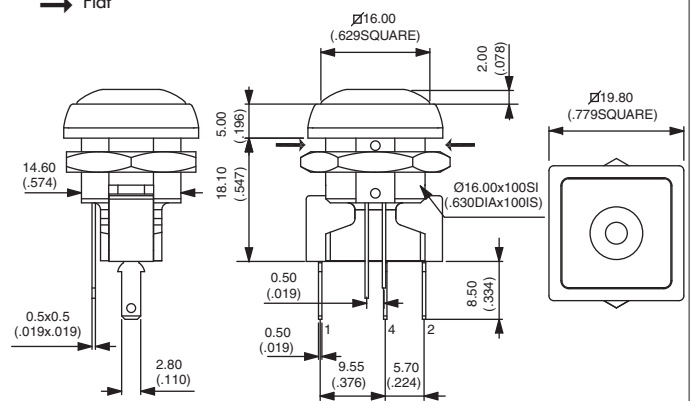
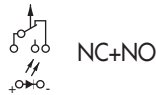
B1

### Quick-connect terminals - NC+NO - 3 terminals

→ Flat

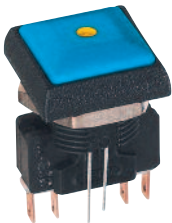


IRC7Z2

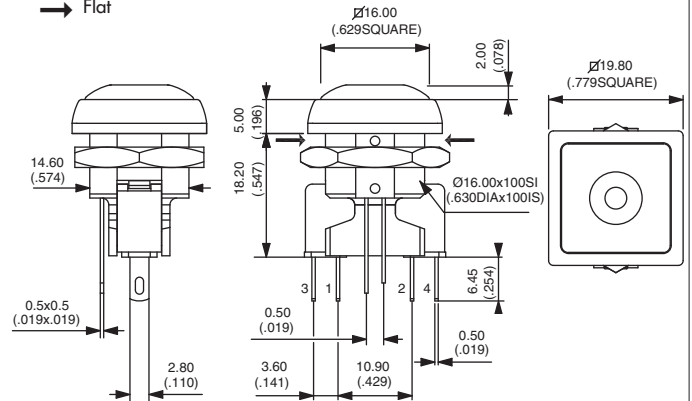


### Solder lug terminals - NC/NO - 4 terminals

→ Flat

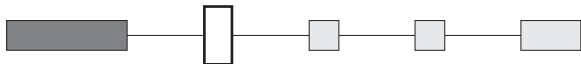


IRC8Z2



Terminals should be used as solder lugs only.

#### 1. ACTUATOR COLOURS



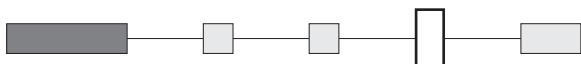
1 : blue - B : dark blue - 2 : black - 3 : green - 4 : grey  
5 : yellow - 6 : red - 7 : white - 9 : orange  
8 : bright chrome - A : satin chrome

#### 2. BUSHING AND BEZEL



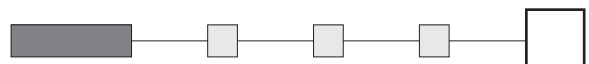
2 : black (standard) - 7 : white

#### 3. ILLUMINATION



L : central lens

#### 4. LED COLOURS

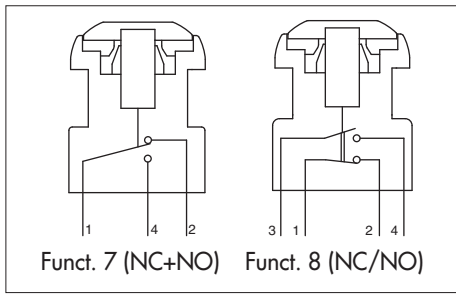


0S : super red - 0Y : yellow - 0G : green - 0B : blue

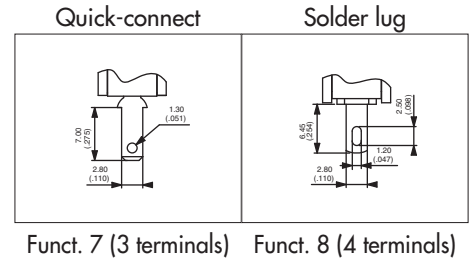
# IR series

Sealed pushbutton switches - bushing Ø 16 mm - momentary - microswitch version

Square - non-illuminated



• Silver contacts



MODEL STRUCTURE



B1

Funct. 7 (3 terminals)    Funct. 8 (4 terminals)

## Quick-connect terminals - NC+NO - 3 terminals

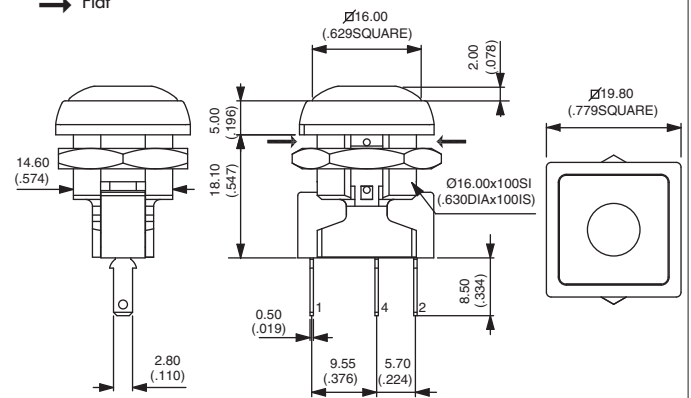


IRC7Z2



NC+NO

→ Flat



## Solder lug terminals - NC/NO - 4 terminals

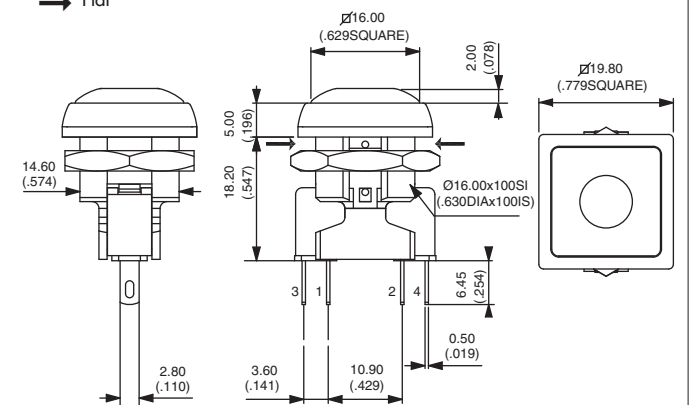


IRC8Z2



NC/NO combined

→ Flat



Terminals should be used as solder lugs only.

## ACTUATOR COLOURS



1 : blue - B : dark blue - 2 : black - 3 : green - 4 : grey - 5 : yellow - 6 : red - 7 : white - 9 : orange - 8 : bright chrome  
A : satin chrome

## BUSHING AND BEZEL FINISH



2 : black (standard) - 7 : white

# IR series

## Sealed pushbutton switches - bushing Ø 16 mm - latching

*Distinctive features and specifications*

UG1410-A-R1



- Latching action models
- Sealed to IP67
- Illuminated or non-illuminated  
New : illuminated round bezel now available !
- Flat round actuator for optional marking

### ENVIRONMENTAL SPECIFICATIONS

- Front panel sealing : IP67 according to IEC 60529
- Shock resistance : 100 g according to IEC 512-4, test 6c
- Vibration resistance : 10-500Hz - 10 g according to IEC 512-4, test 6d
- Salt spray : IEC 512-6, test 11f
- Operating temperature : -40°C to +85°C

### ELECTRICAL SPECIFICATIONS

- Max. current/voltage rating with resistive load (gold plated contacts) :
  - Code 4 : 100mA 24VDC, 200.000 cycles
  - Code 7 : 4A 12VDC, 200.000 cycles
  - 1A 48VDC, 200.000 cycles
  - 3A 48VDC, 75.000 cycles
- Initial contact resistance : 100 mΩ max.
- Insulation resistance : 1 GΩ min. at 500VDC
- Dielectric strength : 1.500 Vrms between terminals

### LED COMPONENT SPECIFICATIONS

LED colour	Forward current	Typ. forward voltage	Max. forward voltage
Super red (OS)	20mA	1,95V	1,95V
Yellow (OY)	20mA	2V	2,05V
Green (OG)	20mA	2,1V	2,5V
Blue (OB)	20mA	3,2V	4V

A resistor must be series-connected by the user.

Resistor value =  $\frac{\text{supply voltage} - \text{LED forward voltage}}{\text{LED forward current}}$

On flying lead versions, the LED resistor can be integrated by APEM on request.

### GENERAL SPECIFICATIONS

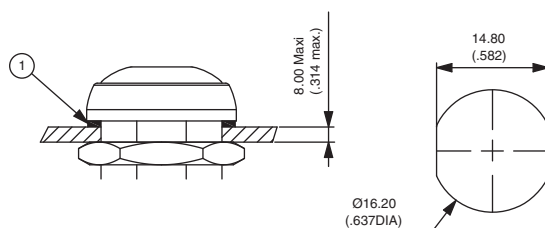
- Panel thickness : 8 mm (.314) max.
- Total travel : 2,5 mm (.098) +/- 0,3 mm
- Typical operating force : 5N +/- 2N
- Low level or mechanical life :  
200.000 cycles
- Torque : 0,8 Nm max. applied to nut
- Soldering : 320°C max. for 3 sec.

### MATERIALS

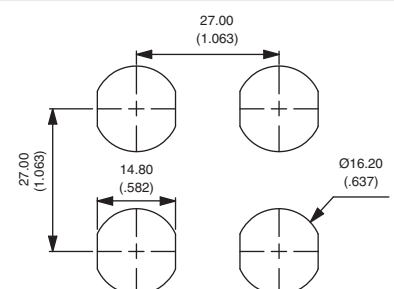
- Case : thermoplastic UL94-V0
- Plunger : polyamide
- Bushing/bezel : polyamide
- Contacts : silver, gold plated (codes 4 and 7)
- Multi-wire lead AWG20, section 0,6 mm<sup>2</sup>
- LED wire : AWG26, section 0,12 mm<sup>2</sup>
- Lens : polycarbonate
- Terminal seal : epoxy

### PANEL CUT-OUT

① Flat seal



### MATRIX MOUNTING

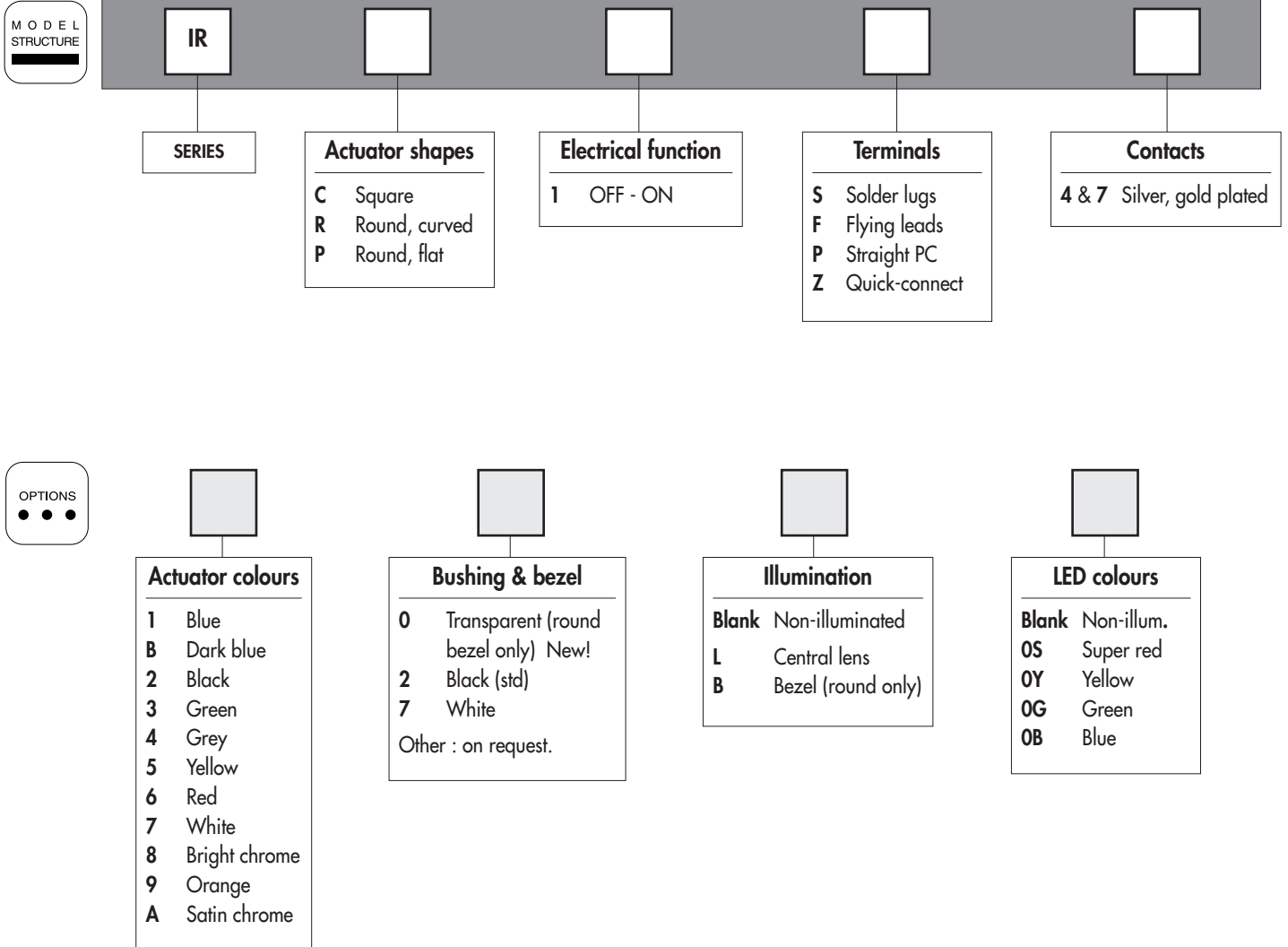


The company reserves the right to change specifications without notice.

# IR series

## Sealed pushbutton switches - bushing Ø 16 mm - latching

### Overview



### ABOUT THIS SERIES

On the following pages, you will find successively :  
model structure of switches and options in the same order as in above chart

**Dimensions** : first dimensions are in mm while inches are shown as bracketed numbers.



**NOTICE** : please note that not all combinations of above numbers are available.  
Refer to the following pages for further information.



**Mounting accessories** : Standard hardware supplied : 1 hex nut 19 mm (.748) across flats and 1 flat seal  
Hex nut P/N U4116.

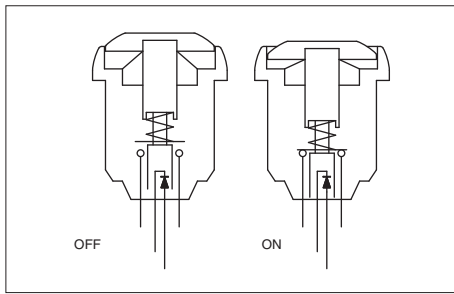


**Packaging unit** : 25 pieces for flying lead models - 40 pieces for other models

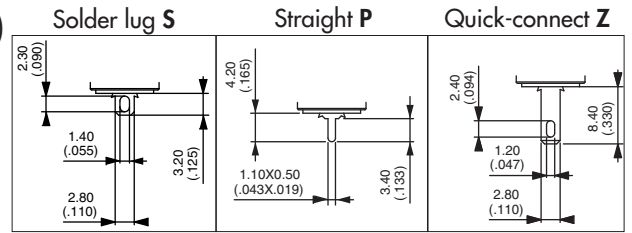
# IR series

## Sealed pushbutton switches - bushing Ø 16 mm - latching

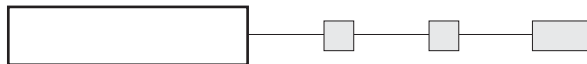
Round - illuminated



- Four LED colours
  - Tin plated LED terminals
  - Gold plated contacts (4 or 7)
- See electrical specifications.  
For high current, replace 4 with 7 in the P/Ns below.



### MODEL STRUCTURE



Plunger marking available on IRP models (symbol 12 mm max.). On request.

### Solder lug terminals



Curved actuator  
**IRR1S4**

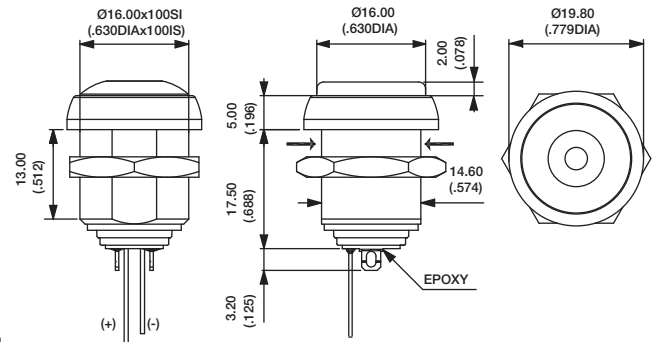
OFF - ON

Flat actuator  
**IRP1S4**

OFF - ON

Also available with straight PC terminals : **IR•1P4**  
& quick-connect terminals : **IR•1Z4**.

→ Flat



### Sealed flying lead terminals



Curved actuator  
**IRR1F4**

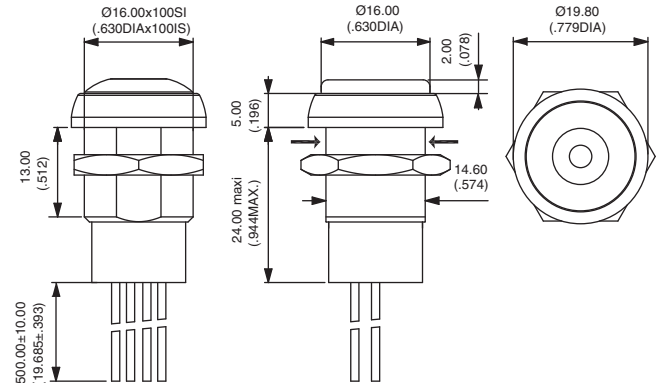
OFF - ON

Flat actuator  
**IRP1F4**

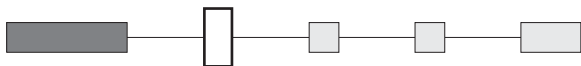
OFF - ON

Wire colours : black : contact,  
red : LED anode (+), blue : LED cathode (-)

→ Flat



### 1. ACTUATOR COLOURS



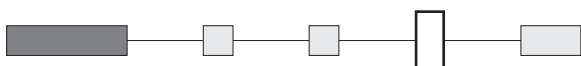
1 : blue - B : dark blue - 2 : black - 3 : green - 4 : grey  
5 : yellow - 6 : red - 7 : white - 9 : orange  
8 : bright chrome - A : satin chrome

### 2. BUSHING AND BEZEL



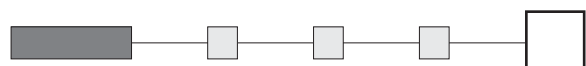
2 : black (standard) - 7 : white  
0 : transparent (round bezel only)

### 3. ILLUMINATION



L : central lens  
B : bezel (round only)

### 4. LED COLOURS



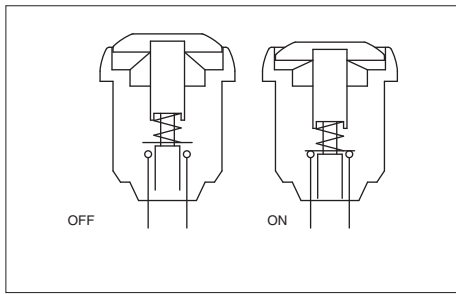
0S : super red - 0Y : yellow - 0G : green - 0B : blue



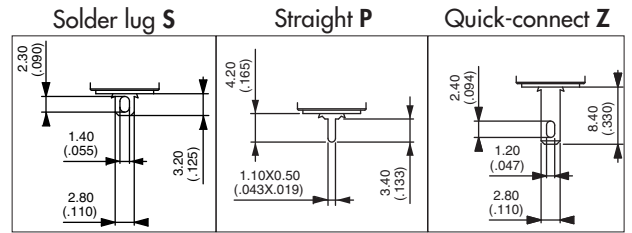
# IR series

## Sealed pushbutton switches - bushing Ø 16 mm - latching

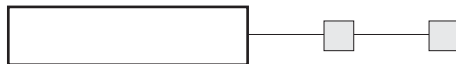
Round - non-illuminated



- Gold plated contacts (4 or 7)  
See electrical specifications.  
For high current, replace 4 with 7 in the P/Ns below.



### MODEL STRUCTURE



Plunger marking available on IRP models (symbol 12 mm max.). On request.

### Solder lug terminals



Curved actuator  
**IRR1S4**

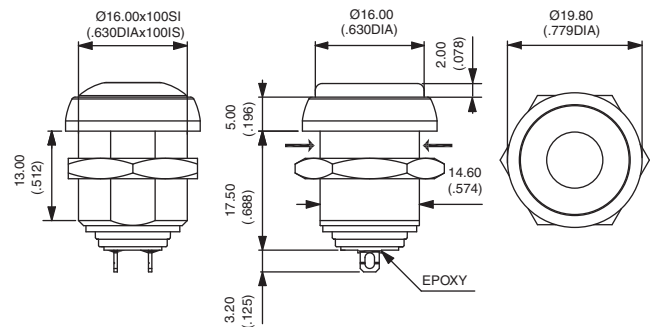
OFF - ON

Flat actuator  
**IRP1S4**

OFF - ON

Also available with straight PC terminals : **IR•1P4**  
& quick-connect terminals : **IR•1Z4**.

→ Flat



### Sealed flying lead terminals



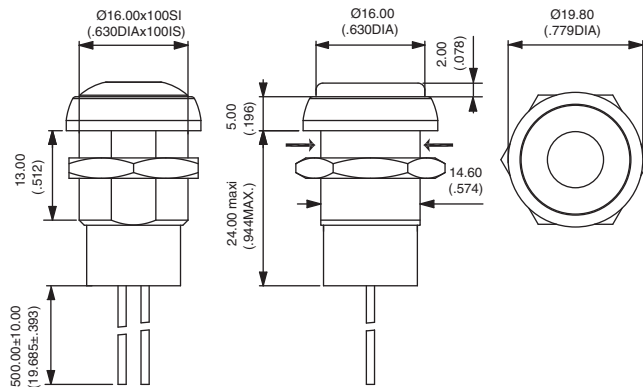
Curved actuator  
**IRR1F4**

OFF - ON

Flat actuator  
**IRP1F4**

OFF - ON

→ Flat



### ACTUATOR COLOURS



1 : blue - B : dark blue - 2 : black - 3 : green - 4 : grey - 5 : yellow - 6 : red - 7 : white - 8 : bright chrome - 9 : orange  
A : satin chrome

### BUSHING AND BEZEL FINISH

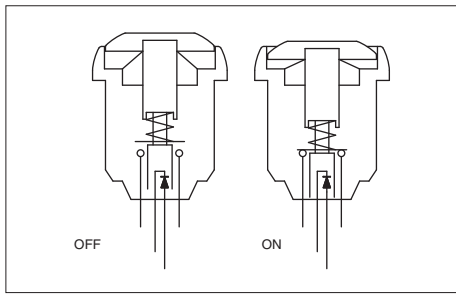


2 : black (standard)

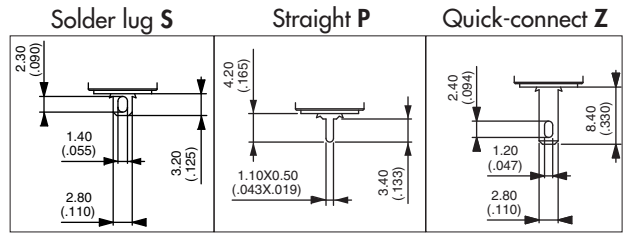
# IR series

## Sealed pushbutton switches - bushing Ø 16 mm - latching

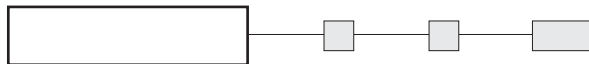
Square - illuminated



- Four LED colours
  - Tin plated LED terminals
  - Gold plated contacts (4 or 7)
- See electrical specifications.  
For high current, replace 4 with 7 in the P/Ns below.



### MODEL STRUCTURE



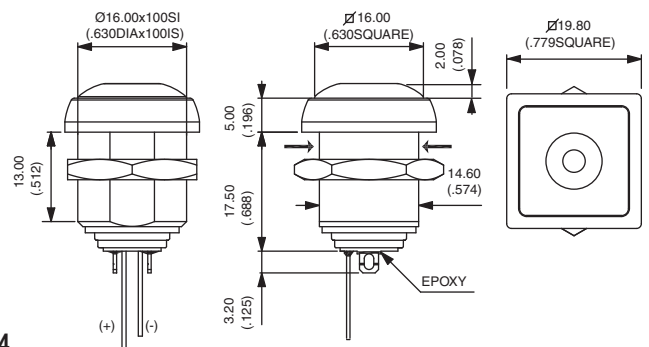
### Solder lug terminals



Curved actuator  
**IRC154**

OFF - ON

→ Flat



Also available with straight PC terminals : **IRC1P4**  
& quick-connect terminals : **IRC1Z4**.

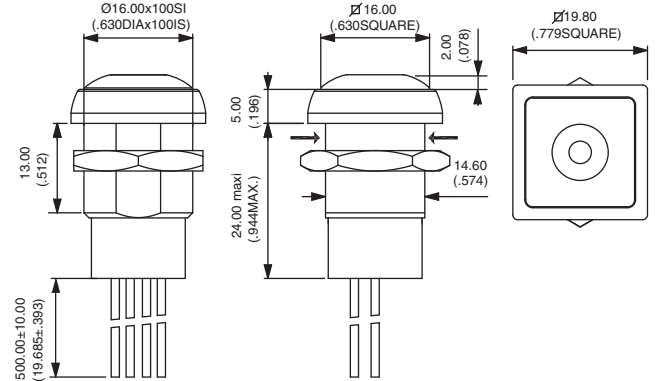
### Sealed flying lead terminals



Curved actuator  
**IRC1F4**

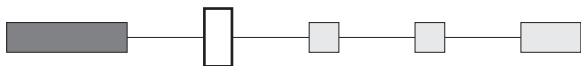
OFF - ON

→ Flat



Wire colours : black : contact,  
red : LED anode(+), blue : LED cathode (-)

### 1. ACTUATOR COLOURS



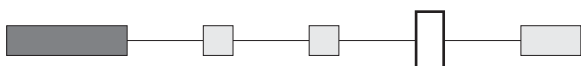
1 : blue - B : dark blue - 2 : black - 3 : green - 4 : grey  
5 : yellow - 6 : red - 7 : white - 9 : orange  
8 : bright chrome - A : satin chrome

### 2. BUSHING AND BEZEL



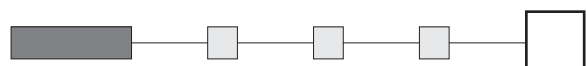
2 : black (standard) - 7 : white

### 3. ILLUMINATION



L : central lens

### 4. LED COLOURS

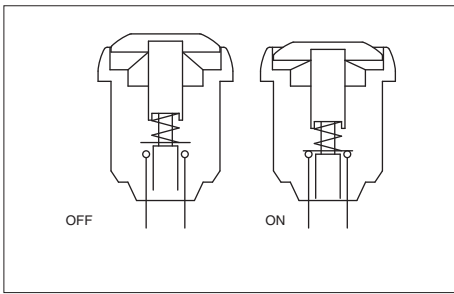


0S : super red - 0Y : yellow - 0G : green - 0B : blue

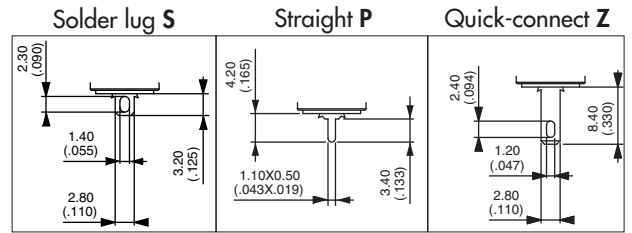
# IR series

## Sealed pushbutton switches - bushing Ø 16 mm - latching

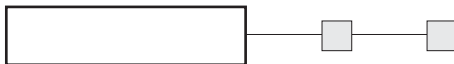
Square - non-illuminated



- Gold plated contacts (4 or 7)  
See electrical specifications.  
For high current, replace 4 with 7 in the P/Ns below.

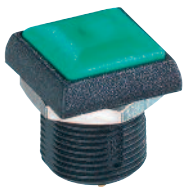


MODEL STRUCTURE



B1

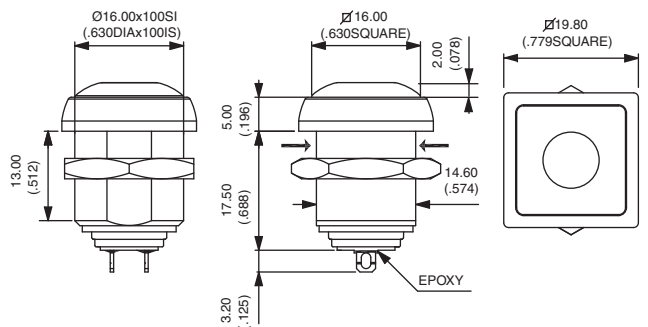
### Solder lug terminals



Curved actuator  
**IRC154**

OFF - ON

→ Flat



Also available with straight PC terminals : **IRC1P4**  
& quick-connect terminals : **IRC1Z4**.

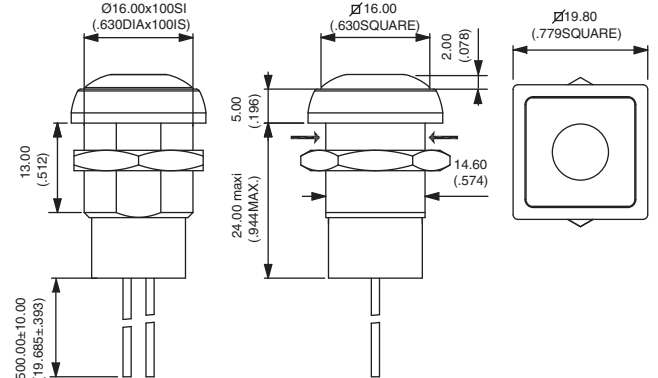
### Sealed flying lead terminals



Curved actuator  
**IRC1F4**

OFF - ON

→ Flat



### ACTUATOR COLOURS



1 : blue - B : dark blue - 2 : black - 3 : green - 4 : grey - 5 : yellow - 6 : red - 7 : white - 8 : bright chrome - 9 : orange  
A : satin chrome

### BUSHING AND BEZEL FINISH



2 : black (standard)