

MT series

Sealed selector switches

Distinctive features - Specifications

UG1410A



- Environmentally sealed selector switch (IP68)
- Multiple single functions available
- Various contact materials that allow usage from dry circuit applications up to 4A

ELECTRICAL AND GENERAL SPECIFICATIONS

- Max. current/voltage rating with resistive load :
 - Silver contacts (A) : 4A 30VDC
 - Gold plated silver contacts (AD) : 4A 30VDC (gold plating withstands up to 100mA 30VDC)
 - Gold plated brass contacts (CD) : 0,4VA 20VAC or DC
- Minimal load :
 - A contacts : 50mA 10VDC
 - AD and CD contacts : 10mA 50mV - 10 μ A 5V
- Initial contact resistance : 10m Ω max.
- Insulation resistance : 1.000 M Ω min. at 500VDC
- Dielectric strength : 1.000 Vrms 50Hz min. between terminals
1.500 Vrms 50Hz min. between terminals and frame
- Contact bounce : 2ms max.
- Electrical life at full load : 50.000 cycles
- Low level or mechanical life : 100.000 cycles
- Panel thickness : 11,5 mm (.452) max.
- Operating temperature : -40°C to +85°C

MATERIALS

- Actuator : 6/6 nylon
- Bushing : brass, chrome plated
- Contacts :
 - A : silver
 - AD : silver, gold plated
 - CD : brass, gold plated
- Terminal seal : epoxy

Dimensions : First dimensions are in mm while inches are shown as bracketed numbers.



Mounting accessories : Standard hardware supplied : 1 hex nut 20.64 mm (.813) across flats and 1 sealing gasket.



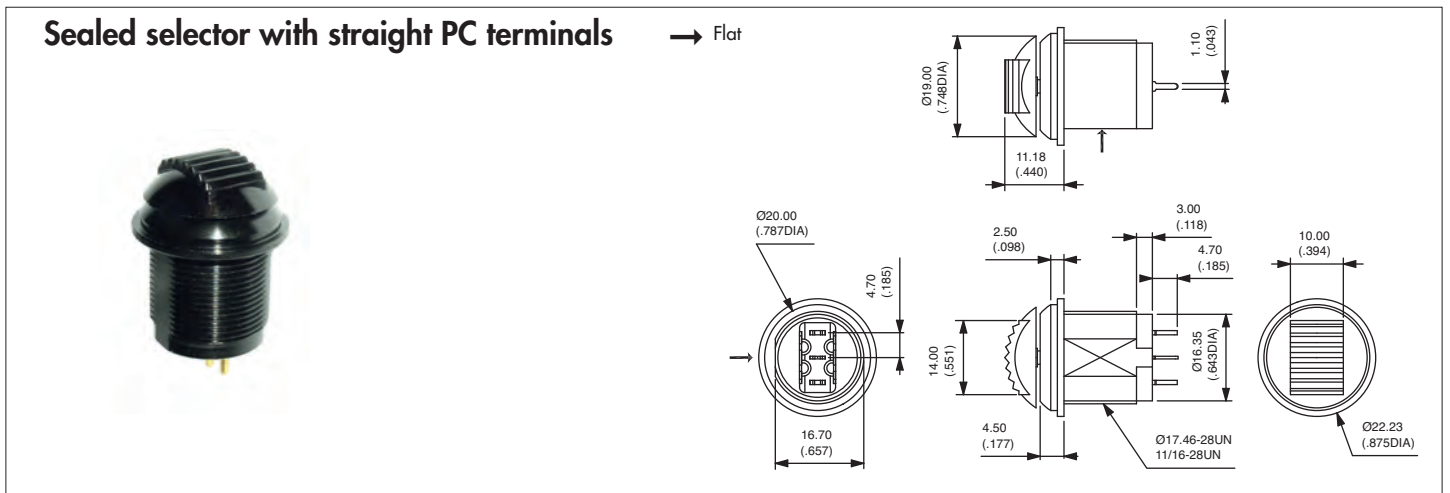
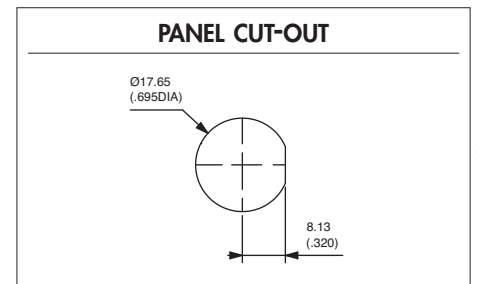
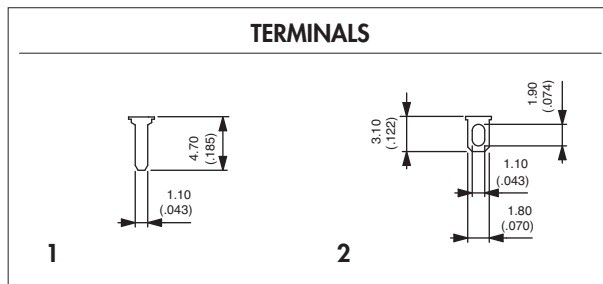
Packaging unit : 25 pieces or 50 pieces depending on model

The company reserves the right to change specifications without notice.

MT series

Sealed selector switches

MT																									
SERIES	Bushing finish		Terminals		Actuator colour																				
	Blank Bright chrome G Matt black (std)		1 Straight PC 2 Solder lug		2 Black Other : on request.																				
	Electrical functions			Contact materials																					
	<table border="1"> <tr><td>6</td><td>ON</td><td>-</td><td>ON</td></tr> <tr><td>9</td><td>ON</td><td>OFF</td><td>ON</td></tr> <tr><td>7</td><td>MOM</td><td>OFF</td><td>MOM</td></tr> <tr><td>8</td><td>ON</td><td>OFF</td><td>MOM</td></tr> <tr><td>2</td><td>ON</td><td>-</td><td>MOM</td></tr> </table>			6	ON	-	ON	9	ON	OFF	ON	7	MOM	OFF	MOM	8	ON	OFF	MOM	2	ON	-	MOM	A Silver AD Gold plated silver CD Gold plated brass	
6	ON	-	ON																						
9	ON	OFF	ON																						
7	MOM	OFF	MOM																						
8	ON	OFF	MOM																						
2	ON	-	MOM																						



To order a product, select the desired codes in the above overview.