
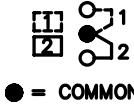
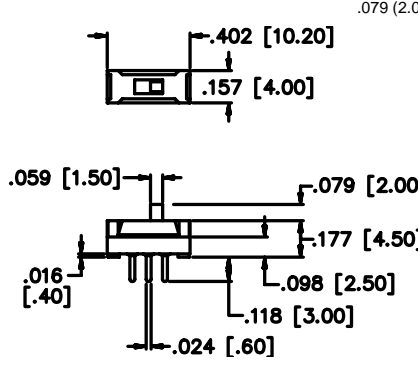
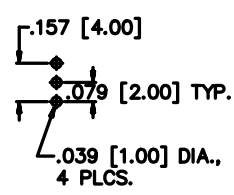

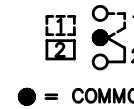
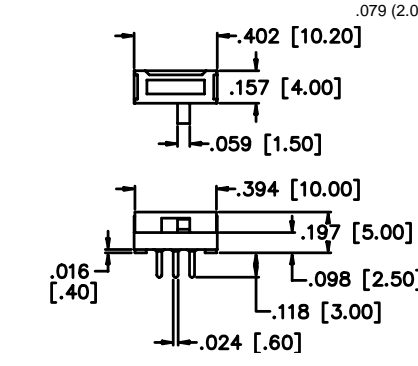
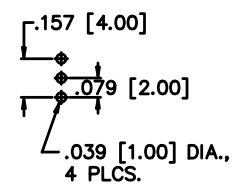
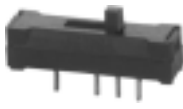
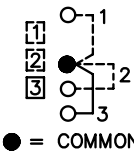
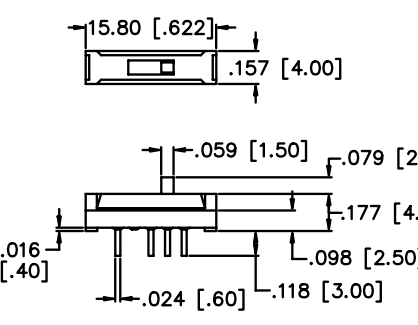
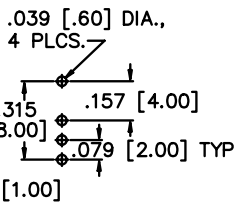


MJS Series

Microminiature Slide Switches

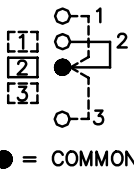
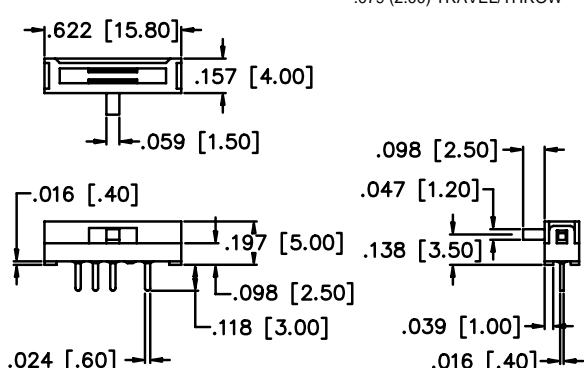
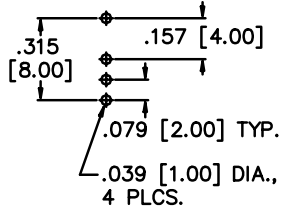
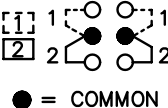
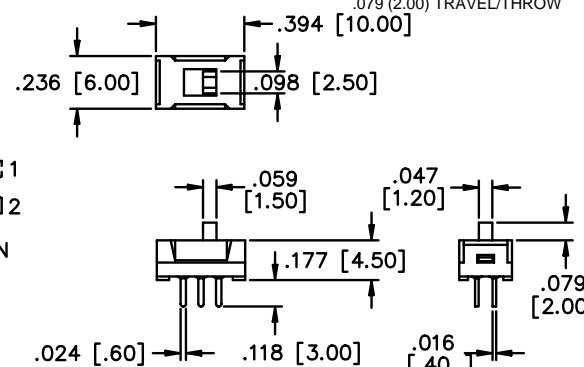
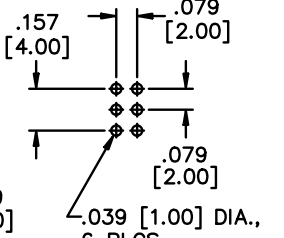
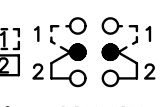
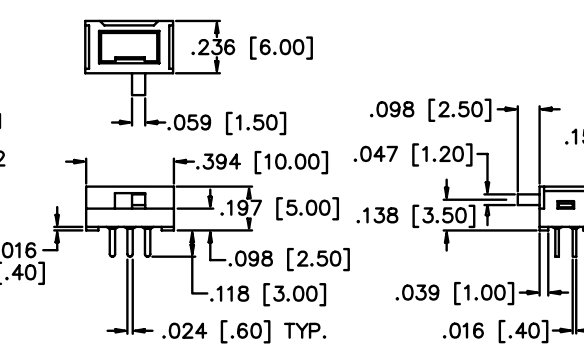
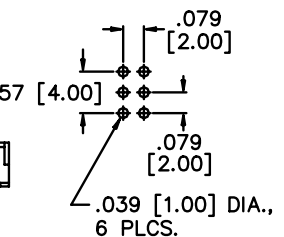
SPECIFICATIONS SUBJECT TO CHANGE WITHOUT NOTICE

SPECIFICATIONS	FEATURES
<p>Contact rating: 100 mA at 12 VDC</p> <p>Initial contact resistance: 20 milliohms max.</p> <p>Insulation resistance: 100 megohms min. at 500 VDC</p> <p>Dielectric strength: 500 volts RMS at sea level</p> <p>Electrical life: 10,000 cycles min.</p> <p>Operating temperature range: -10°C to +60°C</p> <p>Actuation force: 225g (average)</p> <p>Solder heat resistance: 260°C max. for 5 seconds</p> <p>Washing not recommended</p>	<ul style="list-style-type: none"> Molded-in terminals minimize flux or solder entry. Molded-in high temperature phenolic base. Low Profile. Bifurcated wiping contact design.
MATERIALS	
	<p>Contacts & terminals: Silver plated</p> <p>Case & actuator: Thermoplastic</p> <p>Terminal seal: Molded-in</p>

MODEL NO.	1P2T		
MJS12			
	 <p>● = COMMON</p>		
VERTICAL ACTUATOR	SCHEMATIC	MECHANICAL OUTLINE	P.C. BOARD LAYOUT
MODEL NO.	1P2T		
MJS12R			
	 <p>● = COMMON</p>		
RIGHT ANGLE ACTUATOR	SCHEMATIC	MECHANICAL OUTLINE	P.C. BOARD LAYOUT
MODEL NO.	1P3T		
MJS13			
	 <p>● = COMMON</p>		
VERTICAL ACTUATOR	SCHEMATIC	MECHANICAL OUTLINE	P.C. BOARD LAYOUT

MJS Series

Microminiature Slide Switches

<p>MODEL NO.</p> <p>MJS13R</p>	<p style="text-align: right;">.079 (2.00) TRAVEL/THROW</p> <div style="display: flex; justify-content: space-between;"> <div style="width: 30%;"> <p>1P3T</p>  <p>● = COMMON</p> <p>SCHEMATIC</p> </div> <div style="width: 35%;">  <p>MECHANICAL OUTLINE</p> </div> <div style="width: 30%;">  <p>P.C. BOARD LAYOUT</p> </div> </div> <p style="text-align: center;">RIGHT ANGLE ACTUATOR</p>
<p>MODEL NO.</p> <p>MJS22</p>	<p style="text-align: right;">.079 (2.00) TRAVEL/THROW</p> <div style="display: flex; justify-content: space-between;"> <div style="width: 30%;"> <p>2P2T</p>  <p>● = COMMON</p> <p>SCHEMATIC</p> </div> <div style="width: 35%;">  <p>MECHANICAL OUTLINE</p> </div> <div style="width: 30%;">  <p>P.C. BOARD LAYOUT</p> </div> </div> <p style="text-align: center;">VERTICAL ACTUATOR</p>
<p>MODEL NO.</p> <p>MJS22R</p>	<p style="text-align: right;">.079 (2.00) TRAVEL/THROW</p> <div style="display: flex; justify-content: space-between;"> <div style="width: 30%;"> <p>2P2T</p>  <p>● = COMMON</p> <p>SCHEMATIC</p> </div> <div style="width: 35%;">  <p>MECHANICAL OUTLINE</p> </div> <div style="width: 30%;">  <p>P.C. BOARD LAYOUT</p> </div> </div> <p style="text-align: center;">RIGHT ANGLE ACTUATOR</p>

SPECIFICATIONS SUBJECT TO CHANGE WITHOUT NOTICE