

IM series

Sealed snap-action pushbutton switches - bushing Ø 12 mm - momentary

Distinctive features and specifications

UG1410-A-R2



- Snap-action : tactile feedback with audible click
- High current/voltage rating
- Sealed to IP67
- Flat round actuator for optional marking

ENVIRONMENTAL SPECIFICATIONS

- Front panel sealing : IP67 according to IEC 60529
- Shock resistance : 50 g - 11 ms according to IEC 68-2-27
- Salt spray : IEC 512-6, test 11f
- Operating temperature : -40°C to +85°C
- Storage temperature : -40°C to +85°C

MATERIALS

- Case : polyamide 4/6
- Actuator : polyamide 6/6
- Bushing/bezel : polyamide 6/6
- Contacts : silver, gold plated
- Terminal seal : epoxy

ELECTRICAL SPECIFICATIONS

- Max. current/voltage rating with resistive load : 3A 28VDC
- Initial contact resistance : 100 mΩ max.
- Insulation resistance : 1 GΩ min. at 500VDC
- Dielectric strength : 500 Vrms between terminals
- Electrical life at full load : 25.000 cycles

AGENCY APPROVAL



1A 125VAC/250VAC
File E83438

Availability : consult factory for details of approved models.

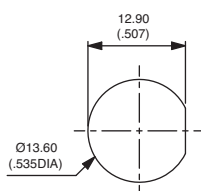
Marking : to order switches marked UL, complete appropriate box of ordering format.

GENERAL SPECIFICATIONS

- Panel thickness : 1,5 mm (.059) to 10 mm (.394)
- Total travel : 1,7 mm (.067) +/- 0,3 mm
- Low level or mechanical life : 1.000.000 cycles
- Torque (applied to nut) : 1 Nm max. with metal nut U166
1,5 Nm max. with plastic nut U4248

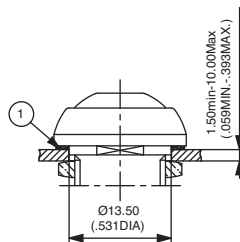
MOUNTING - STANDARD BEZEL

Panel cut-out

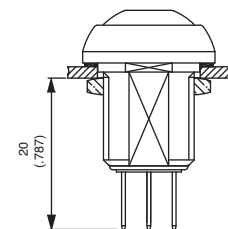


① Flat seal

Matrix mounting

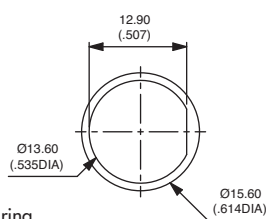


Back of panel space requirement



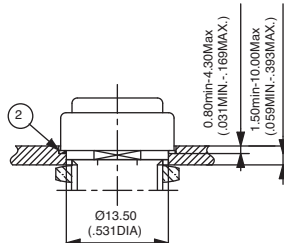
MOUNTING - REDUCED BEZEL

Panel cut-out

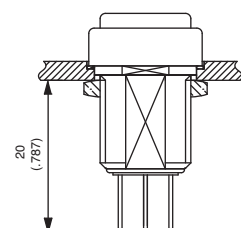


② O-ring

Matrix mounting



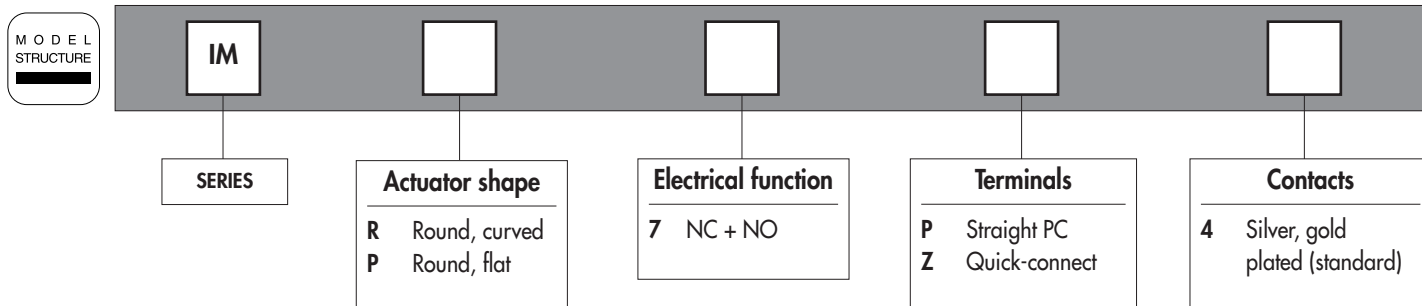
Back of panel space requirement



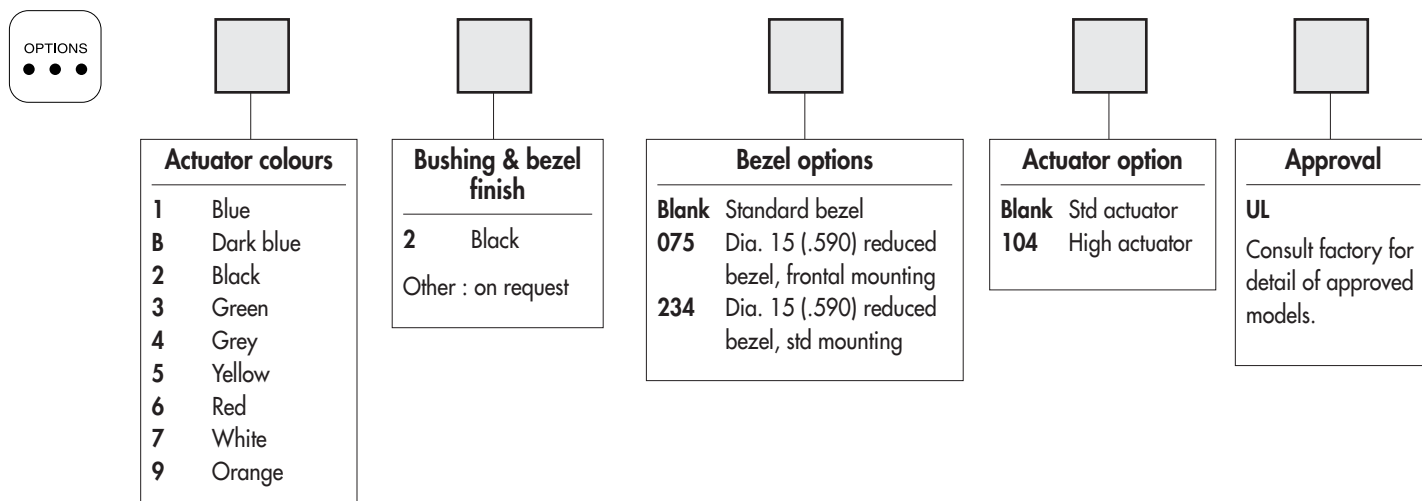
IM series

Sealed snap-action pushbutton switches - bushing Ø 12 mm - momentary

Overview



B1



ABOUT THIS SERIES

On the following pages, you will find successively :
model structure of switches and options in the same order as in above chart

Dimensions : first dimensions are in mm while inches are shown as bracketed numbers.



NOTICE : please note that not all combinations of above numbers are available. Refer to the following pages for further information.



A sealing boot is available to protect the switches against frost and sand (P/N U5125). It is presented after the IA series and in section H.



Mounting accessories : Standard hardware supplied : 1 flat seal (standard bezel) or 1 O-ring (reduced bezel) and 1 metal hex nut 14 mm (.551) across flats. Hex nut part number U166. Plastic nut 17 mm (.669) across flats, thickness 4 mm (.157) available on request. Part number U4248.



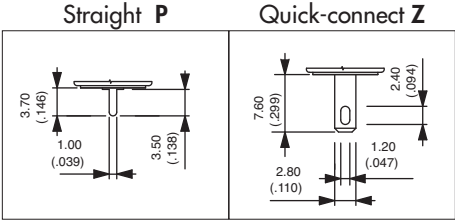
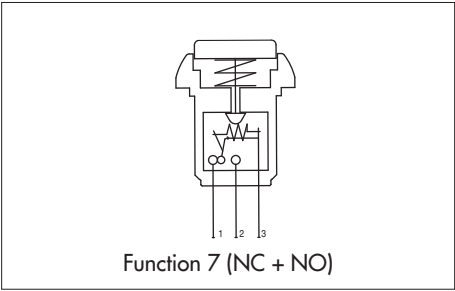
Packaging unit : 50 pieces

The company reserves the right to change specifications without notice.

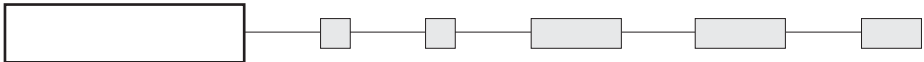
IM series

Sealed snap-action pushbutton switches - bushing Ø 12 mm - momentary

Round - non-illuminated



MODEL STRUCTURE



Actuator marking available on IMP models (symbol 10 mm max.). On request.


Common terminal identified by a horizontal dash

B1

Standard bezel - straight PC terminals




Curved actuator
IMR7P4

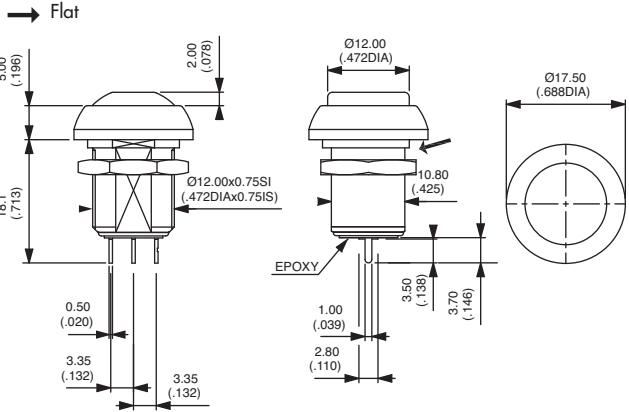


NC+NO

Flat actuator
IMP7P4




NC+NO



Standard bezel - quick-connect terminals




Curved actuator
IMR7Z4

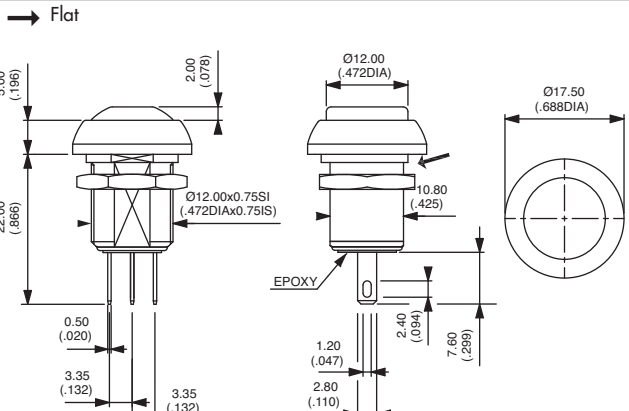


NC+NO

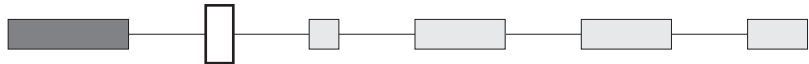
Flat actuator
IMP7Z4



NC+NO

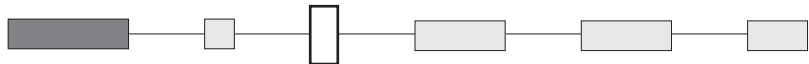


ACTUATOR COLOURS



1 : blue - B : dark blue - 2 : black - 3 : green - 4 : grey - 5 : yellow - 6 : red - 7 : white - 9 : orange

BUSHING AND BEZEL COLOURS



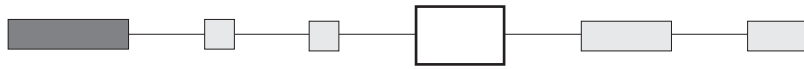
2 : black (standard)
Other : on request

IM series

Sealed snap-action pushbutton switches - bushing Ø 12 mm - momentary

Options

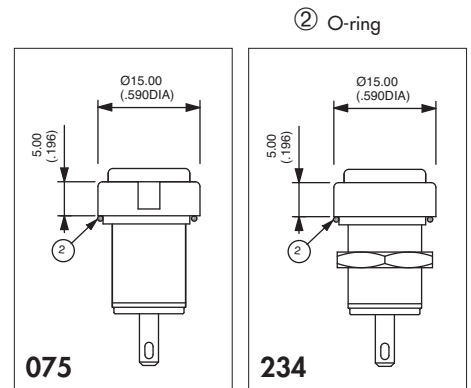
BEZEL OPTIONS



Blank Standard bezel

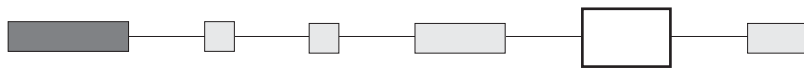
075 Dia. 15 (.590) reduced bezel, mounting of the switch from the front into a threaded panel cut-out

234 Dia. 15 (.590) reduced bezel, standard mounting



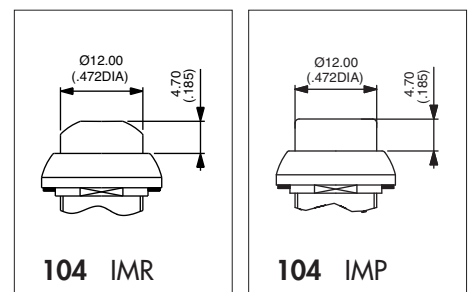
B1

ACTUATOR OPTION

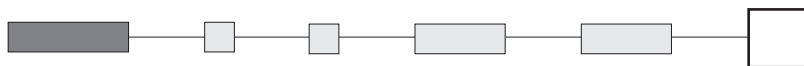


Blank Standard actuator

104 High actuator



AGENCY APPROVAL



UL

Availability : consult factory for details of approved models.

Marking : to order switches marked UL, complete above box with "UL".