

# 9000 series

## Momentary pushbutton switches

*Distinctive features and specifications*

UG1410A



- Two case lengths
- Three electrical functions
- Sealing options
- Model X1146 with  $\varnothing$  16 (.630) bushing

B2

### ELECTRICAL SPECIFICATIONS

- Max. current/voltage rating with resistive load :
  - silver contact (A) : 1A 30VDC
  - gold plated contacts (CD) : 100mA 30VDC
- Initial contact resistance : 50 m $\Omega$  max.
- Insulation resistance : 1.000 M $\Omega$  min. at 500VDC
- Dielectric strength :
  - 1.000 Vrms 50 Hz min. between terminals
  - 1.500 Vrms 50 Hz min. between terminals and frame
- Electrical life : 250.000 cycles

### MATERIALS

- Case : thermoplastique UL94-V0
- Actuator : polyamide, glass filled
- Bushing : brass, nickel plated
- Contacts :
  - A : silver
  - CD : brass, gold plated
- Terminal seal : epoxy

### GENERAL SPECIFICATIONS

- Total travel :

9600-9400-9400Y		9600N-9400N
Functions 3 and 5	Function 2	Function 3
1,3 mm	2 mm	0,9 mm

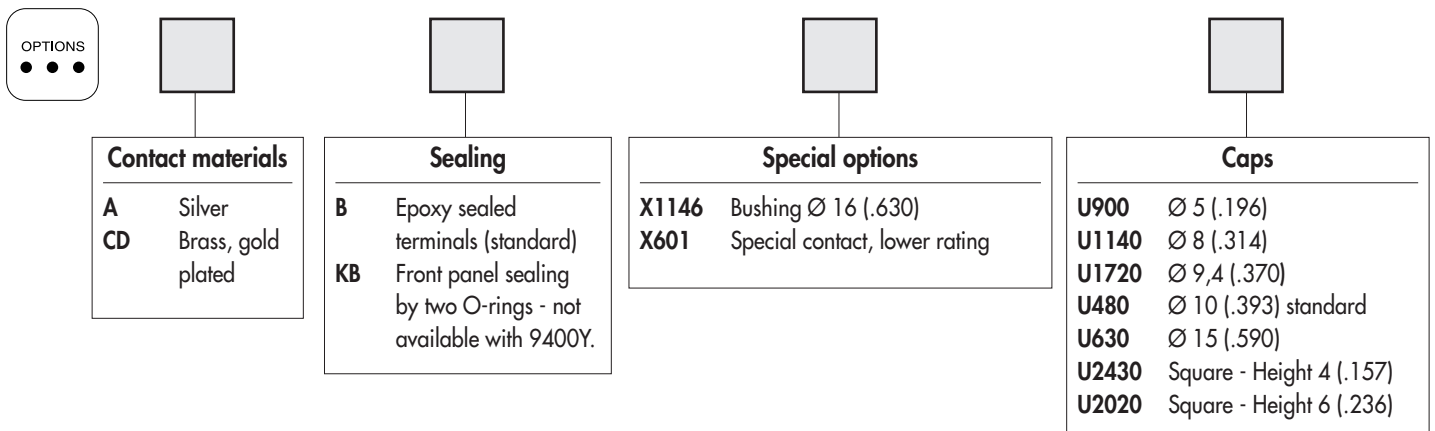
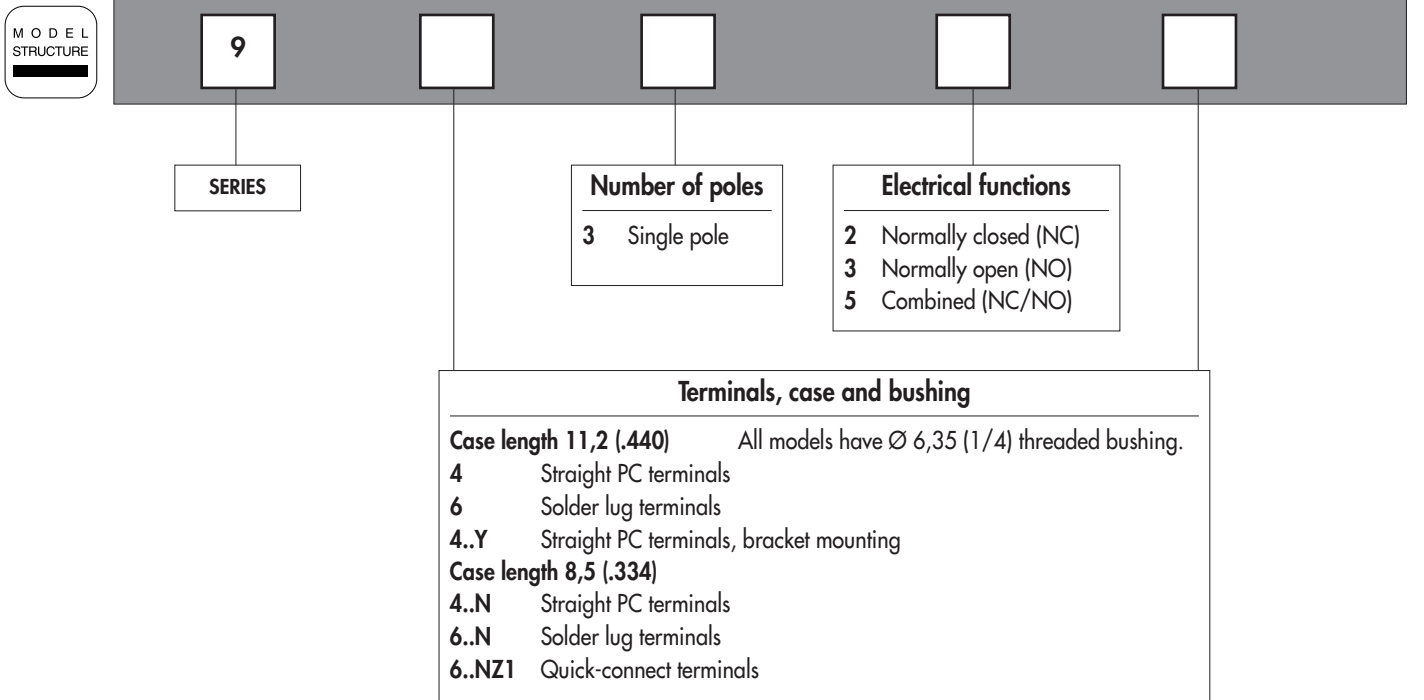
- Torque : 1,25 Nm (.922 Ft.lb) max. applied to nut
- Operating temperature : -30°C to +65°C

The company reserves the right to change specifications without notice.

# 9000 series

## Momentary pushbutton switches

Overview



### ABOUT THIS SERIES

On the following pages, you will find successively :

- model structure of switches
- their options in the same order as in above chart

**Dimensions** : first dimensions are in mm while inches are shown as bracketed numbers.



**NOTICE** : please note that not all combinations of above numbers are available. Refer to the following pages for further information.



**Sealing boots** are available to protect the switches against dust and water. They are presented in section H.



**Mounting accessories** : standard hardware supplied with all switches : 2 hex nuts 8 mm (.314) across flats and 1 lockwasher. Standard and special hardware available are presented in section I.

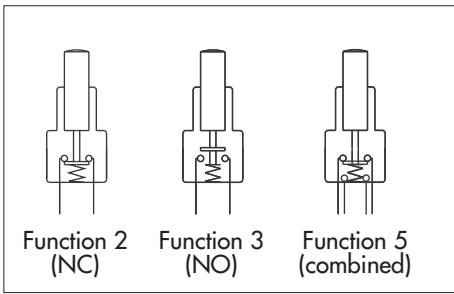


**Packaging unit** : 50 pieces, except for 9400Y (25 pieces)

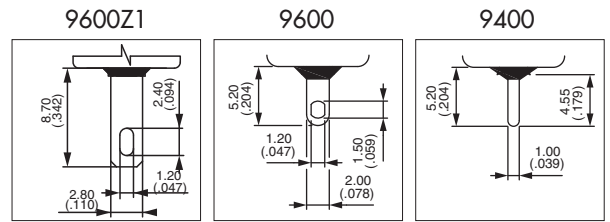
# 9000 series

## Momentary pushbutton switches

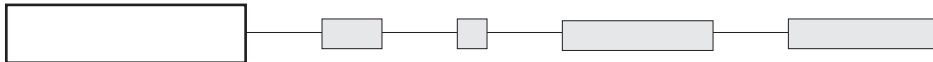
9600 - 9400 - 9400Y



- Single pole
- Solder lug or straight PC terminals
- Epoxy sealed terminals



### MODEL STRUCTURE

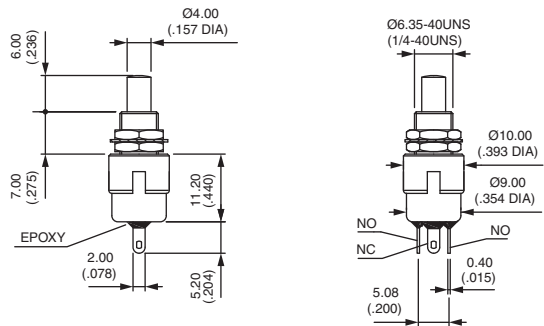


B2

### Solder lug terminals - case length 11,2 (.440) : 9600



- |              |  |                   |
|--------------|--|-------------------|
| <b>9632B</b> |  | Normally Closed   |
| <b>9635B</b> |  | Combined function |

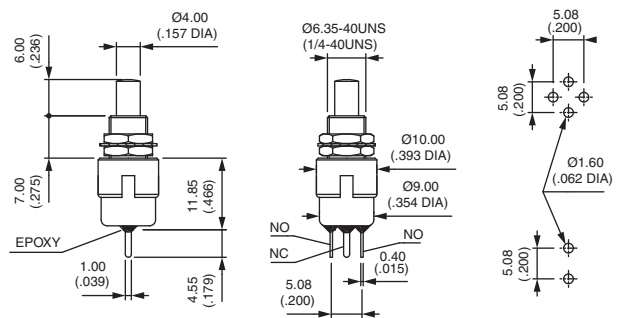


For Normally Open (function 3), see next page.

### Straight PC terminals - case length 11,2 (.440) : 9400



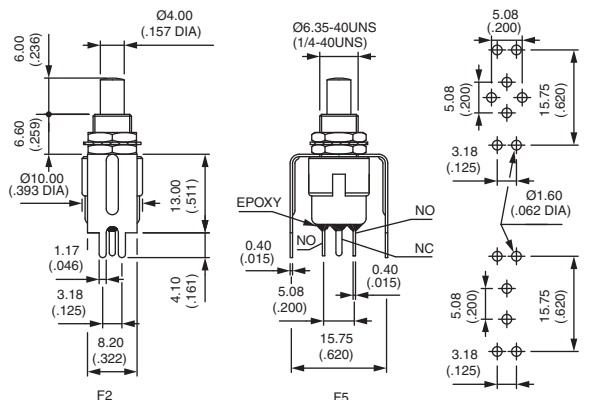
- |              |  |                   |
|--------------|--|-------------------|
| <b>9432B</b> |  | Normally Closed   |
| <b>9433B</b> |  | Normally Open     |
| <b>9435B</b> |  | Combined function |



### Bracket mounting - case length 11,2 (.440) : 9400Y



- |               |  |                   |
|---------------|--|-------------------|
| <b>9432YB</b> |  | Normally Closed   |
| <b>9433YB</b> |  | Normally Open     |
| <b>9435YB</b> |  | Combined function |



The bracket is not fastened to the switch.



# 9000 series

## Momentary pushbutton switches

9600N - 9400N

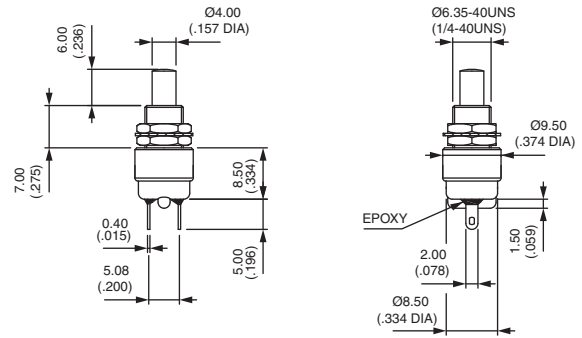
### Solder lug terminals - case length 8,5 (.334) : 9600N



9633NB



Normally Open



Also available with quick-connect terminals 2,8 x 0,5 mm : 9633NZ1

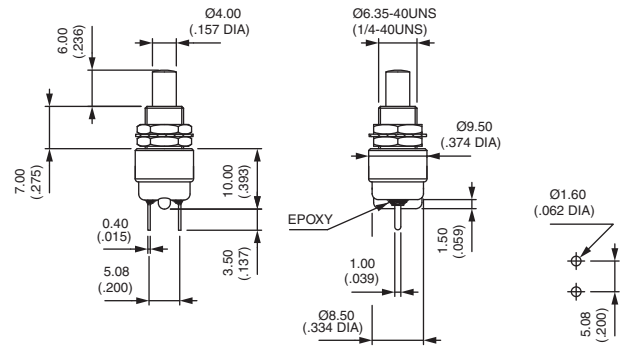
### Straight PC terminals - case length 8,5 (.334) : 9400N



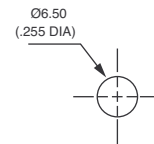
9433NB



Normally Open



### PANEL CUT-OUT



### Bushing Ø 16 (.630) - metal button : 9633•X1146



Silver contacts  
9633ABX1146

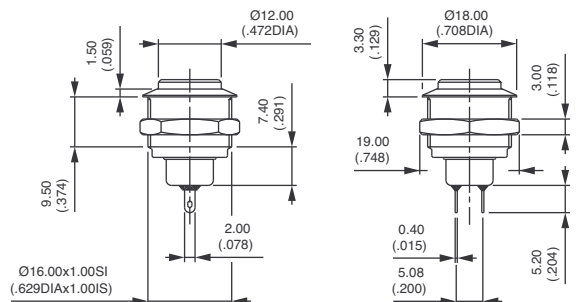


Normally open

Gold plated silver contacts  
9633ADBx1146



Normally open



Hex nut 19 (.748) across flats

Panel cut-out : Ø 16,2 (.637)

Max. current/voltage rating. : 1A 30VDC

Epoxy sealed terminals. Options of the following pages not applicable.

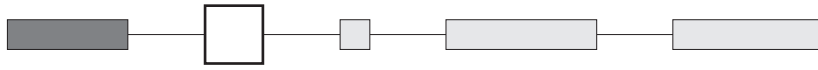
# 9000 series

## Momentary pushbutton switches

OPTIONS



### CONTACT MATERIALS



- A Silver
- CD Brass, gold plated

Special contact, lower rating : see X601 under "Special options".

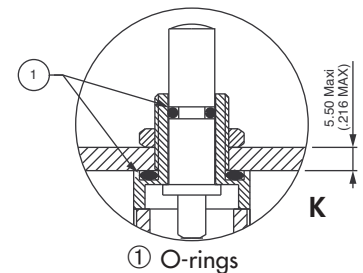
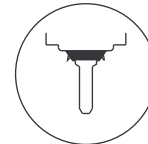
### SEALING



- B Epoxy sealed terminals (standard)
- KB Combined sealings  
Epoxy sealed terminals + front panel sealing by two O-rings.  
Protects the switch against water and dust.  
Panel seal withstands 0,1 bar pressure.

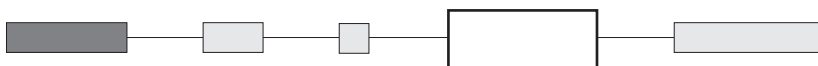


Option KB not available on 9400Y model.



Sealing boots : see section H.

### SPECIAL OPTIONS



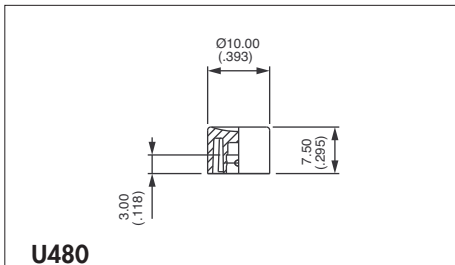
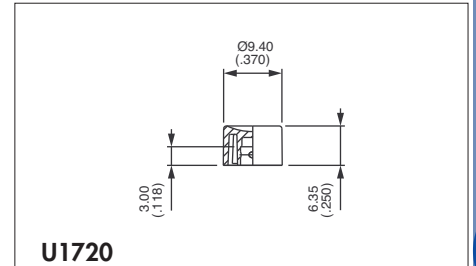
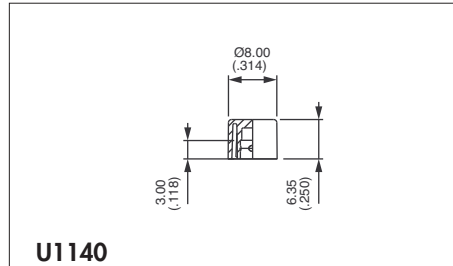
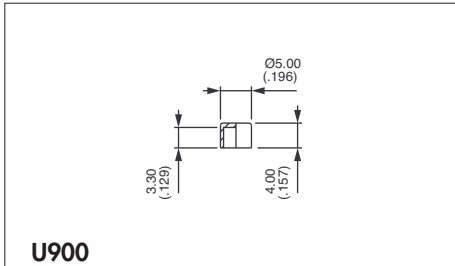
- X601 **Silver plated brass contacts**  
Current/voltage rating for an electrical life of 20.000 cycles : 0,5A 30VDC.  
Minimum quantity : 5.000 pieces per model and shipment.
- X1146 **Model with dia. 16 (.630) bushing and metal plunger**  
See previous page.



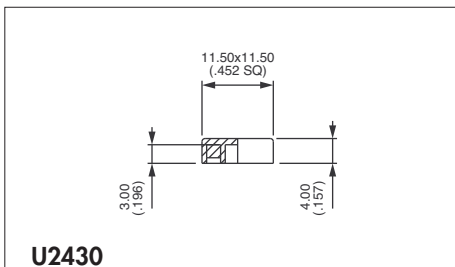
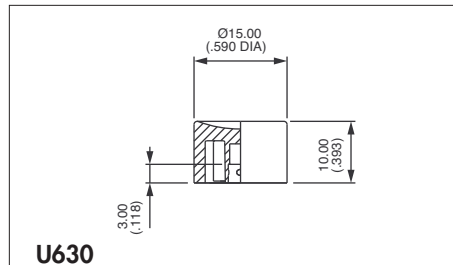
# 9000 series

## Momentary pushbutton switches

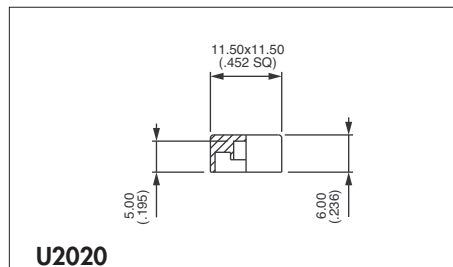
### CAPS



Standard



Square

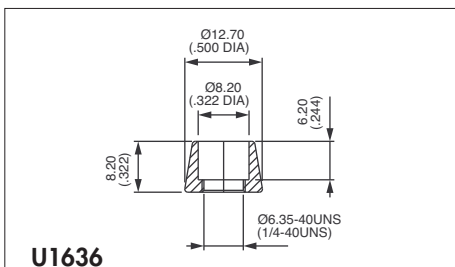


Square

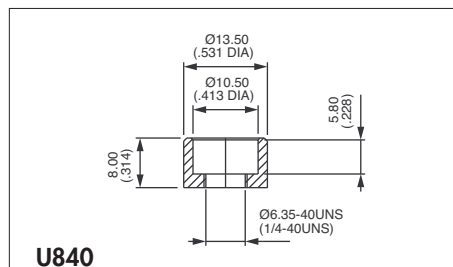
Cap colours	
Replace last "0" by number	
1	blue
1/4	dark blue
2	black
3	green
4	grey
5	yellow
6	red
7	ivory
7/1	white
9	orange

### DRESS NUTS

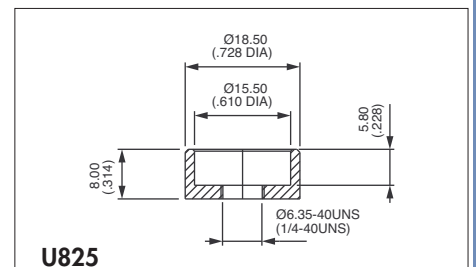
Chrome plated. Order separately.



For cap U1140



For cap U480



For cap U630

# 9000 series

## Alternate action or momentary pushbutton switches

*Distinctive features and specifications*



❑ Bushing Ø 6,35 (1/4) and 11,9 (15/32)

❑ Two electrical functions

B2

### ELECTRICAL SPECIFICATIONS

- Max. current/voltage rating with resistive load and electrical life :
  - silver contacts (A) : 1A 28VDC - 250.000 cycles
  - 3A 28VDC - 10.000 cycles
  - gold plated contacts (CD) : 0,4VA 20V max. AC or DC
- Initial contact resistance : 10 mΩ max. at 0,1A 3VDC
- Insulation resistance : 10.000 MΩ min.
- Dielectric strength :  
1.000 Vrms 50 Hz min.

### MATERIALS

- Case : diallyphthalate
- Actuator : nylon  
black for series 9630M  
white for series 9631
- Bushing : brass, nickel plated
- Contacts :
  - A** : silver
  - CD** : brass, gold plated
- Terminal seal : epoxy

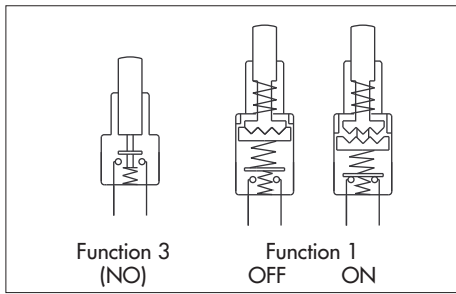
### GENERAL SPECIFICATIONS

- Operating temperature : -30°C to +85°C
- Travels : see table below.

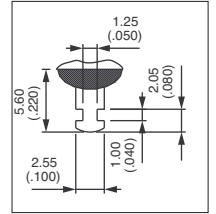
MODELS	9631	9633M
Total travel	3,48 (.137)	2,79 (.110)
Pre-travel	0,66 (.026)	-
Over travel	2,69 (.106)	0,51 (.020)

# 9000 series

## Alternate action or momentary pushbutton switches



- Single pole
- Solder lug terminals
- Epoxy sealed terminals



B2

### Bushing Ø 6,35 (1/4) - Alternate action - tactile feedback

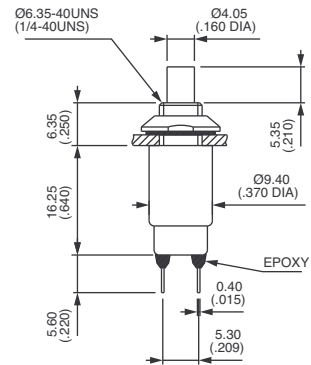


Gold plated contacts  
**9631CDB**

ON - OFF

Silver contacts  
**9631AB**

ON - OFF



Standard hardware : 1 conic nut and 1 lockwasher

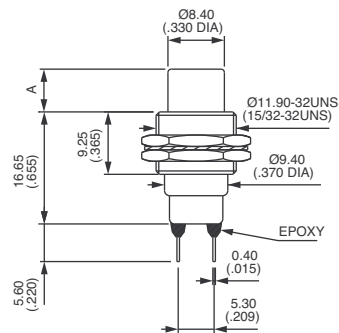
### Bushing Ø 11,9 (15/32) - front or rear mounting - NO



**9633MCDB**



Normally open



MODEL	A
9633M	6.35 (.250)

Standard hardware : 2 hex nuts 14 mm (.551) across flats and 1 lockwasher