
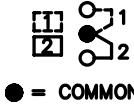
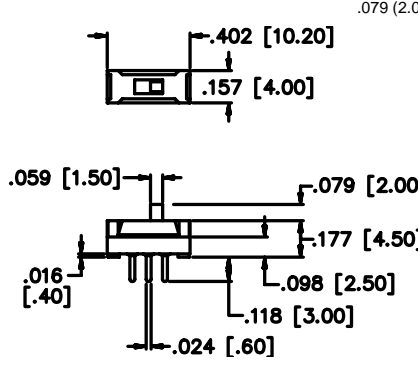
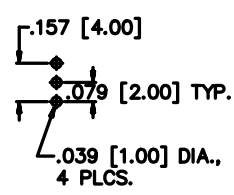

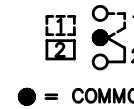
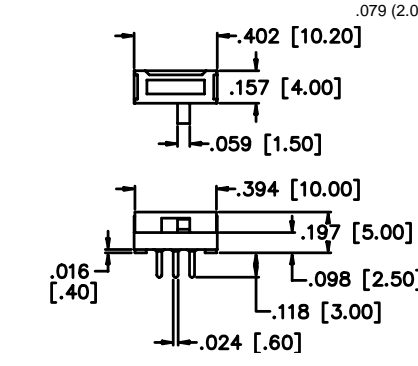
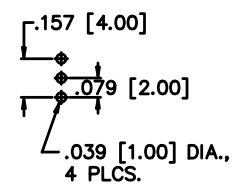
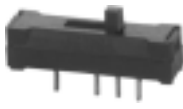
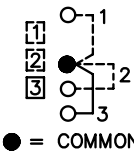
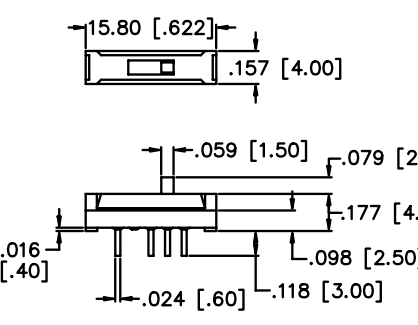
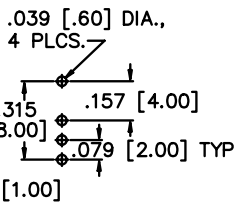


# MJS Series

## Microminiature Slide Switches

SPECIFICATIONS SUBJECT TO CHANGE WITHOUT NOTICE


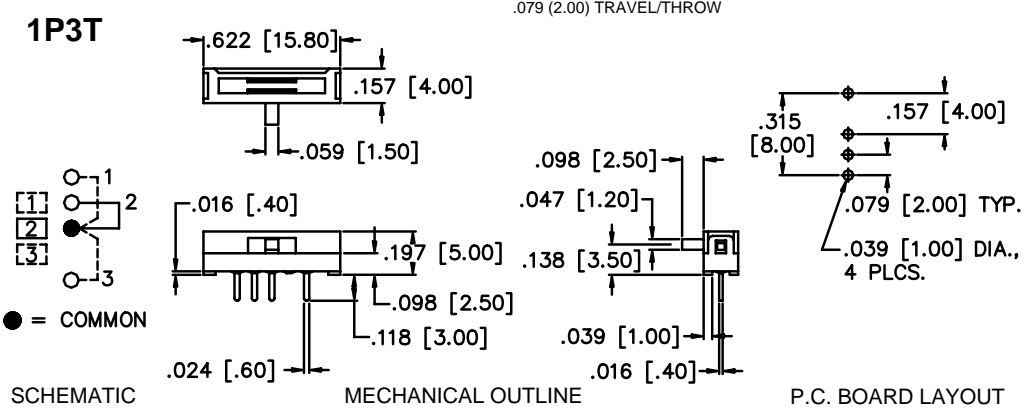

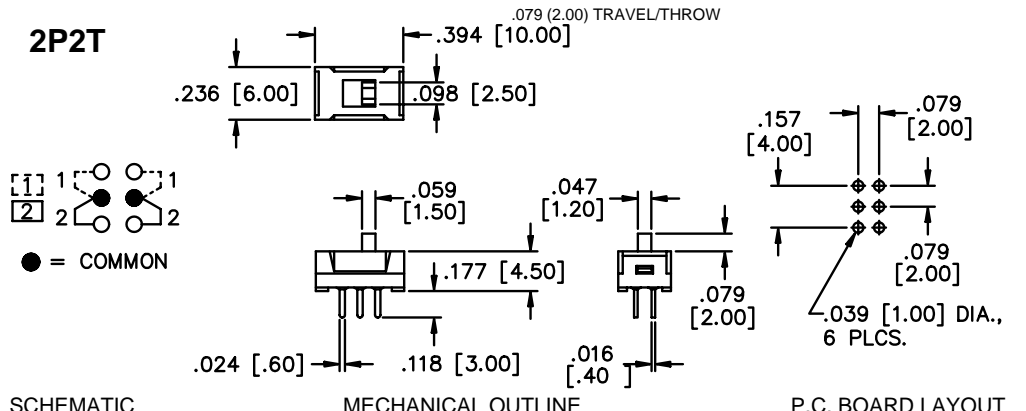

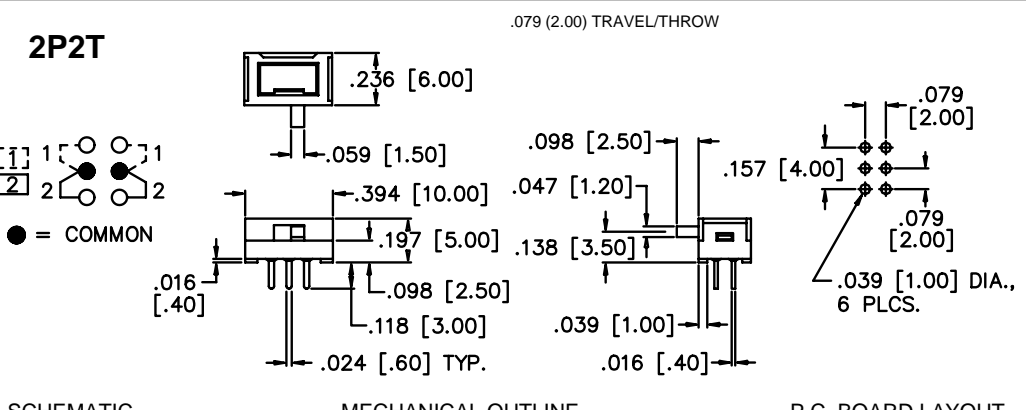
SPECIFICATIONS	FEATURES
<p><b>Contact rating:</b> 100 mA at 12 VDC</p> <p><b>Initial contact resistance:</b> 20 milliohms max.</p> <p><b>Insulation resistance:</b> 100 megohms min. at 500 VDC</p> <p><b>Dielectric strength:</b> 500 volts RMS at sea level</p> <p><b>Electrical life:</b> 10,000 cycles min.</p> <p><b>Operating temperature range:</b> -10°C to +60°C</p> <p><b>Actuation force:</b> 225g (average)</p> <p><b>Solder heat resistance:</b> 260°C max. for 5 seconds</p> <p><b>Washing not recommended</b></p>	<ul style="list-style-type: none"> <li>Molded-in terminals minimize flux or solder entry.</li> <li>Molded-in high temperature phenolic base.</li> <li>Low Profile.</li> <li>Bifurcated wiping contact design.</li> </ul>
MATERIALS	
	<p><b>Contacts &amp; terminals:</b> Silver plated</p> <p><b>Case &amp; actuator:</b> Thermoplastic</p> <p><b>Terminal seal:</b> Molded-in</p>

MODEL NO.			
MJS12			
	<p><b>1P2T</b></p>  <p>● = COMMON</p>	<p style="text-align: right;">.079 (2.00) TRAVEL/THROW</p> 	
VERTICAL ACTUATOR	SCHEMATIC	MECHANICAL OUTLINE	P.C. BOARD LAYOUT
MODEL NO.			
MJS12R			
	<p><b>1P2T</b></p>  <p>● = COMMON</p>	<p style="text-align: right;">.079 (2.00) TRAVEL/THROW</p> 	
RIGHT ANGLE ACTUATOR	SCHEMATIC	MECHANICAL OUTLINE	P.C. BOARD LAYOUT
MODEL NO.			
MJS13			
	<p><b>1P3T</b></p>  <p>● = COMMON</p>	<p style="text-align: right;">.079 (2.00) TRAVEL/THROW</p> 	
VERTICAL ACTUATOR	SCHEMATIC	MECHANICAL OUTLINE	P.C. BOARD LAYOUT

# MJS Series

## Microminiature Slide Switches

SPECIFICATIONS SUBJECT TO CHANGE WITHOUT NOTICE

<p><b>MODEL NO.</b></p> <p><b>MJS13R</b></p>  <p>RIGHT ANGLE ACTUATOR</p>	<p style="text-align: right;">.079 (2.00) TRAVEL/THROW</p> <p><b>1P3T</b></p>  <p>● = COMMON</p> <p>SCHEMATIC      MECHANICAL OUTLINE      P.C. BOARD LAYOUT</p>
<p><b>MODEL NO.</b></p> <p><b>MJS22</b></p>  <p>VERTICAL ACTUATOR</p>	<p style="text-align: right;">.079 (2.00) TRAVEL/THROW</p> <p><b>2P2T</b></p>  <p>● = COMMON</p> <p>SCHEMATIC      MECHANICAL OUTLINE      P.C. BOARD LAYOUT</p>
<p><b>MODEL NO.</b></p> <p><b>MJS22R</b></p>  <p>RIGHT ANGLE ACTUATOR</p>	<p style="text-align: right;">.079 (2.00) TRAVEL/THROW</p> <p><b>2P2T</b></p>  <p>● = COMMON</p> <p>SCHEMATIC      MECHANICAL OUTLINE      P.C. BOARD LAYOUT</p>