
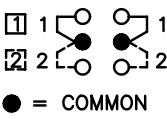
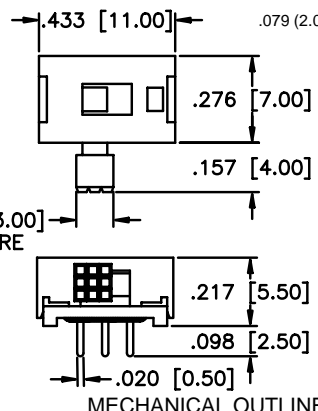
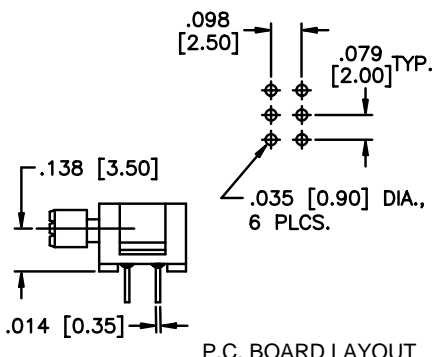

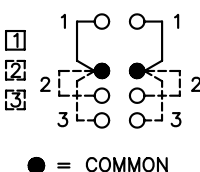
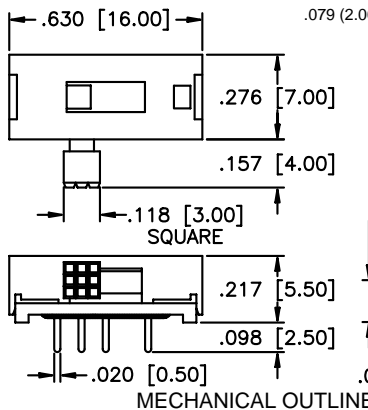
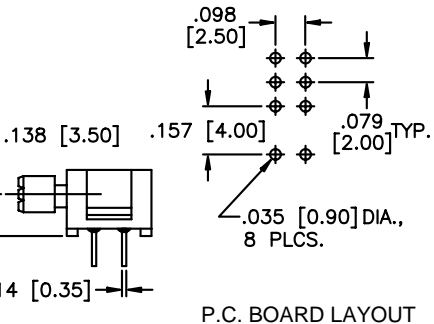

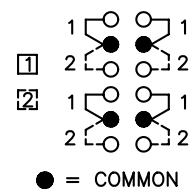
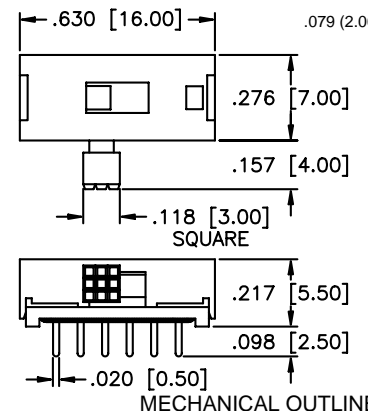
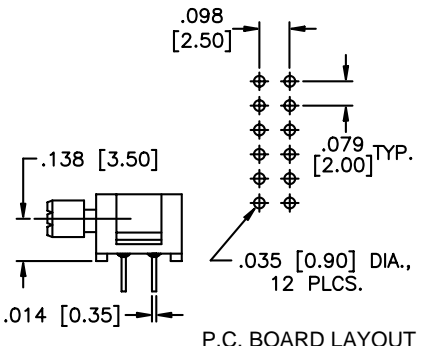


MMS Series

Microminiature Slide Switches

SPECIFICATIONS SUBJECT TO CHANGE WITHOUT NOTICE


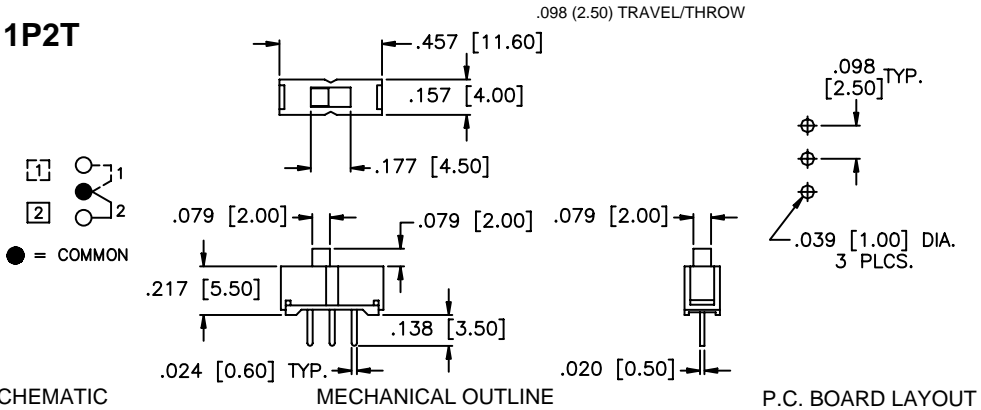

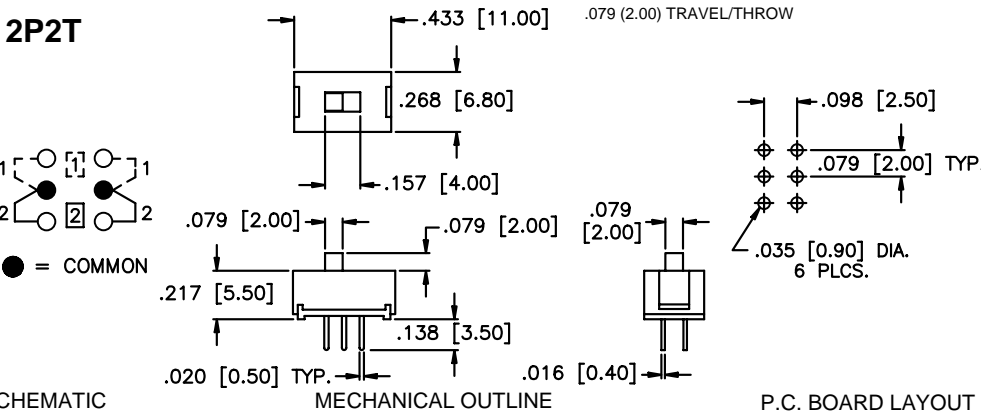

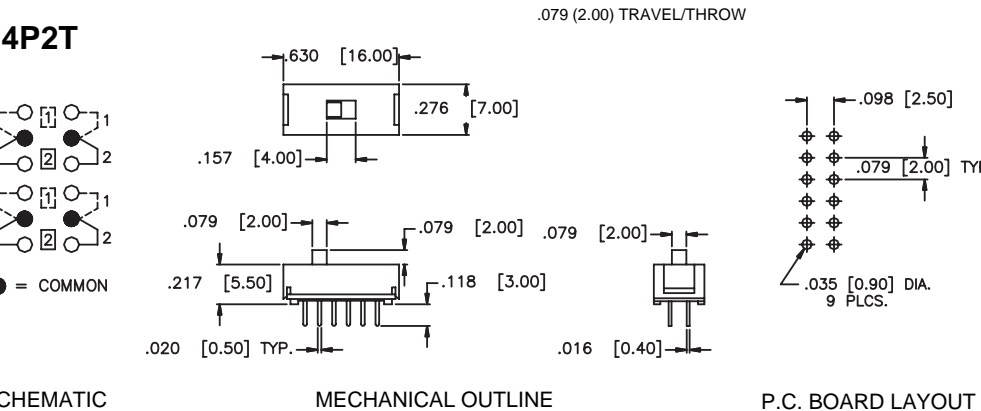

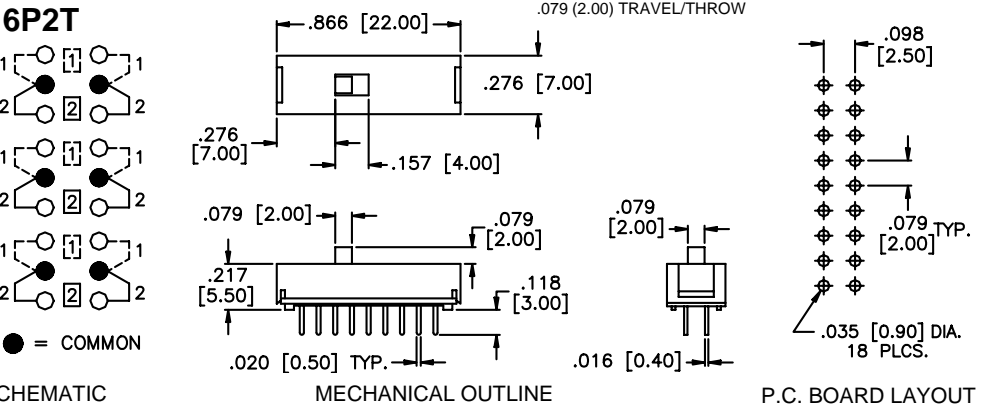
SPECIFICATIONS	FEATURES
<p>Contact ratings: 300 mA at 30 VDC</p> <p>Initial contact resistance: 25 milliohms max.</p> <p>Insulation resistance: 100 megohms min. at 500 VDC</p> <p>Dielectric strength: 500 volts RMS for 1 minute</p> <p>Electrical life: 10,000 cycles min.</p> <p>Operating temperature range: -20°C to +70°C</p> <p>Solder heat resistance: 255°C max. for 5 seconds max.</p> <p>Washing not recommended</p>	<ul style="list-style-type: none"> ● Bifurcated wiping contact design. ● Low Profile. ● Epoxy sealed terminals. ● Cosmetic molded case.
MATERIALS	
<p>Contacts & terminals: Silver plated</p> <p>Case: Polyacetal</p> <p>Actuator: PBT Base: Glass filled PBT</p> <p>Terminal seal: Epoxy or phenol resin</p>	

MODEL NO.			
MMS22R			
 <p>RIGHT ANGLE ACTUATOR</p>	<p>2P2T</p>  <p>● = COMMON</p>	 <p>MECHANICAL OUTLINE</p>	 <p>P.C. BOARD LAYOUT</p>
MODEL NO.			
MMS23R			
 <p>RIGHT ANGLE ACTUATOR</p>	<p>2P3T</p>  <p>● = COMMON</p>	 <p>MECHANICAL OUTLINE</p>	 <p>P.C. BOARD LAYOUT</p>
MODEL NO.			
MMS42R			
 <p>RIGHT ANGLE ACTUATOR</p>	<p>4P2T</p>  <p>● = COMMON</p>	 <p>MECHANICAL OUTLINE</p>	 <p>P.C. BOARD LAYOUT</p>

MMS Series

Microminiature Slide Switches

SPECIFICATIONS SUBJECT TO CHANGE WITHOUT NOTICE

<p>MODEL NO.</p> <p>MMS1208</p>  <p>VERTICAL ACTUATOR</p>	<p style="text-align: right;">.098 (2.50) TRAVEL/THROW</p> <p>1P2T</p>  <p>SCHEMATIC MECHANICAL OUTLINE P.C. BOARD LAYOUT</p>
<p>MODEL NO.</p> <p>MMS2214</p>  <p>VERTICAL ACTUATOR</p>	<p style="text-align: right;">.079 (2.00) TRAVEL/THROW</p> <p>2P2T</p>  <p>SCHEMATIC MECHANICAL OUTLINE P.C. BOARD LAYOUT</p>
<p>MODEL NO.</p> <p>MMS42</p>  <p>VERTICAL ACTUATOR</p>	<p style="text-align: right;">.079 (2.00) TRAVEL/THROW</p> <p>4P2T</p>  <p>SCHEMATIC MECHANICAL OUTLINE P.C. BOARD LAYOUT</p>
<p>MODEL NO.</p> <p>MMS6202</p>  <p>VERTICAL ACTUATOR</p>	<p style="text-align: right;">.079 (2.00) TRAVEL/THROW</p> <p>6P2T</p>  <p>SCHEMATIC MECHANICAL OUTLINE P.C. BOARD LAYOUT</p>