



**SIZE :**

80x80x25mm (3.15"x3.15"x0.98")

**CONSTRUCTION :**

Glass fiber reinforced plastic:  
Impeller and housing PBT are UL 94V-0 rating

**OPERATING TEMPERATURE :**

Ball bearing - 30°C to + 75°C  
Sleeve bearing - 10°C to + 70°C

**INSULATION RESISTANCE :**

10meg Ohm min. at 500 VDC  
(between frame and terminal)

**DIELECTRIC STRENGTH :**

5mA max. at 500 VAC 60Hz one minute  
(between frame and terminal)

**FUNCTION :**

auto-restart option  
frequency generator or rotation detection signal option

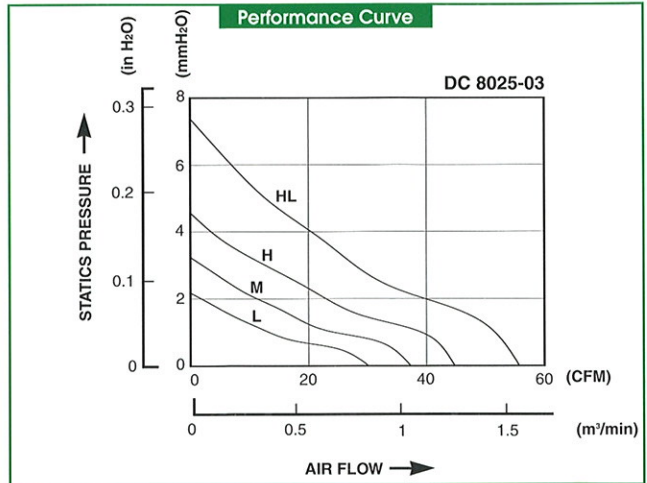
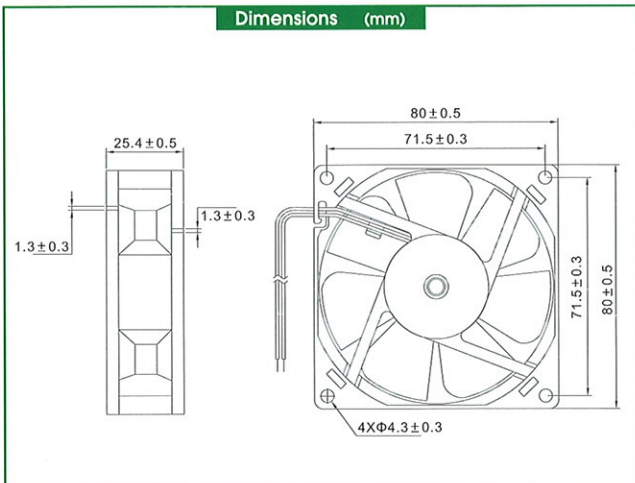
**WEIGHT :**

85 grams

**Specifications**

Specifications are subject to change without notice

| MODEL NO.     | BEARING | RATED VOLTAGE | OPERATING VOLTAGE RANGE | RATED CURRENT | RATED INPUT POWER | SPEED<br>R.P.M. | MAX. AIR FLOW      |       | MAX. AIR PRESSURE  |                     | NOISE<br>dB-A |
|---------------|---------|---------------|-------------------------|---------------|-------------------|-----------------|--------------------|-------|--------------------|---------------------|---------------|
|               |         | VDC           | V                       | A             | W                 |                 | m <sup>3</sup> min | CFM   | mmH <sub>2</sub> O | IN H <sub>2</sub> O |               |
| BP802512L-03  | Ball    | 12            | 10.2-13.8               | 0.15          | 1.8               | 2100            | 0.75               | 26.4  | 2.13               | 0.08                | 23.7          |
| SP802512L-03  | Sleeve  |               |                         |               |                   |                 |                    |       |                    |                     |               |
| BP802512M-03  | Ball    | 12            | 10.2-13.8               | 0.2           | 2.4               | 2700            | 0.96               | 34    | 3.16               | 0.12                | 32            |
| SP802512M-03  | Sleeve  |               |                         |               |                   |                 |                    |       |                    |                     |               |
| BP802512H-03  | Ball    | 12            | 10.2-13.8               | 0.3           | 3.6               | 3300            | 1.17               | 41.37 | 4.38               | 0.17                | 36.8          |
| SP802512H-03  | Sleeve  |               |                         |               |                   |                 |                    |       |                    |                     |               |
| BP802512HL-03 | Ball    | 12            | 10.2-13.8               | 0.4           | 4.8               | 4000            | 1.48               | 52.5  | 7.1                | 0.28                | 41.88         |
| SP802512HL-03 | Sleeve  |               |                         |               |                   |                 |                    |       |                    |                     |               |





# DC 8025-03



**SIZE :**

80x80x25mm (3.15"x3.15"x0.98")

**CONSTRUCTION :**

Glass fiber reinforced plastic:  
Impeller and housing PBT are UL 94V-0 rating

**OPERATING TEMPERATURE :**

Ball bearing - 30°C to + 75°C  
Sleeve bearing - 10°C to + 70°C

**INSULATION RESISTANCE :**

10meg Ohm min. at 500 VDC  
(between frame and terminal)

**DIELECTRIC STRENGTH :**

5mA max. at 500 VAC 60Hz one minute  
(between frame and terminal)

**FUNCTION :**

auto-restart option  
frequency generator or rotation detection signal option

**WEIGHT :**

85 grams

## Specifications

Specifications are subject to change without notice

| MODEL NO.     | BEARING | RATED VOLTAGE | OPERATING VOLTAGE RANGE | RATED CURRENT | RATED INPUT POWER | SPEED<br>R.P.M. | MAX. AIR FLOW       |      | MAX. AIR PRESSURE  |                     | NOISE<br>dB-A |
|---------------|---------|---------------|-------------------------|---------------|-------------------|-----------------|---------------------|------|--------------------|---------------------|---------------|
|               |         | VDC           | V                       | A             | W                 |                 | m <sup>3</sup> /min | CFM  | mmH <sub>2</sub> O | IN H <sub>2</sub> O |               |
| BP802524L-03  | Ball    | 24            | 20.4-27.6               | 0.12          | 2.88              | 2100            | 0.8                 | 26.4 | 2.1                | 0.9                 | 23.7          |
| SP802524L-03  | Sleeve  |               |                         |               |                   |                 |                     |      |                    |                     |               |
| BP802524M-03  | Ball    | 24            | 20.4-27.6               | 0.17          | 4.08              | 2700            | 1.0                 | 34.0 | 3.2                | 0.1                 | 32.0          |
| SP802524M-03  | Sleeve  |               |                         |               |                   |                 |                     |      |                    |                     |               |
| BP802524H-03  | Ball    | 24            | 20.4-27.6               | 0.21          | 5.04              | 3300            | 1.2                 | 41.4 | 4.4                | 0.2                 | 36.8          |
| SP802524H-03  | Sleeve  |               |                         |               |                   |                 |                     |      |                    |                     |               |
| BP802524HL-03 | Ball    | 24            | 20.4-27.6               | 0.25          | 6.00              | 4000            | 1.5                 | 52.5 | 7.1                | 0.3                 | 41.9          |
| SP802524HL-03 | Sleeve  |               |                         |               |                   |                 |                     |      |                    |                     |               |
| BP802548M-03  | Ball    | 48            | 40.8-55.2               | 0.12          | 5.76              | 2700            | 1.0                 | 34.0 | 3.2                | 0.1                 | 32.0          |
| SP802548M-03  | Sleeve  |               |                         |               |                   |                 |                     |      |                    |                     |               |
| BP802548H-03  | Ball    | 48            | 40.8-55.2               | 0.15          | 7.20              | 3300            | 1.2                 | 41.4 | 4.4                | 0.2                 | 36.8          |
| SP802548H-03  | Sleeve  |               |                         |               |                   |                 |                     |      |                    |                     |               |
| BP802548HL-03 | Ball    | 48            | 40.8-55.2               | 0.18          | 8.64              | 4000            | 1.5                 | 52.5 | 7.1                | 0.3                 | 41.9          |
| SP802548HL-03 | Sleeve  |               |                         |               |                   |                 |                     |      |                    |                     |               |

